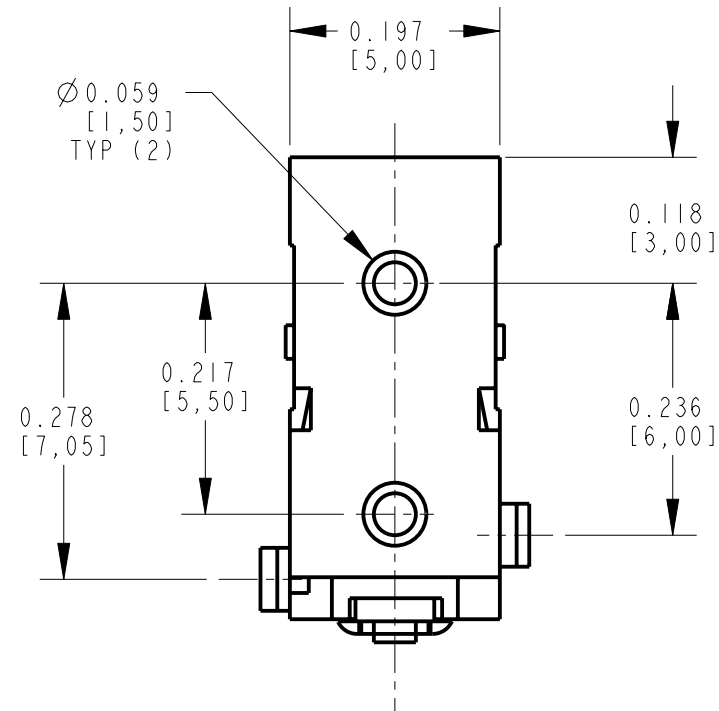
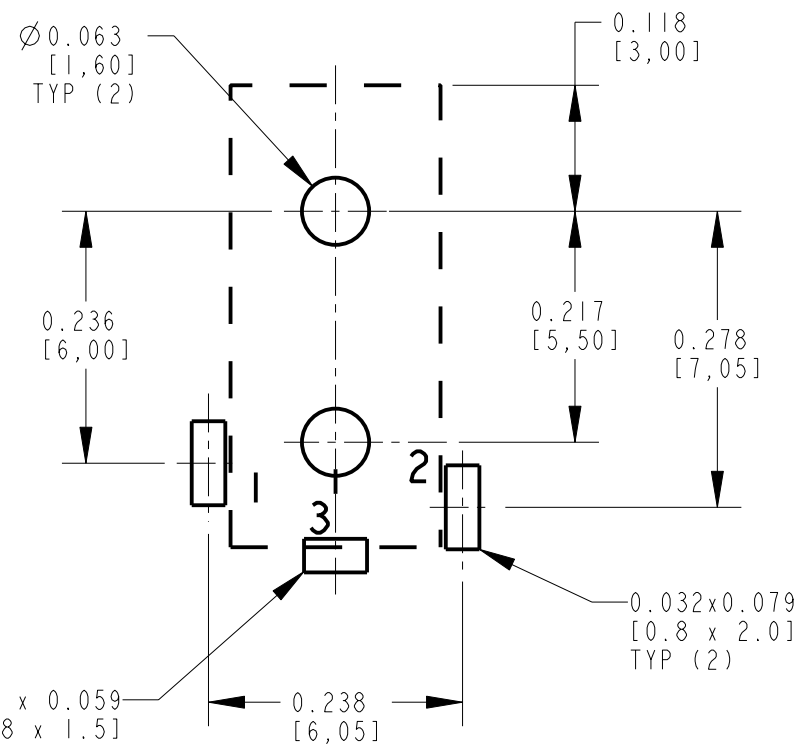


SCHMATIC



NOTES:

1. ALL DIMENSIONS ARE REFERENCE.
2. MATERIALS:
HOUSING: THERMOPLASTIC, BLACK
SPRING CONTACT: COPPER ALLOY, SILVER PLATED
SHUNT TERMINAL: COPPER ALLOY, SILVER PLATED
CENTER PIN: COPPER ALLOY, SILVER PLATED
3. THIS PRODUCT IS RoHS COMPLIANT

CUSTOMER DRAWING

PC BOARD LAYOUT
COMPONENT SIDE

| | | | | | | | | | | | | | | | | | | | | | | | | | | | | | | | | | | | | | | | | | | | | |
|-----|--|--|--|--|---|--|--|--|--|--|--|----------|--|----------|------|------------|--|--------|--|--|--|--|--|--|----------|--|--|--|--|----------|--|--|--|--|-----|--|--|--|--|---|--|--|--|--|
| | | | | | ★ STAR SYMBOL DENOTES CRITICAL DIMENSION | | | | | THIS DRAWING DESCRIBES A DESIGN CONSIDERED PROPRIETARY IN NATURE, DEVELOPED AND MANUFACTURED BY SWITCHCRAFT INC. AND IS RELEASED ON A CONFIDENTIAL BASIS FOR IDENTIFICATION PURPOSES ONLY. | | | | | | | | | | | | | | | | | | | | | | | | | | | | | | | | | | |
| | | | | | UNLESS OTHERWISE SPECIFIED | | | | | SIZE | | WIDTH | | MULT | | LBS/M | | TEMPER | | | | | | | | | | | | | | | | | | | | | | | | | | |
| | | | | | 1. ALL DIMENSIONS IN INCHES - TWO PLACE DECIMALS ±0.01 - THREE PLACE DECIMALS ±0.005 - ANGLES ±1° - ALL DIA. CONCENTRIC WITHIN 0.005 T.I.R. | | | | | FINISH | | SPEC No. | | MATERIAL | | SPEC No. | | | | | | | | | | | | | | | | | | | | | | | | | | | | |
| | | | | | 2. FEATURES ON THE SAME CENTERLINE MUST BE ALIGNED WITHIN ±0.002 | | | | | FIRST USED ON | | SCALE | | | | SHEET OF | | | | | | | | | | | | | | | | | | | | | | | | | | | | |
| | | | | | 3. REMOVE ALL BURRS | | | | | DATE DRAWN | | BY | | | | CHKD | | APVD | | | | | | | | | | | | | | | | | | | | | | | | | | |
| A | | | | | 25129 | | | | | 9-9-05 | | JL | | MW | | 09-Sep-05 | | 9-9-05 | | | | | | | | | | | | | | | | | | | | | | | | | | |
| REV | | | | | ECO NUMBER | | | | | DATE | | | | | BY | | | | | APVD | | | | | | | | | | | | | | | | | | | | | | | | |
| | | | | | REVISIONS | | | | | DO NOT SCALE DRAWING | | | | | NAME | | | | | RIGHT ANGLE PCB DC JACK Ø0.65mm PIN, RoHS | | | | | PART No. | | | | | RAPC752X | | | | | REV | | | | | A | | | | |

X-ON Electronics

Largest Supplier of Electrical and Electronic Components

Click to view similar products for [DC Power Connectors](#) category:

Click to view products by [Switchcraft](#) manufacturer:

Other Similar products are found below :

[RAPC3FG](#) [B04P-VL-VN-1.8](#) [1600206-1](#) [163-0302](#) [163-0310-EX](#) [163-4024](#) [163-4117-EX](#) [163-5005-E](#) [163-7421](#) [171-0721-EX](#) [171-3118-EX](#) [173-23507-ST-EX](#) [KLDVX-SMT-02-ATR](#) [KLDX-SMT-0202-BP](#) [KLDX-SMT-0202-BPTR](#) [163-0179-EX](#) [163-0307-E](#) [163-4119-E](#) [171-0722-E](#) [171-3218-EX](#) [171-7391](#) [173-3413-ST-EX](#) [RAPCBRK](#) [K596](#) [KLD-0201-BC](#) [KLDVX-SMT-02-BTR](#) [KPPX-D](#) [TPCF-140-01-L-Q-4-RA](#) [RAPC3MHG](#) [RASM752TRX](#) [163-4800-E](#) [4C6831AX](#) [TS3PNJ](#) [DC-025LM-5A-2.5](#) [CL14218R](#) [AS250F RED](#) [DC-105-4A-1.6](#) [09441 AS120-F](#) [09442 AS120-M](#) [CP30240](#) [TAMIYA-M](#) [TAMIYA-MT1](#) [TAMIYA-MT2](#) [4840.1200](#) [4840.2202](#) [C5080HI-04P-18 + C5080HI-C](#) [JC-138](#) [JPO-25 \(FC6814\)](#) [JYO-26 \(FC6811\)](#) [JYO-29 \(FC68102\)](#)