

NOTES:

1. THIS PRODUCT IS RoHS COMPLIANT
2. ALL DIMENSIONS ARE REFERENCE.
3. MATERIALS:
 HOUSING: THERMOPLASTIC, BLACK
 SPRING CONTACT: COPPER ALLOY, SILVER PLATED
 SHUNT TERMINAL: COPPER ALLOY, SILVER PLATED
 CENTER PIN: COPPER ALLOY, SILVER PLATED
 SHIELD: STEEL, NICKEL PLATED

CUSTOMER DRAWING

PC BOARD LAYOUT
COMPONENT SIDE

REV	ECO NUMBER	DATE	BY	APVD
A	25129	9-8-05	JL	MW
REVISIONS				

★ STAR SYMBOL DENOTES CRITICAL DIMENSION

UNLESS OTHERWISE SPECIFIED

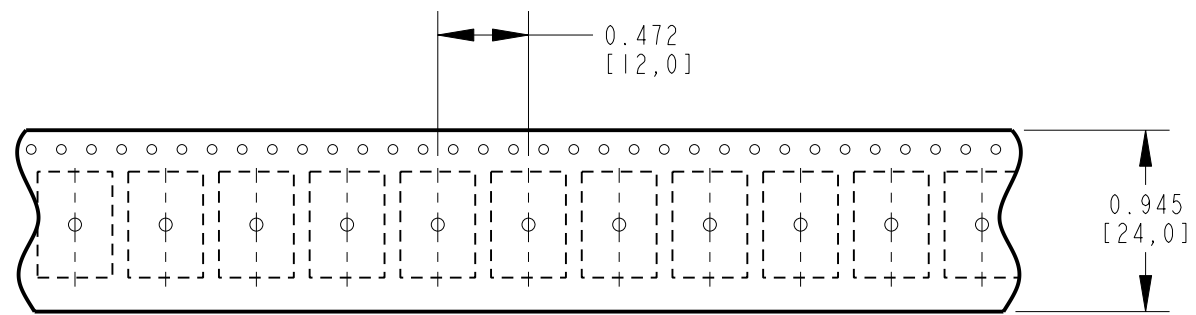
1. ALL DIMENSIONS IN INCHES
 - TWO PLACE DECIMALS ±0.01
 - THREE PLACE DECIMALS ±0.005
 - ANGLES ±1°
 - ALL DIA. CONCENTRIC WITHIN 0.005 T.I.R.
2. FEATURES ON THE SAME CENTERLINE MUST BE ALIGNED WITHIN ±0.002
3. REMOVE ALL BURRS

DO NOT SCALE DRAWING

THIS DRAWING DESCRIBES A DESIGN CONSIDERED PROPRIETARY IN NATURE, DEVELOPED AND MANUFACTURED BY SWITCHCRAFT INC. AND IS RELEASED ON A CONFIDENTIAL BASIS FOR IDENTIFICATION PURPOSES ONLY.										
SIZE		WIDTH		MULT		LBS/M		TEMPER		
FINISH						MATERIAL				
SPEC No.						SPEC No.				
FIRST USED ON				SCALE		Switchcraft [®]				
				5 : 1						
DATE DRAWN	BY	CHKD	APVD							
08-Sep-05	JL	MW	MW							
			9-8-05	9-8-05	SHEET 1 OF 2					
NAME RIGHT ANGLE SMT DC JACK SHIELDED, Ø0.65mm PIN, RoHS								PART No.		REV
								RASM752STRX		A

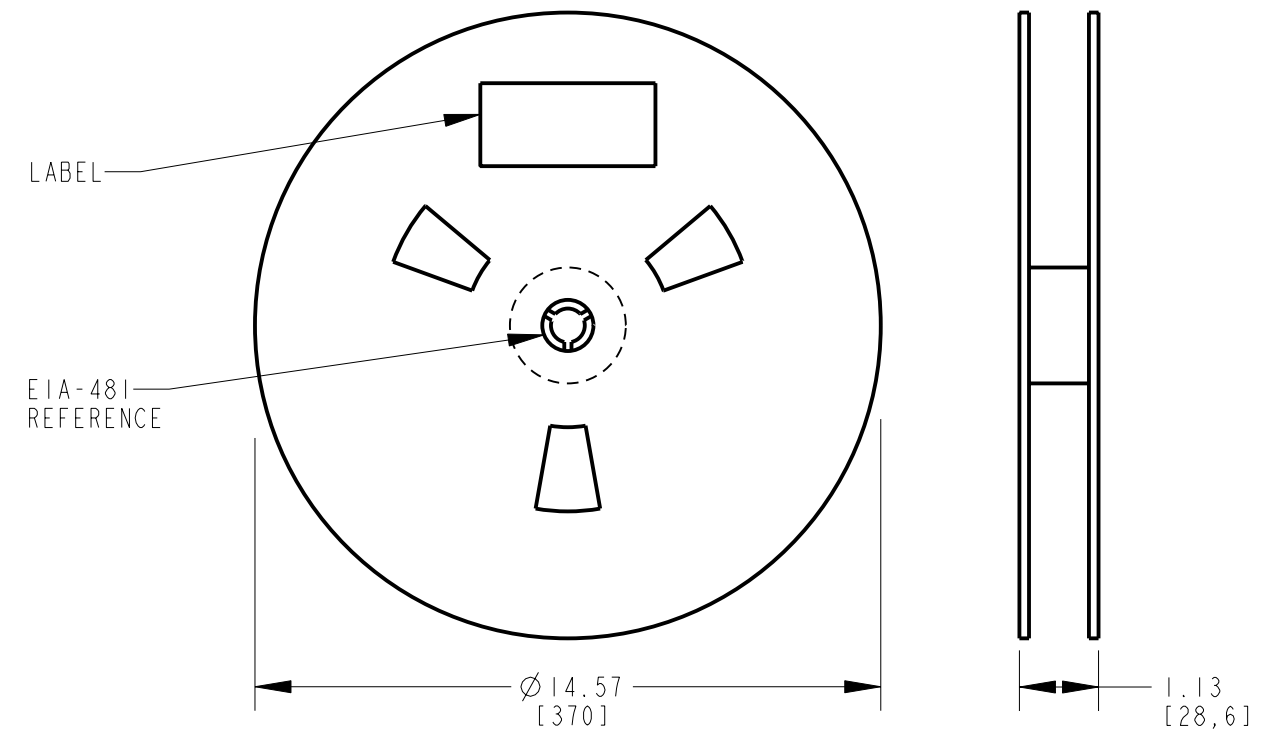
A: CARRIER SIZE

1. DETAIL SIZES REFERENCE: EIA-481
2. SPECIFICATION: 24 MM X 12 MM
3. COVER TAPE: SPECIFICATION ATTACHED (CONDUCTIVE)



B: REEL SIZE

1. QUANTITY: 1000 PCS/REEL
2. MATERIAL: THERMOPLASTIC



SCALE	Switchcraft [®]	
DATE DRAWN 08-Sep-05		
DRAWN BY JL	PART No. RASM752STRX	REV A

SHEET 2 OF 2

X-ON Electronics

Largest Supplier of Electrical and Electronic Components

Click to view similar products for [DC Power Connectors](#) category:

Click to view products by [Switchcraft](#) manufacturer:

Other Similar products are found below :

[RAPC3FG](#) [B04P-VL-VN-1.8](#) [1600206-1](#) [163-0302](#) [163-0310-EX](#) [163-4024](#) [163-4117-EX](#) [163-5005-E](#) [163-7421](#) [171-0721-EX](#) [171-3118-EX](#) [173-23507-ST-EX](#) [KLDVX-SMT-02-ATR](#) [KLDX-SMT-0202-BP](#) [KLDX-SMT-0202-BPTR](#) [163-0179-EX](#) [163-0307-E](#) [163-4119-E](#) [171-0722-E](#) [171-3218-EX](#) [171-7391](#) [173-3413-ST-EX](#) [RAPCBRK](#) [K596](#) [KLD-0201-BC](#) [KLDVX-SMT-02-BTR](#) [KPPX-D](#) [RAPC3MHG](#) [RASM752TRX](#) [163-4800-E](#) [4C6831AX](#) [ACJS-HHDR-AU](#) [TS3PNJ](#) [DC-025LM-5A-2.5](#) [CL14218R](#) [AS250F RED](#) [DC-105-4A-1.6](#) [163-0210A-E](#) [09441 AS120-F](#) [09442 AS120-M](#) [CP30240](#) [TAMIYA-M](#) [TAMIYA-MT1](#) [TAMIYA-MT2](#) [4840.1200](#) [4840.2202](#) [C5080HI-04P-18](#)
[+ C5080HI-C](#) [JC-138](#) [JPO-25 \(FC6814\)](#) [JYO-26 \(FC6811\)](#)