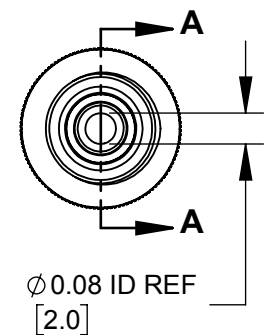
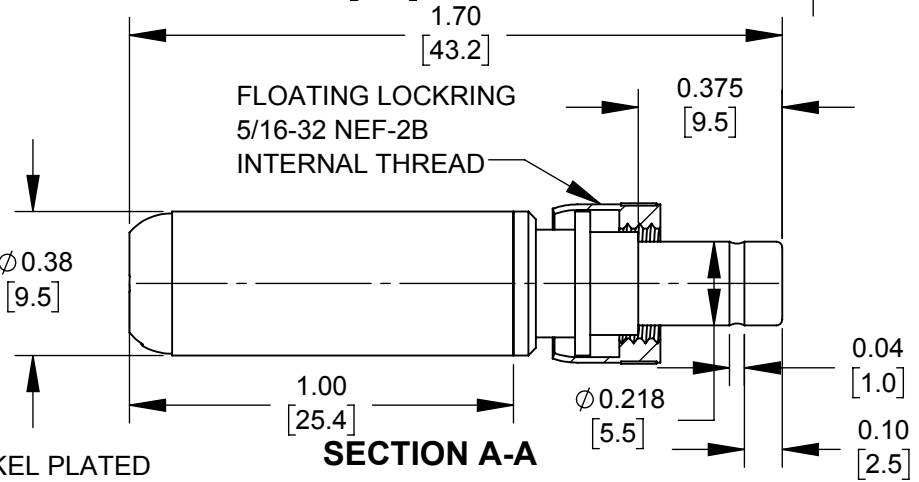
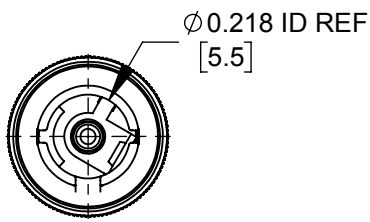
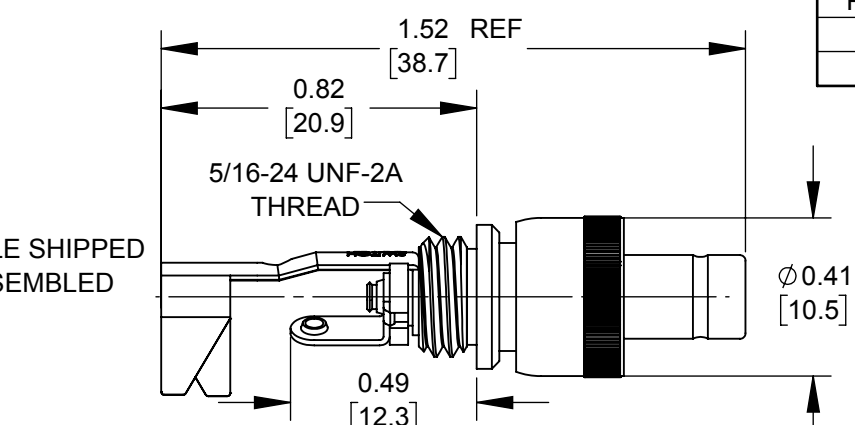


PART NUMBER	HANDLE COLOR
S760KZ	BLACK
S765KZ	RED



- NOTES:
- MATERIALS:  
 CONDUCTORS & LOCKRING - BRASS, NICKEL PLATED  
 TERMINALS - BRASS, TIN PLATED  
 INSULATORS & HANDLE - THERMOPLASTIC

2. THIS PRODUCT IS RoHS COMPLIANT

**CUSTOMER DRAWING**

					UNLESS OTHERWISE SPECIFIED  1. ALL DIMENSIONS IN INCHES [mm] - TWO PLACE DECIMALS ±0.02 [0.5] - THREE PLACE DECIMALS ±0.005 [0.13]
0A	FIRST DRAWN	10/24/19	AM	*	
REV	ECO NUMBER	DATE	BY	APVD	
REVISIONS					

THIS DRAWING DESCRIBES A DESIGN CONSIDERED PROPRIETARY IN NATURE, DEVELOPED AND MANUFACTURED BY SWITCHCRAFT INC. AND IS RELEASED ON A CONFIDENTIAL BASIS FOR IDENTIFICATION PURPOSES ONLY.										
SIZE	*	WIDTH	*	MULT	*	LBS/M	*	TEMPER	*	
FINISH	*					MATERIAL	*			
SPEC No.	*					SPEC No.	*			
FIRST USED ON				SCALE						
*				2:1						
DATE DRAWN	BY	CHKD	APVD							
10/24/19	AM	*	*							
NAME						PART No.		REV		
Ø0.08 [2.0]mm X 0.375 LONG IMPROVED PWR PLG W/LOCKRING, RoHS						S760KZ-S765KZ		0A		
DO NOT SCALE DRAWING						SHEET 1 OF 1				

## X-ON Electronics

Largest Supplier of Electrical and Electronic Components

*Click to view similar products for [DC Power Connectors](#) category:*

*Click to view products by [SWITCHCRAFT](#) manufacturer:*

Other Similar products are found below :

[RAPC3FG](#) [B04P-VL-VN-1.8](#) [1600206-1](#) [163-0302](#) [163-0310-EX](#) [163-4024](#) [163-4117-EX](#) [163-5005-E](#) [163-7421](#) [171-0721-EX](#) [171-3118-EX](#) [173-23507-ST-EX](#) [KLDVX-SMT-02-ATR](#) [KLDX-SMT-0202-BP](#) [KLDX-SMT-0202-BPTR](#) [163-0179-EX](#) [163-0307-E](#) [163-4119-E](#) [171-0722-E](#) [171-3218-EX](#) [171-7391](#) [173-3413-ST-EX](#) [RAPCBRK](#) [K596](#) [KLD-0201-BC](#) [KLDVX-SMT-02-BTR](#) [KPPX-D](#) [TPCF-140-01-L-Q-4-RA](#) [RAPC3MHG](#) [RASM752TRX](#) [163-4800-E](#) [4C6831AX](#) [TS3PNJ](#) [DC-025LM-5A-2.5](#) [CL14218R](#) [AS250F RED](#) [DC-105-4A-1.6](#) [09441 AS120-F](#) [09442 AS120-M](#) [CP30240](#) [TAMIYA-M](#) [TAMIYA-MT1](#) [TAMIYA-MT2](#) [4840.1200](#) [4840.2202](#) [C5080HI-04P-18 + C5080HI-C](#) [JC-138](#) [JPO-25 \(FC6814\)](#) [JYO-26 \(FC6811\)](#) [JYO-29 \(FC68102\)](#)