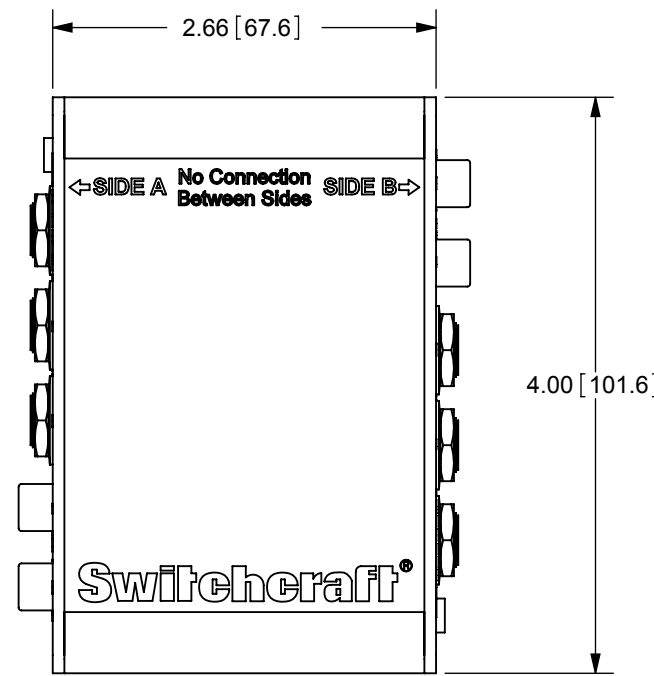
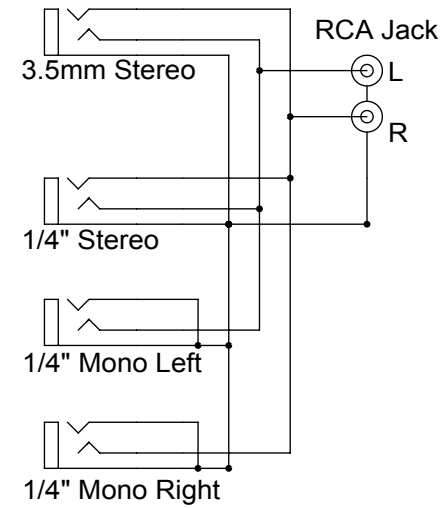


DUAL ADAPTER BOX MODEL SC600
RED ANODIZED ALUMINUM BOX
WITH LASER ETCHED WHITE TEXT

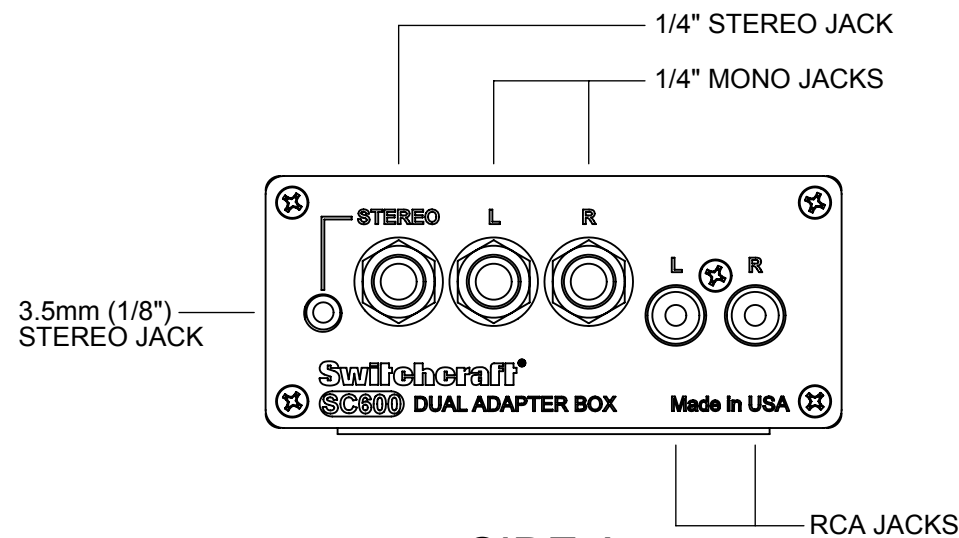
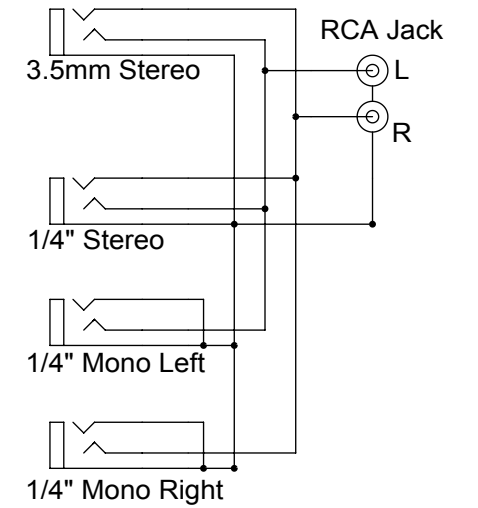


SCHEMATIC

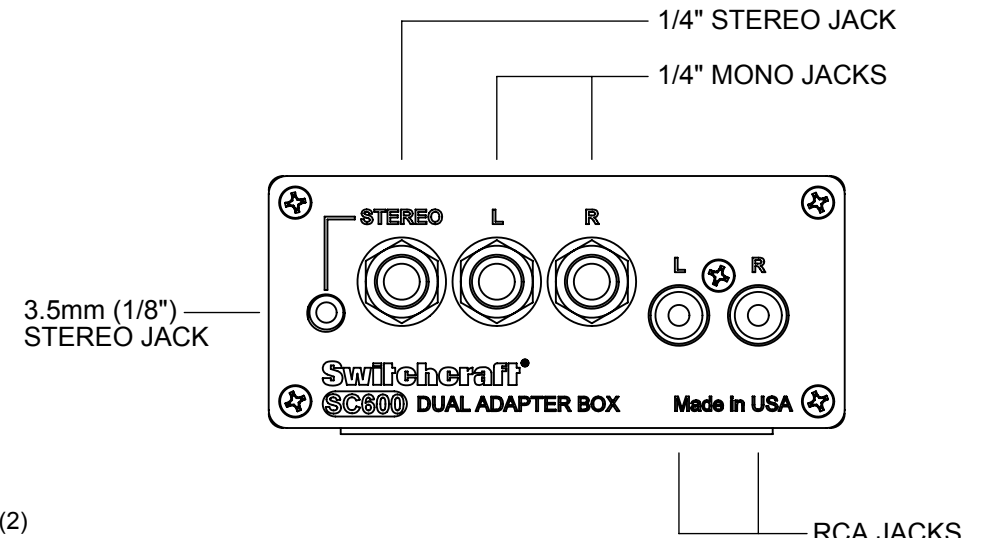
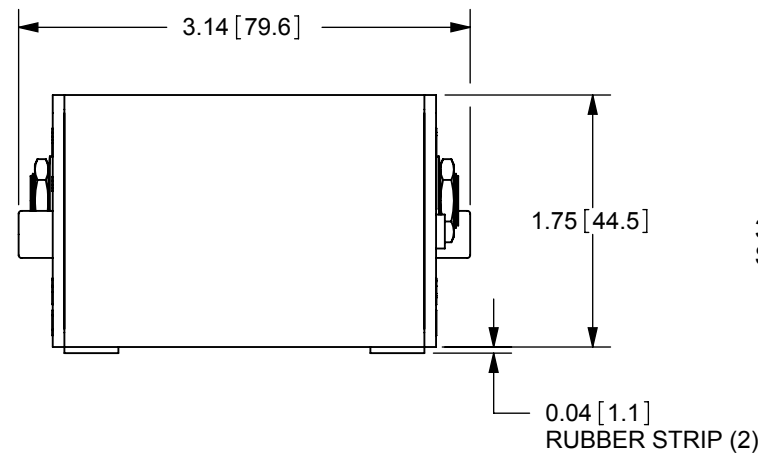
SIDE A



SIDE B



SIDE A



SIDE B

NOTES:

1. ALL DIMENSIONS FOR REFERENCE ONLY
2. THIS PRODUCT IS RoHS COMPLIANT

CUSTOMER DRAWING

					THIS DRAWING DESCRIBES A DESIGN CONSIDERED PROPRIETARY IN NATURE, DEVELOPED AND MANUFACTURED BY SWITCHCRAFT INC. AND IS RELEASED ON A CONFIDENTIAL BASIS FOR IDENTIFICATION PURPOSES ONLY.						
					SIZE	WIDTH	MULT	LBS/M	TEMPER		
					FINISH SPEC No.			MATERIAL SPEC No.			
					FIRST USED ON		SCALE 0.75:1				
B	26639	10/11/10	PC	TJK	DATE DRAWN	BY	CHKD	APVD	Switchcraft [®]		
A	26307	12/02/08	PC	TJK	11/12/08	PNK	PC	TJK			
REV	ECO NUMBER	DATE	BY	APVD	NAME		PART No.		REV		
REVISIONS					DO NOT SCALE DRAWING					DUAL ADAPTER BOX MODEL SC600, RoHS	SHEET 1 OF 1
										SC600	B

X-ON Electronics

Largest Supplier of Electrical and Electronic Components

Click to view similar products for [Patch Panels](#) category:

Click to view products by [Switchcraft](#) manufacturer:

Other Similar products are found below :

[MMVP96K2N75T](#) [MMVP96K2NNT](#) [MMVP96K2NT](#) [MMVP96K3NNT](#) [QGPK1LCM](#) [QGPK3CAT5E](#) [QGPK3CAT5ES](#) [QGPK3LC](#)
[QGPK3LCM](#) [QGPK3ST](#) [QGPK3STM](#) [DS303](#) [DS311](#) [DS317](#) [JS-16](#) [JSH-24](#) [QGPK1CAT5ES](#) [QGPK1CAT6S](#) [QGPK1LC](#) [QGPK1SC](#)
[QGPK1SCM](#) [QGPK1ST](#) [QGPK1STM](#) [QGPK3CAT6](#) [QGPK3CAT6S](#) [QGPK3SC](#) [TT91202](#) [TT91402](#) [MMVP48K275T](#) [MMVP48K2NNT](#)
[MMVP48K2NT](#) [MMVP96K275T](#) [MMVP96K375T](#) [MMVP96K3N75T](#) [JSIS-72](#) [K576](#) [DS385](#) [Switchcraft TT518](#) [TT95DC](#) [TT91002](#)
[DS368](#) [JS-36A](#) [JSI-8D2SF24](#) [JSIX-64S](#) [JS-52W](#) [JSI-40S](#) [K6004B](#) [314DI](#) [K6002D](#) [MMVPTL](#)