

**NOTES:**

1. ALL DIMENSIONS FOR REFERENCE ONLY.
2. MATERIALS:  
HOUSING AND END PANELS - ALUMINUM, BLACK ANODIZED  
COMPONENT PANELS - ALUMINUM, BLUE ANODIZED
3. LASER ETCHED WHITE TEXT AND ARTWORK.
4. THIS PRODUCT IS RoHS COMPLIANT.

**CUSTOMER DRAWING**

UNLESS OTHERWISE SPECIFIED 1. ALL DIMENSIONS IN INCHES - TWO PLACE DECIMALS ±0.02 - THREE PLACE DECIMALS ±0.005					SIZE		WIDTH	MULT	LBS/M	TEMPER	
					FINISH		MATERIAL		SPEC No.		SPEC No.
DO NOT SCALE DRAWING					FIRST USED ON		SCALE		1:1		
					DATE DRAWN	BY	CHKD	APVD	BHM		8-10-10
B	27673	5-1-16	TO	TJK	3/2/10	BHM	TJK	BHM	Switchcraft®		
A	26565	7-20-10	BHM	TJK	SHEET 1 OF 3						
REVISIONS					NAME INSTRUMENT DIRECT BOX					PART No. SC800CT	REV B

# SC800CT Instrument Direct Box

## Audio Specifications

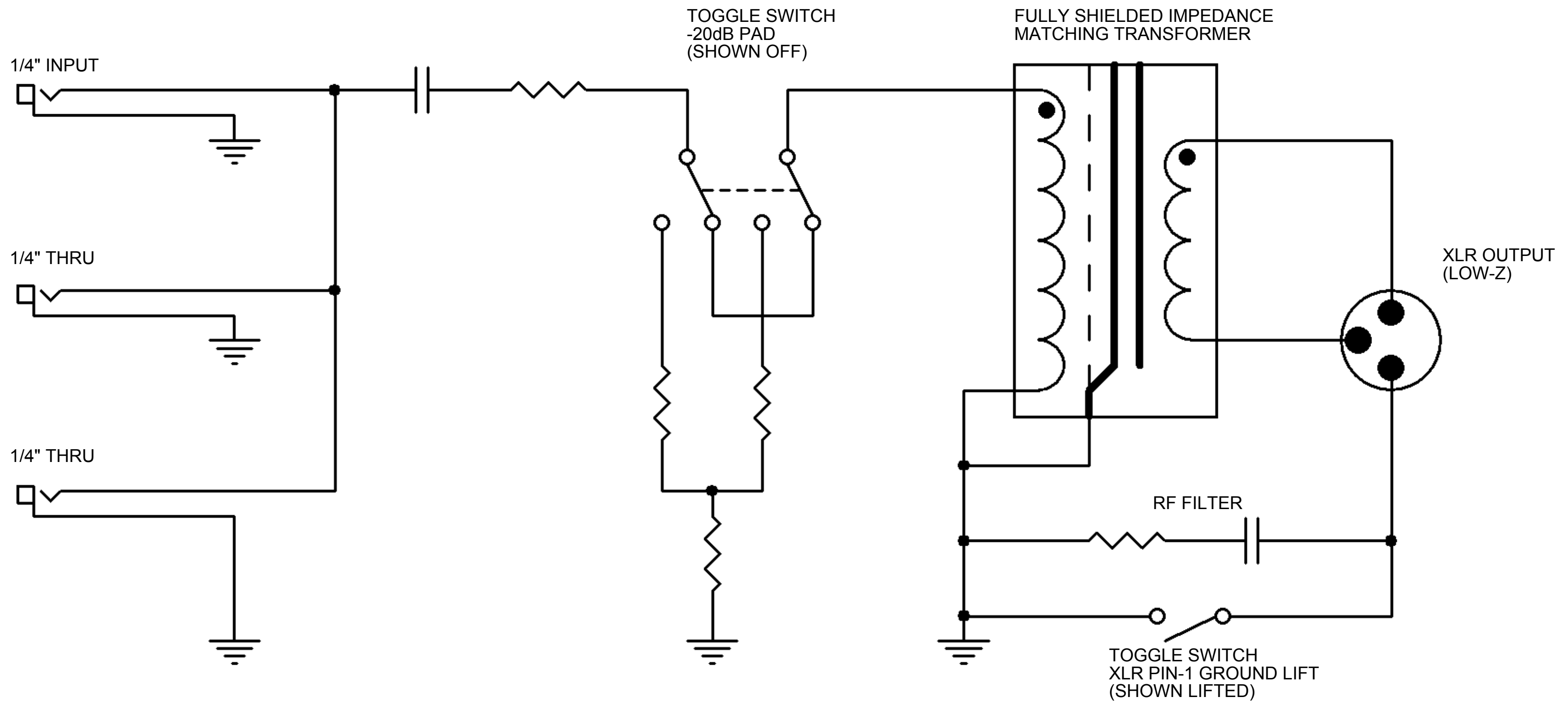
# Switchcraft®

Parameter	Performance	Conditions
Frequency Response	20Hz - 20kHz	+/-0.3dB, ref 1kHz
Total Harmonic Distortion + Noise	< 0.007% < 0.15%	at 1kHz, +4dBu Input, 22kHz Bandwidth at 20Hz, +4dBu Input, 22kHz Bandwidth
Maximum Input Level	+19dBu	at 20Hz with 1% THD+Noise
Input Impedance	> 120kΩ	at 1kHz
Output Impedance	< 20Ω	at 1kHz
Common Mode Rejection Ratio (CMRR)	> 92dB	at 60Hz
Deviation from Linear Phase	< 4° < 1° < 9°	at 20Hz at 1kHz at 20kHz
Voltage Gain	-22dB -42dB	+/-1dB +/-1dB with 20dB pad engaged
Pad Attenuation	20dB	+/-1dB

Notes: All measurements were taken with a 25Ω unbalanced source and measured from the XLR with a 1kΩ balanced load.  
Specifications subject to change without notice.

CUSTOMER DRAWING

SCALE 1:1	Switchcraft®	
DATE DRAWN 3/2/10		
DRAWN BY BHM	PART No. SC800CT	REV B



**CUSTOMER DRAWING**

SCALE 1:1	<b>Switchcraft</b> <sup>®</sup>	
DATE DRAWN 3/2/10		
DRAWN BY BHM	PART No. SC800CT	REV B

## X-ON Electronics

Largest Supplier of Electrical and Electronic Components

*Click to view similar products for [Patch Panels](#) category:*

*Click to view products by [Switchcraft](#) manufacturer:*

Other Similar products are found below :

[MMVP96K2N75T](#) [MMVP96K2NNT](#) [MMVP96K2NT](#) [MMVP96K3NNT](#) [QGPK1LCM](#) [QGPK3CAT5E](#) [QGPK3CAT5ES](#) [QGPK3LC](#)  
[QGPK3LCM](#) [QGPK3ST](#) [QGPK3STM](#) [DS303](#) [DS311](#) [DS317](#) [JS-16](#) [JSH-24](#) [QGPK1CAT5ES](#) [QGPK1CAT6S](#) [QGPK1LC](#) [QGPK1SC](#)  
[QGPK1SCM](#) [QGPK1ST](#) [QGPK1STM](#) [QGPK3CAT6](#) [QGPK3CAT6S](#) [QGPK3SC](#) [TT91202](#) [TT91402](#) [MMVP48K275T](#) [MMVP48K2NNT](#)  
[MMVP48K2NT](#) [MMVP96K275T](#) [MMVP96K375T](#) [MMVP96K3N75T](#) [JSIS-72](#) [K576](#) [DS385](#) [Switchcraft TT518](#) [TT95DC](#) [TT91002](#)  
[DS368](#) [JS-36A](#) [JSI-8D2SF24](#) [JSIX-64S](#) [JS-52W](#) [JSI-40S](#) [K6004B](#) [314DI](#) [K6002D](#) [MMVPTL](#)