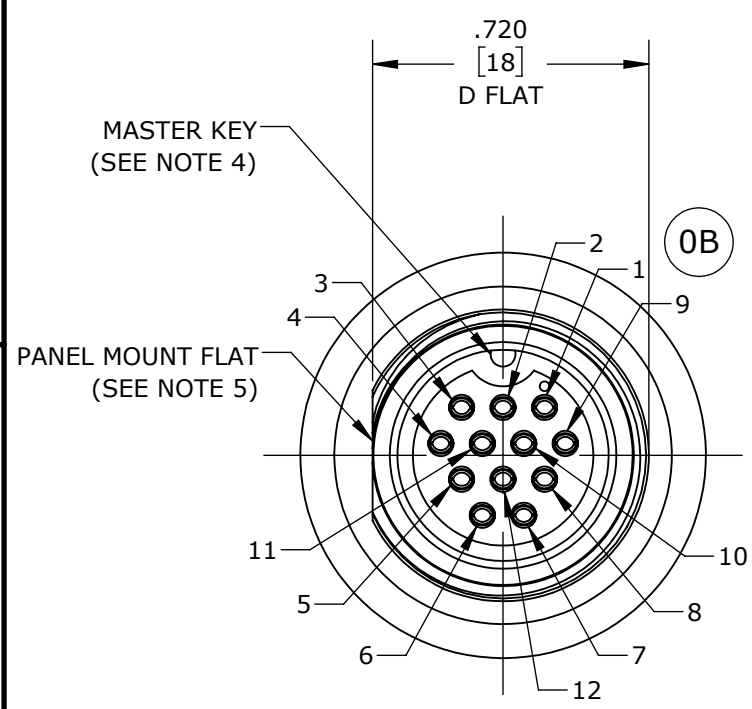


MFG. ENG. APPROVED BY: DATE: QA APPROVED BY: DATE:

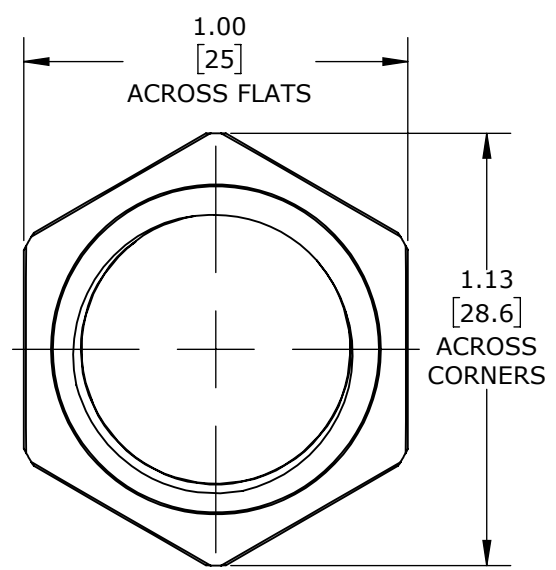
- NOTES:**
1. FINISHED CONNECTOR ASSEMBLIES ARE PACKED INTO A PARTITION BOX, 25 PIECES PER BOX. BOX IS LABELED WITH CONXALL PART NUMBER AND DATE CODE.
 2. HEX NUT IS BULK PACKED IN POLY BAG. O-RING AND PROTECTIVE CAP ARE ASSEMBLED ONTO THE CONNECTOR.
 3. TERMINATING END OF CONNECTOR IS FILLED WITH BLACK EPOXY.
 4. MASTER KEY IS AT 12 O'CLOCK.
 5. PANEL MOUNT FLAT IS AT 9 O'CLOCK.
 6. MATERIALS:
 HEX NUT & PANEL HOUSING- COPPER ALLOY, NICKEL PLATED PER MIL-C-26074
 PROTECTIVE CAP- ELASTOMER, BLACK
 SOCKET INSERT- THERMOPLASTIC, BLACK
 O-RING- ELASTOMER, BLACK
 CONTACTS- COPPER ALLOY, GOLD PLATED PER MIL-G-45204 OVER NICKEL PER QQ-N-290

| PART NUMBER | POSITIONS | | | | | | | | | | | |
|-----------------|-----------|-------|-------|-------|-------|-------|-------|-------|-------|--------|--------|--------|
| | POS 1 | POS 2 | POS 3 | POS 4 | POS 5 | POS 6 | POS 7 | POS 8 | POS 9 | POS 10 | POS 11 | POS 12 |
| SF4281-2SG-3ES | --- | --- | --- | OPEN | --- | --- | --- | --- | OPEN | --- | --- | --- |
| SF4281-3SG-3ES | OPEN | --- | OPEN | --- | --- | --- | --- | --- | --- | --- | --- | OPEN |
| SF4281-4SG-3ES | OPEN | --- | OPEN | --- | OPEN | --- | --- | OPEN | --- | --- | --- | --- |
| SF4281-5SG-3ES | --- | OPEN | --- | OPEN | --- | OPEN | OPEN | --- | OPEN | --- | --- | --- |
| SF4281-6SG-3ES | OPEN | OPEN | --- | OPEN | OPEN | --- | OPEN | OPEN | --- | --- | --- | --- |
| SF4281-7SG-3ES | OPEN | OPEN | OPEN | OPEN | --- | OPEN | OPEN | --- | OPEN | --- | --- | --- |
| SF4281-8SG-3ES | OPEN | --- | OPEN | OPEN | OPEN | OPEN | OPEN | OPEN | OPEN | --- | --- | --- |
| SF4281-9SG-3ES | OPEN | OPEN | OPEN | OPEN | OPEN | OPEN | OPEN | OPEN | OPEN | --- | --- | --- |
| SF4281-10SG-3ES | OPEN | OPEN | OPEN | OPEN | OPEN | OPEN | OPEN | OPEN | OPEN | OPEN | --- | --- |
| SF4281-11SG-3ES | OPEN | OPEN | OPEN | OPEN | OPEN | OPEN | OPEN | OPEN | OPEN | OPEN | OPEN | --- |
| SF4281-12SG-3ES | OPEN | OPEN | OPEN | OPEN | OPEN | OPEN | OPEN | OPEN | OPEN | OPEN | OPEN | OPEN |
| SF4281-XXSG-3ES | | | | | | | | | | | | |

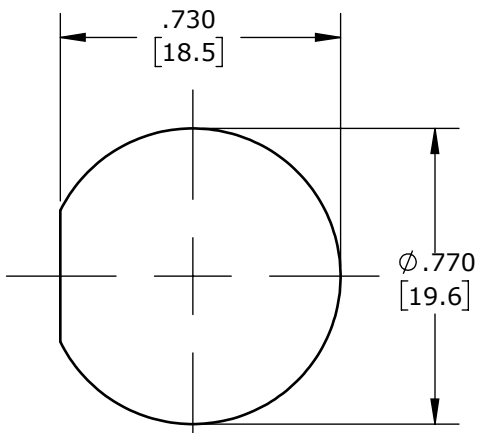
CUSTOMER PRINT



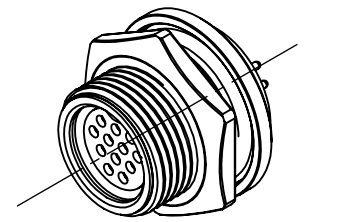
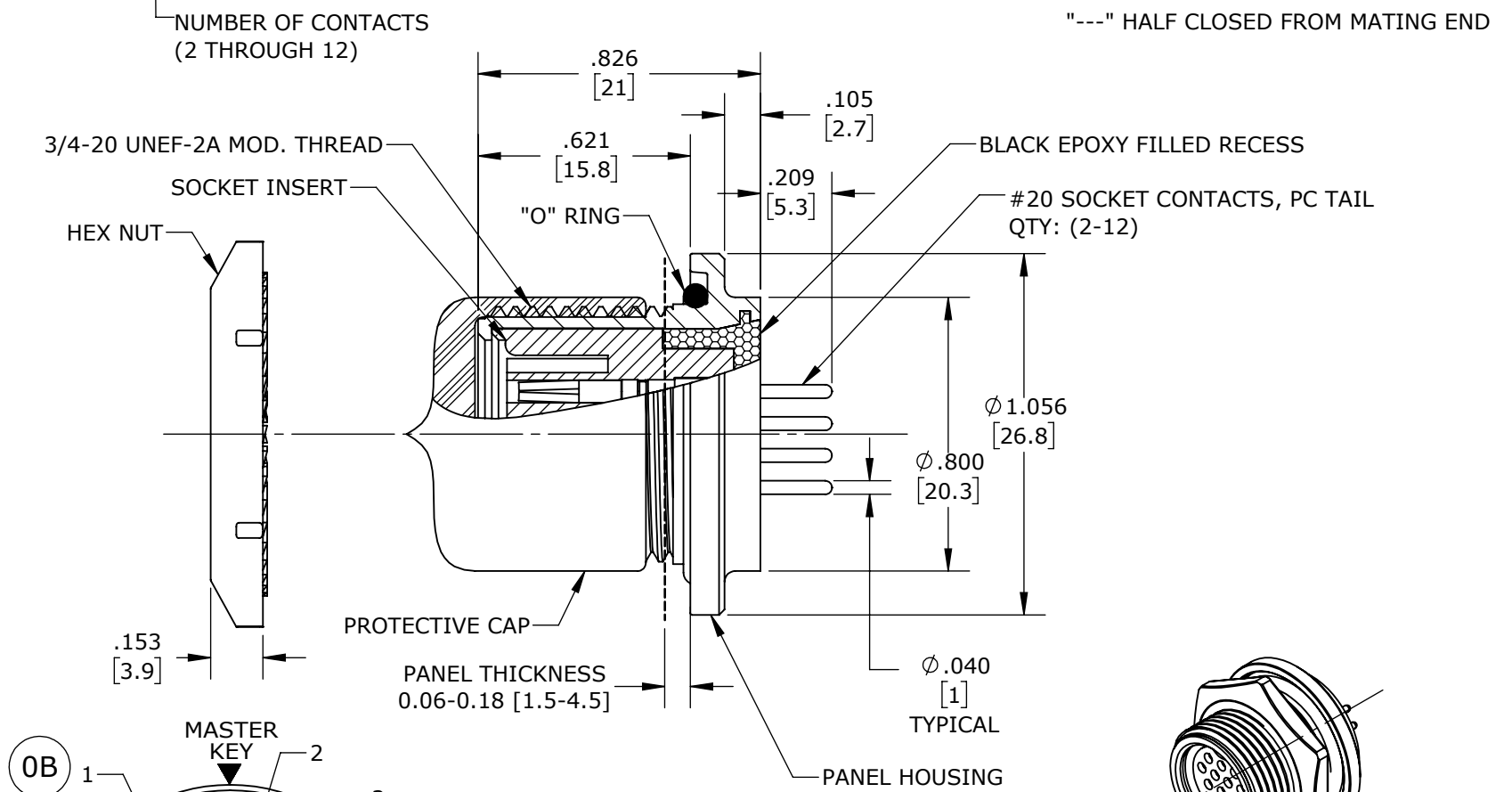
FACE VIEW
(SF4281-12SG-3ES SHOWN)



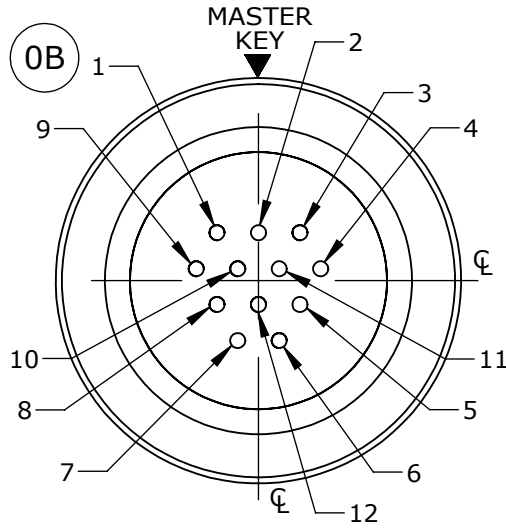
HEX NUT
(UNASSEMBLED)



RECOMMENDED PANEL CUT-OUT



ASSEMBLED VIEW
(SCALE 1:1)
(SF4281-12SG-3ES SHOWN WITHOUT PROTECTIVE CAP)



WIRE VIEW
(SF4281-12SG-3ES SHOWN)

HOLE PATTERN CHART

| POS. | "X" | "Y" |
|------|--------|--------|
| 1 | 0.108 | 0.125 |
| 2 | 0.000 | 0.125 |
| 3 | -0.108 | 0.125 |
| 4 | -0.162 | 0.031 |
| 5 | -0.108 | -0.062 |
| 6 | -0.054 | -0.156 |
| 7 | 0.054 | -0.156 |
| 8 | 0.108 | -0.062 |
| 9 | 0.162 | 0.031 |
| 10 | 0.054 | 0.031 |
| 11 | -0.054 | 0.031 |
| 12 | 0.000 | -0.062 |

ALL DIMS. SHOWN TOL. ±0.001

DIMENSIONS IN BRACKETS [] ARE METRIC, mm.

RoHS COMPLIANT

| | | | |
|--|------------|-----------------|--|
| 0C | JGK | 12/20/18 | REMOVED "E" DESIGNATION FROM ALL P/N'S. |
| 0B | JGK | 03/23/18 | UPDATED HOLE PIN-OUT PATTERN TO MATCH PANEL PIN-OUT. |
| 0A | JGK | 11/30/17 | DRAWING CREATED FOR PROJECT #15019. |
| REV. | INIT. | DATE | DESCRIPTION |
| | JGK | 11/30/17 | ORIG. DRAWN BY: DATE: 11/30/17 |
| ALL INFORMATION ILLUSTRATED IS THE PROPERTY OF CONXALL CORPORATION. UNAUTHORIZED DUPLICATION OR DISTRIBUTION OF THIS DOCUMENT IS PROHIBITED. | | | 601 E. WILDWOOD VILLA PARK, IL 60181 |
| UNLESS OTHERWISE SPECIFIED TOLERANCES: 3 PLACE DECIMALS ±.005 ANGLES ±1° FRACTIONS ±1/16 | | | |
| ALL UNITS ARE IN FEET, INCHES, FRACTION OF INCHES AND DECIMALS. | | | TITLE: SHIELDED PANEL ASSEMBLY (2-12) #20 PC TAIL, SOCKET CONTACTS SHIELDED MULTI-CON-X STANDARD PRODUCT |
| APPROVED BY: | | | CUSTOMER: SF4281-XXSG-3ES |
| SCALE | SIZE | SHEET | REV |
| 2:1 | B | 1 OF 1 | 0C |
| FILE: | DIRECTORY: | PART NUMBER: | |
| SAME AS P/N | SLW | SF4281-XXSG-3ES | |

X-ON Electronics

Largest Supplier of Electrical and Electronic Components

Click to view similar products for [Standard Circular Connector](#) category:

Click to view products by [Switchcraft](#) manufacturer:

Other Similar products are found below :

[5M2530B10P](#) [600259N006](#) [600273N007](#) [6134-336-13149](#) [6134-337-11149](#) [6134-337-2390](#) [6134-341-17149](#) [6280-4SG-516](#) [6280-7SG-3DC](#)
[6290](#) [6291A](#) [66200A-10](#) [680-SMG](#) [681-PMG](#) [CXS3102A14S2P](#) [CXS3102A181S](#) [7251-5SG-300](#) [7271-6SG-300](#) [7282-3PG-300-CH3](#) [75-](#)
[474618-01S](#) [75-474618-04P](#) [75-474618-04S](#) [799539-000](#) [MI8-SE](#) [805-005-07NF11-19PC](#) [805-005-07NF15-7PA](#) [8280-4PG-516](#) [8280-7PG-](#)
[519](#) [8282-5PG-519](#) [836783-1](#) [MP-4102-25P-C](#) [862256-1](#) [864019-2](#) [866857-1](#) [867865-1](#) [PT01SP-14-18P](#) [PT08P-14-5S](#) [PTSF06SE-14-12S](#)
[120-1833-000](#) [QCM019PC2DC012B](#) [1-2069279-1](#) [121583-0217](#) [121667-0020](#) [129591AU](#) [1000B BULK](#) [RD10A16-19-P6CS051/1](#)
[RD10A20-31-P8CS051/1](#) [RD16A14-12-S6CS051/2](#) [1301240290](#) [1301240347](#) [1301860202](#)