

CUSTOMER PRINT

PART NUMBER: SF4282-XXSG-3ES

MFG. ENG.	APPROVED BY:	DATE:	QA	APPROVED BY:	DATE:
-----------	--------------	-------	----	--------------	-------

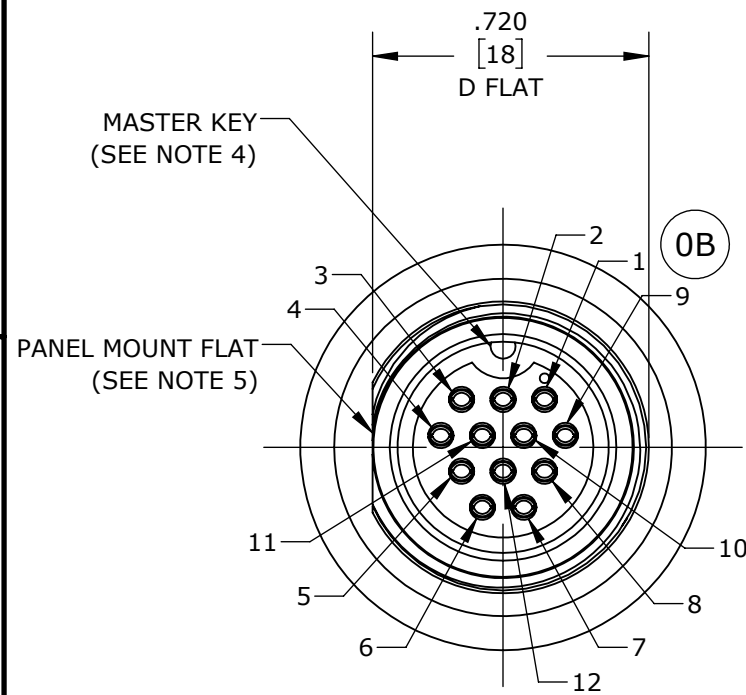
NOTES:

1. FINISHED CONNECTOR ASSEMBLIES ARE PACKED INTO A PARTITION BOX, 25 PIECES PER BOX. BOX IS LABELED WITH CONXALL PART NUMBER AND DATE CODE.
2. HEX NUT IS BULK PACKED IN POLY BAG. O-RING AND PROTECTIVE CAP ARE ASSEMBLED ONTO THE CONNECTOR.
3. TERMINATING END OF CONNECTOR IS FILLED WITH BLACK EPOXY.
4. MASTER KEY IS AT 12 O'CLOCK.
5. PANEL MOUNT FLAT IS AT 9 O'CLOCK.
6. SOLDER CUPS TO FACE MASTER KEY OF INSERT.
7. MATERIALS:
 HEX NUT & PANEL HOUSING- COPPER ALLOY, NICKEL PLATED PER MIL-C-26074
 PROTECTIVE CAP- ELASTOMER, BLACK
 SOCKET INSERT- THERMOPLASTIC, BLACK
 O-RING- ELASTOMER, BLACK
 CONTACTS- COPPER ALLOY, GOLD PLATED PER MIL-G-45204 OVER NICKEL PER QQ-N-290

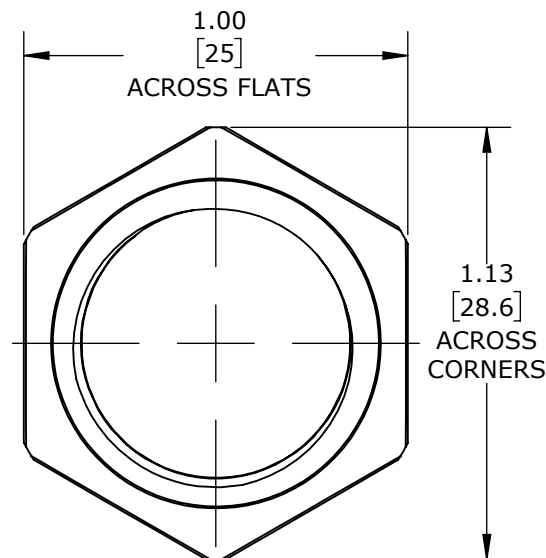
PART NUMBER	POSITIONS											
	POS 1	POS 2	POS 3	POS 4	POS 5	POS 6	POS 7	POS 8	POS 9	POS 10	POS 11	POS 12
SF4282-2SG-3ES	---	---	---	OPEN	---	---	---	---	OPEN	---	---	---
SF4282-3SG-3ES	OPEN	---	OPEN	---	---	---	---	---	---	---	---	OPEN
SF4282-4SG-3ES	OPEN	---	OPEN	---	OPEN	---	---	OPEN	---	---	---	---
SF4282-5SG-3ES	---	OPEN	---	OPEN	---	OPEN	OPEN	---	OPEN	---	---	---
SF4282-6SG-3ES	OPEN	OPEN	---	OPEN	OPEN	---	OPEN	OPEN	---	---	---	---
SF4282-7SG-3ES	OPEN	OPEN	OPEN	OPEN	---	OPEN	OPEN	---	OPEN	---	---	---
SF4282-8SG-3ES	OPEN	---	OPEN	OPEN	OPEN	OPEN	OPEN	OPEN	OPEN	---	---	---
SF4282-9SG-3ES	OPEN	OPEN	OPEN	OPEN	OPEN	OPEN	OPEN	OPEN	OPEN	---	---	---
SF4282-10SG-3ES	OPEN	OPEN	OPEN	OPEN	OPEN	OPEN	OPEN	OPEN	OPEN	OPEN	---	---
SF4282-11SG-3ES	OPEN	OPEN	OPEN	OPEN	OPEN	OPEN	OPEN	OPEN	OPEN	OPEN	OPEN	---
SF4282-12SG-3ES	OPEN	OPEN	OPEN	OPEN	OPEN	OPEN	OPEN	OPEN	OPEN	OPEN	OPEN	OPEN
SF4282-XXSG-3ES												

NUMBER OF CONTACTS (2 THROUGH 12)

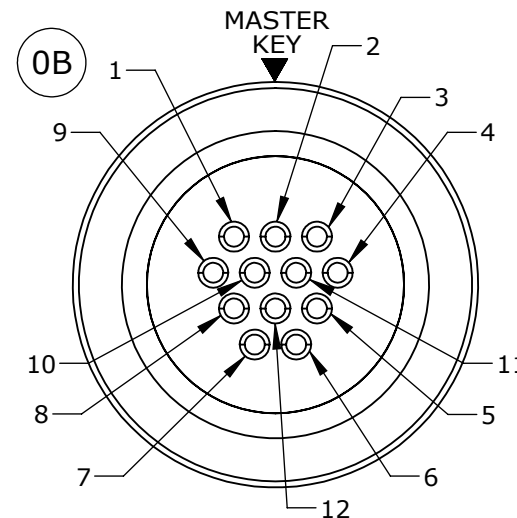
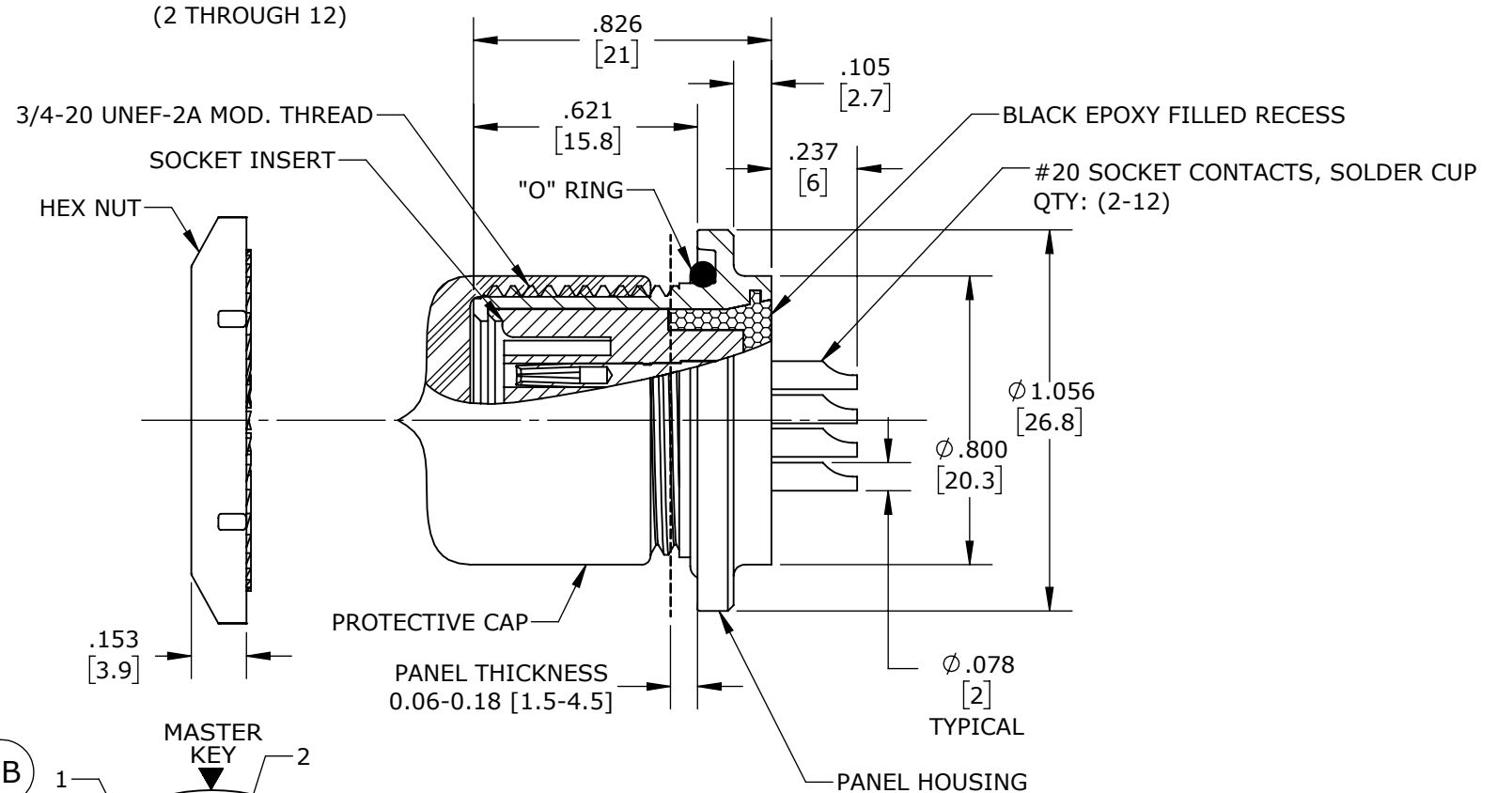
"---" HALF CLOSED FROM MATING END



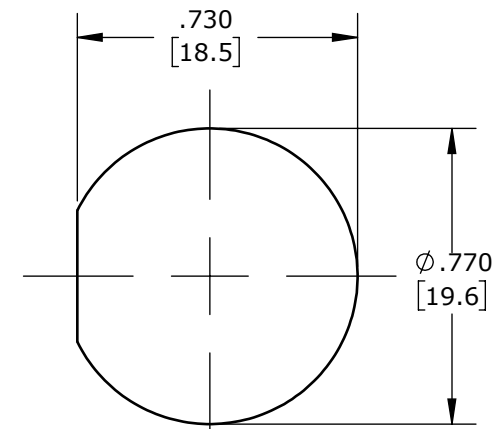
FACE VIEW
(SF4282-12SG-3ES SHOWN)



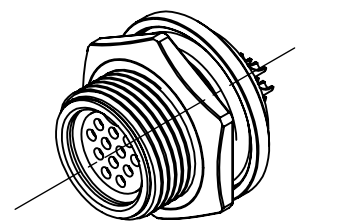
HEX NUT
(UNASSEMBLED)



WIRE VIEW
(SF4282-12SG-3ES SHOWN)



RECOMMENDED PANEL CUT-OUT



ASSEMBLED VIEW
(SCALE 1:1)
(SF4282-12SG-3ES SHOWN WITHOUT PROTECTIVE CAP)

DIMENSIONS IN BRACKETS [] ARE METRIC, mm.

RoHS COMPLIANT

0C	JGK	12/20/18	REMOVED "E" DESIGNATION IN ALL P/N'S.
0B	JGK	03/23/18	UPDATED HOLE PIN-OUT PATTERN TO MATCH CON-X PANEL PIN-OUT.
0A	JGK	12/05/17	DRAWING CREATED FOR PROJECT #15019.
REV.	INIT.	DATE	DESCRIPTION
	JGK	12/05/17	
ALL INFORMATION ILLUSTRATED IS THE PROPERTY OF CONXALL CORPORATION. UNAUTHORIZED DUPLICATION OR DISTRIBUTION OF THIS DOCUMENT IS PROHIBITED.			601 E. WILDWOOD VILLA PARK, IL 60181
ALL UNITS ARE IN FEET, INCHES, FRACTION OF INCHES AND DECIMALS. UNLESS OTHERWISE SPECIFIED TOLERANCES: 3 PLACE DECIMALS ±.005 ANGLES ±1° FRACTIONS ±1/16			
APPROVED BY:			TITLE: SHIELDED PANEL ASSEMBLY (2-12) #20 SOLDER CUP, SOCKET CONTACTS SHIELDED MULTI-CON-X STANDARD PRODUCT
SCALE	SIZE	SHEET	CUSTOMER:
2:1	B	1 OF 1	SF4282-XXSG-3ES
FILE:	DIRECTORY:	PART NUMBER:	REV
SAME AS P/N	SLW		0C

X-ON Electronics

Largest Supplier of Electrical and Electronic Components

Click to view similar products for [Standard Circular Connector](#) category:

Click to view products by [Switchcraft](#) manufacturer:

Other Similar products are found below :

[5M2530B10P](#) [600259N006](#) [600273N007](#) [6134-336-13149](#) [6134-337-11149](#) [6134-337-2390](#) [6134-341-17149](#) [6280-4SG-516](#) [6280-7SG-3DC](#)
[6290](#) [6291A](#) [66200A-10](#) [680-SMG](#) [681-PMG](#) [CXS3102A14S2P](#) [CXS3102A181S](#) [7271-6SG-300](#) [7282-3PG-300-CH3](#) [75-474014-05S](#) [75-](#)
[474618-01S](#) [75-474618-04P](#) [75-474618-04S](#) [799539-000](#) [MI8-SE](#) [805-005-07NF11-19PC](#) [805-005-07NF15-7PA](#) [8280-4PG-516](#) [8280-7PG-](#)
[519](#) [8282-5PG-519](#) [836783-1](#) [MP-4102-25P-C](#) [862256-1](#) [864019-2](#) [866857-1](#) [867865-1](#) [PT01SP-14-18P](#) [PT08P-14-5S](#) [120-1833-000](#)
[QCM019PC2DC012B](#) [1-2069279-1](#) [121583-0217](#) [121667-0020](#) [129591AU](#) [1000B BULK](#) [RD10A16-19-P6CS051/1](#) [RD10A20-31-](#)
[P8CS051/1](#) [RD16A14-12-S6CS051/2](#) [1301240290](#) [1301240347](#) [1301860202](#) [1301240268](#)