

NOTES:

1. CRIMP CONTACTS SUPPLIED UNASSEMBLED.
2. REFER TO DRAWING HPSFMISTD FOR CONTACT PATTERNS.
3. DIMENSIONS ARE REFERENCE ONLY, IN INCHES [mm], WITHIN ±0.015 UNLESS OTHERWISE NOTED.

CABLE-END CONNECTOR PART NUMBERS:

**S F 6 9 8 X - X S G - 5XX**

BACKSHELL KIT:  
 520 = BACKSHELL WITH  
 0.220 [5.6] GROMMET I.D.  
 530 = BACKSHELL WITH  
 0.330 [8.4] GROMMET I.D.

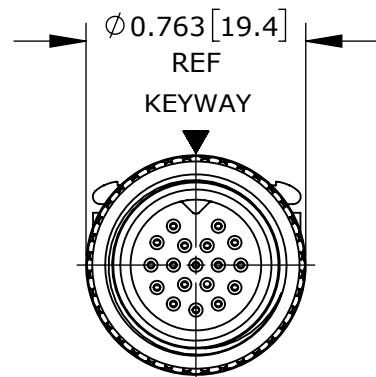
# OF CONTACTS: 9 - 18

CONTACTS STYLE:  
 0 = CRIMP  
 2 = SOLDER

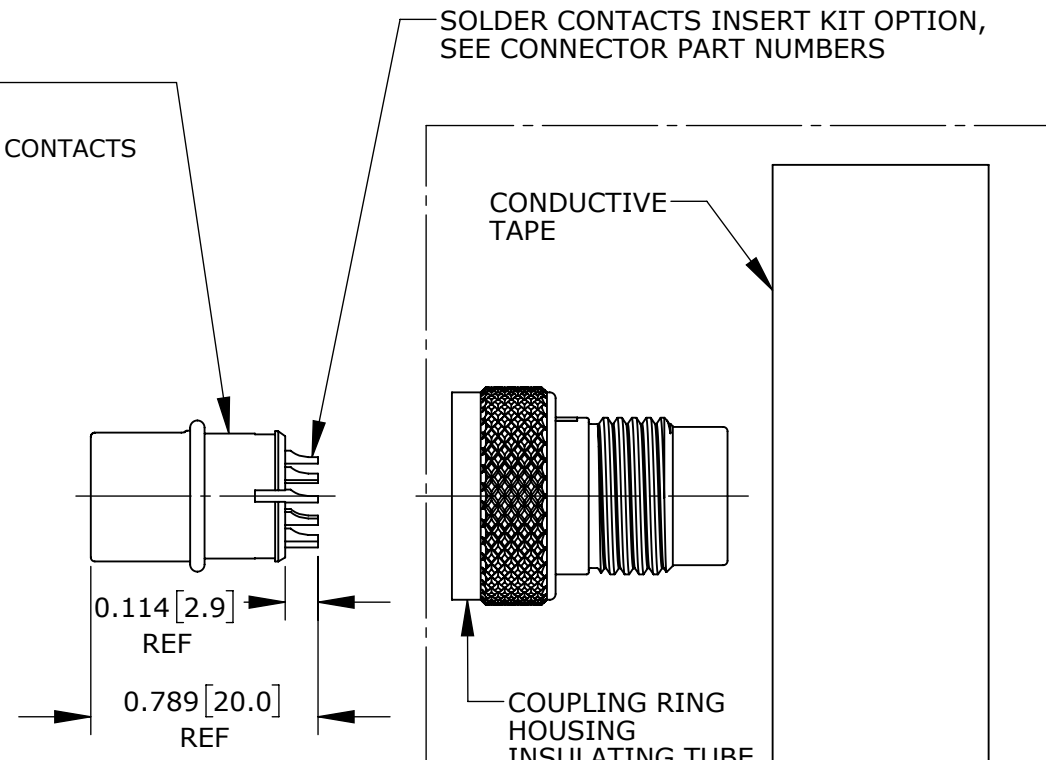
CUSTOMER PRINT

PART NUMBER: SF698X-XSG-5XX

PLUG INSERT KIT  
 MAT'L: THERMOPLASTIC INSERT  
 COPPER ALLOY, GOLD PLATED CONTACTS  
 ELASTOMERIC SEAL O-RING



**FACE VIEW**  
 SF6982-18SG-520 SHOWN

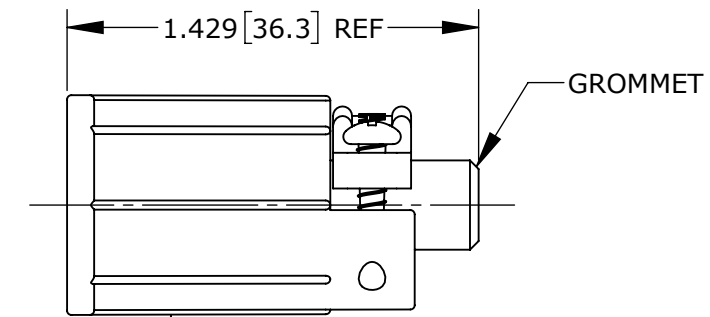


SOLDER CONTACTS INSERT KIT OPTION,  
 SEE CONNECTOR PART NUMBERS

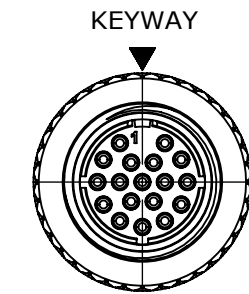
CONDUCTIVE  
 TAPE

COUPLING RING  
 HOUSING  
 INSULATING TUBE

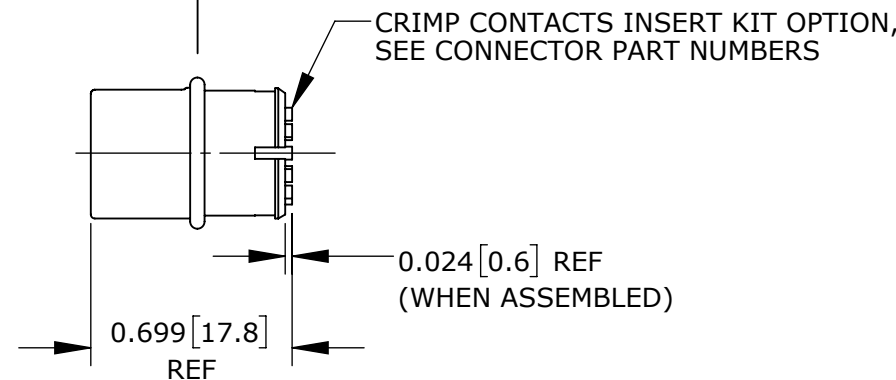
PLUG ASSEMBLY KIT  
 MAT'L: COPPER ALLOY, NICKEL PLATED HOUSING & COUPLING RING,  
 NICKEL/COPPER/POLYESTER FABRIC WITH CONDUCTIVE ADHESIVE TAPE,  
 MYLAR INSULATING TUBE



BACKSHELL KIT  
 MAT'L: THERMOPLASTIC SHELL & STRAP,  
 ELASTOMERIC GROMMET,  
 STAINLESS STEEL SCREWS



**WIRING VIEW**  
 SF6982-18SG-520 SHOWN  
 WITHOUT BACKSHELL



CRIMP CONTACTS INSERT KIT OPTION,  
 SEE CONNECTOR PART NUMBERS

**CUSTOMER APPROVAL**

THIS DOCUMENT CONTAINS CONFIDENTIAL INFORMATION PROPRIETARY TO CONXALL CORPORATION. ANY REPRODUCTION, DISCLOSURE, OR USE OF THIS DOCUMENT /INFORMATION IS EXPRESSLY PROHIBITED UNLESS AUTHORIZED IN WRITING BY CONXALL CORPORATION.

APPROVED BY: \_\_\_\_\_  
 DATE: \_\_\_\_\_

**RoHS COMPLIANT**

0A	PNK	2-8-18	DRAWING CREATED PER PDR17006	
REV.	INIT.	DATE	DESCRIPTION	
			ORIG. DRAWN BY: PNK	DATE: 2-8-18
ALL INFORMATION ILLUSTRATED IS THE PROPERTY OF CONXALL CORPORATION. UNAUTHORIZED DUPLICATION OR DISTRIBUTION OF THIS DOCUMENT IS PROHIBITED.			<p>601 E. WILDWOOD VILLA PARK, IL 60181</p>	
ALL UNITS ARE IN FEET, INCHES, FRACTION OF INCHES AND DECIMALS. UNLESS OTHERWISE SPECIFIED TOLERANCES: 3 PLACE DECIMALS ±.005 ANGLES ±1° FRACTIONS ±1/16				
APPROVED BY:			SCALE: NTS	SIZE: B
FILE: SF698X-XSG-5XX_CD			DIRECTORY: SLW	SHEET: 1 OF 1
TITLE: CABLE-END CONNECTOR 9-18 #26 SOCKET CONTACTS SHIELDED MINI-CON-X STANDARD PRODUCT			CUSTOMER: SF698X-XSG-5XX	
PART NUMBER: SF698X-XSG-5XX			REV 0A	

## X-ON Electronics

Largest Supplier of Electrical and Electronic Components

*Click to view similar products for [Standard Circular Connector](#) category:*

*Click to view products by [Switchcraft](#) manufacturer:*

Other Similar products are found below :

[5M2530B10P](#) [600259N006](#) [600273N007](#) [6134-336-13149](#) [6134-337-11149](#) [6134-337-2390](#) [6134-341-17149](#) [6280-4SG-516](#) [6280-7SG-3DC](#)  
[6290](#) [6291A](#) [66200A-10](#) [680-SMG](#) [681-PMG](#) [CXS3102A14S2P](#) [CXS3102A181S](#) [7271-6SG-300](#) [7282-3PG-300-CH3](#) [75-474014-05S](#) [75-](#)  
[474618-01S](#) [75-474618-04P](#) [75-474618-04S](#) [799539-000](#) [MI8-SE](#) [805-005-07NF11-19PC](#) [805-005-07NF15-7PA](#) [8280-4PG-516](#) [8280-7PG-](#)  
[519](#) [8282-5PG-519](#) [836783-1](#) [MP-4102-25P-C](#) [862256-1](#) [864019-2](#) [866857-1](#) [867865-1](#) [PT01SP-14-18P](#) [PT08P-14-5S](#) [120-1833-000](#)  
[QCM019PC2DC012B](#) [1-2069279-1](#) [121583-0217](#) [121667-0020](#) [129591AU](#) [1000B BULK](#) [RD10A16-19-P6CS051/1](#) [RD10A20-31-](#)  
[P8CS051/1](#) [RD16A14-12-S6CS051/2](#) [1301240290](#) [1301240347](#) [1301860202](#) [1301240268](#)