

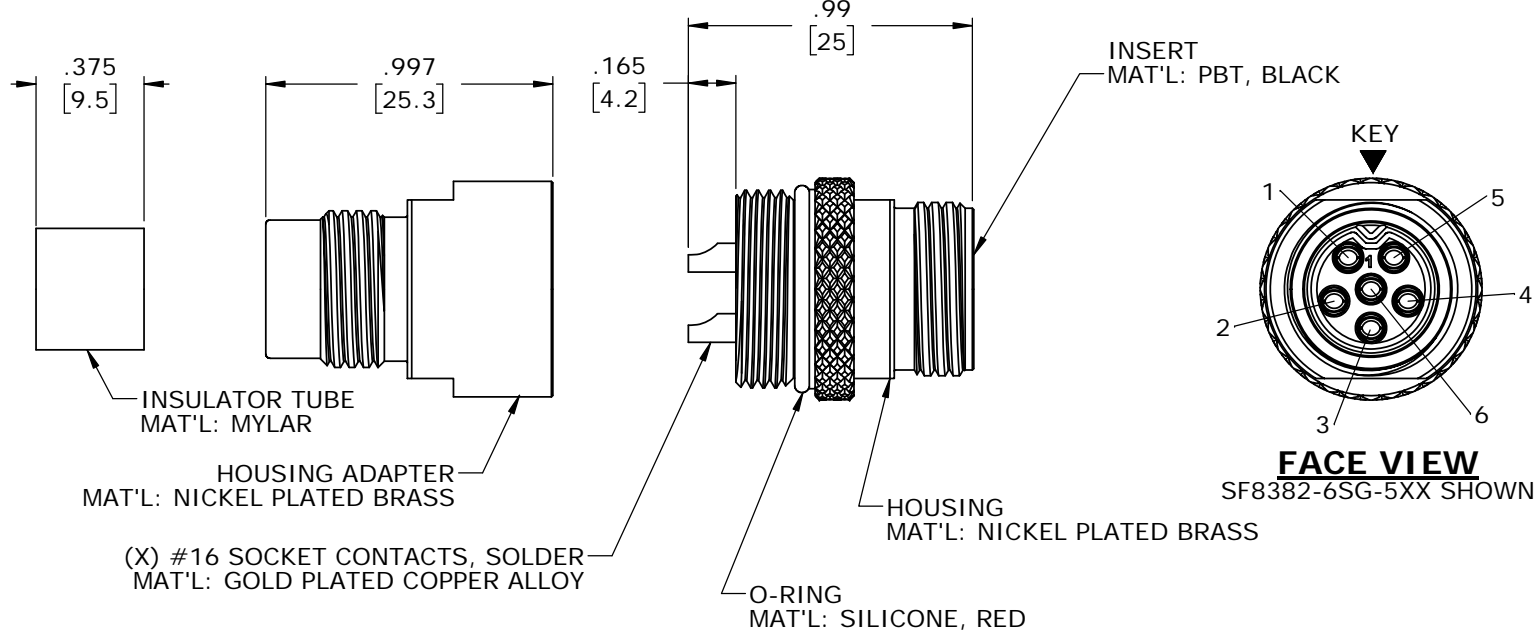
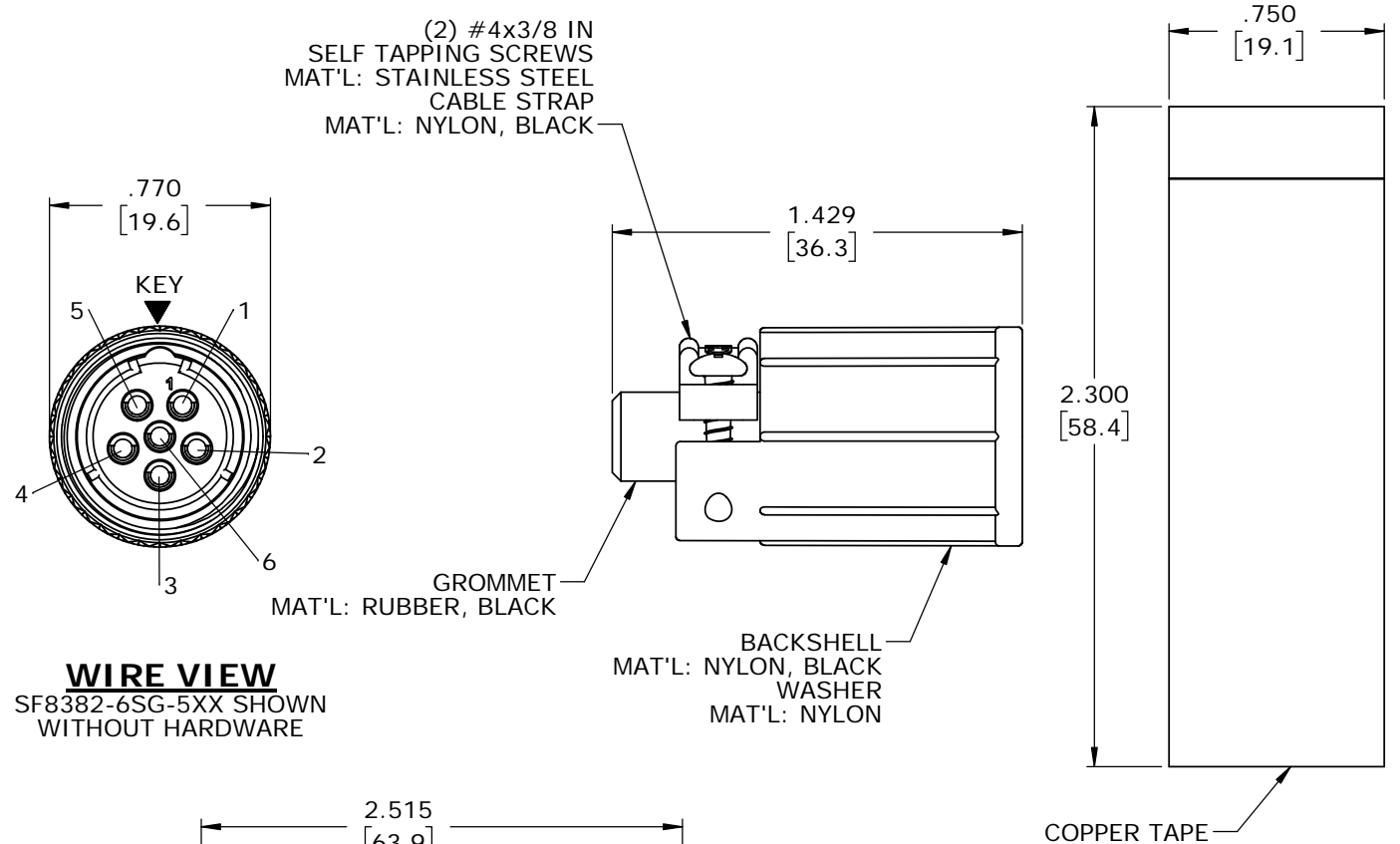
CUSTOMER PRINT

PART NUMBER: SF8382-XSG-5XX

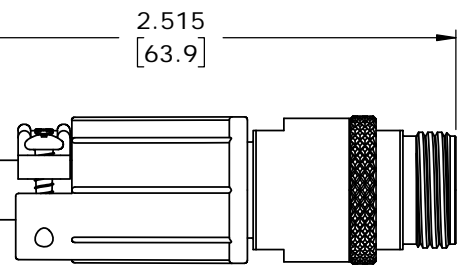
- NOTES:
 1. FINISHED ASSEMBLIES AND LOOSE PARTS BAGGED.
 2. LABEL WITH CONXALL PART NUMBER, DATE CODE AND P/N BARCODE PLACED ON BAG
 3. SEE DRAWING HPSFMISTD FOR HOLE PATTERNS
 4. FOR FIELD INSTALLATION, SEE INSTRUCTION SHEET 2 OF 2
 5. ALL DIMENSIONS ARE REFERENCE EXCEPT THOSE WITH A TOLERANCE

ASSEMBLY P/N	NO. OF CONTACT
SF8382-2SG-5XX	(2) #16
SF8382-3SG-5XX	(3) #16
SF8382-4SG-5XX	(4) #16
SF8382-5SG-5XX	(5) #16
SF8382-6SG-5XX	(6) #16

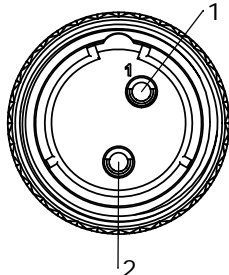
520 = BACKSHELL WITH Ø.220 [5.6] GROMMET I.D.
 530 = BACKSHELL WITH Ø.330 [8.4] GROMMET I.D.



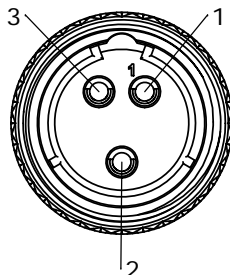
WIRE VIEW
 SF8382-6SG-5XX SHOWN WITHOUT HARDWARE



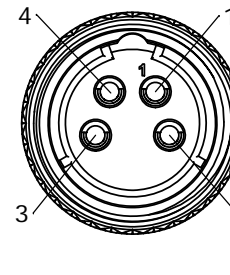
ASSEMBLED VIEW
 FOR CUSTOMER REFERENCE ONLY



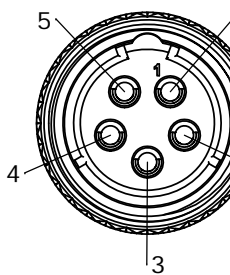
WIRE VIEW
 SF8382-2SG-5XX



WIRE VIEW
 SF8382-3SG-5XX



WIRE VIEW
 SF8382-4SG-5XX



WIRE VIEW
 SF8382-5SG-5XX

DIMENSIONS IN BRACKETS [] ARE IN MILLIMETERS

CUSTOMER APPROVAL

THIS DOCUMENT CONTAINS CONFIDENTIAL INFORMATION PROPRIETARY TO CONXALL CORPORATION. ANY REPRODUCTION, DISCLOSURE, OR USE OF THIS DOCUMENT /INFORMATION IS EXPRESSLY PROHIBITED UNLESS AUTHORIZED IN WRITING BY CONXALL CORPORATION.

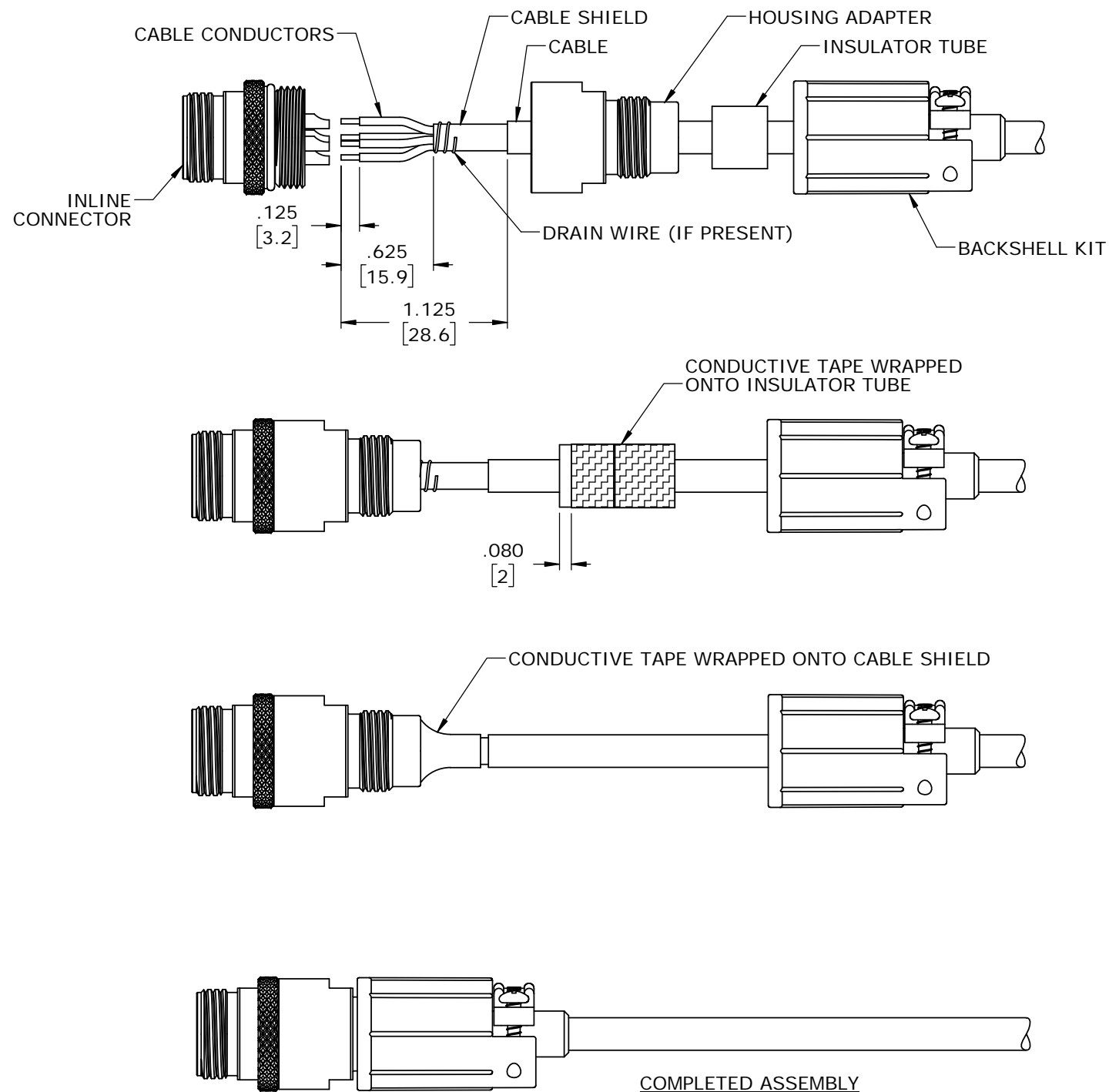
APPROVED BY: _____
 DATE: _____

MA	01-29-19	RELEASED PER PDR 17011
A	PNK	12-20-18
	PNK	1-30-18
REV.	INIT.	DATE
ALL INFORMATION ILLUSTRATED IS THE PROPERTY OF "CONXALL CORPORATION". UNAUTHORIZED DUPLICATION OR DISTRIBUTION OF THIS DOCUMENT IS PROHIBITED.		ORIG. DRAWN BY: PNK
		DATE: 1-30-18
ALL UNITS ARE IN FEET, INCHES, FRACTION OF INCHES AND DECIMALS.		CHECKED BY:
UNLESS OTHERWISE SPECIFIED TOLERANCES: 3 PLACE DECIMALS ± .005 ANGLES ± 1° FRACTIONS ± 1/16		APPROVED BY:
SCALE	SIZE	SHEET
NTS	B	1 OF 2
FILE:	DIRECTORY:	PART NUMBER:
SF8382-XSG-5XX	SLW	SF8382-XSG-5XX
- CRITICAL CHARACTERISTIC FLAG PER SPEC. XXXX		REV A



601 E. WILDWOOD VILLA PARK, IL 60181
 TITLE: CABLE-TO-CABLE ASSEMBLY (2-6) #16 SOCKET CONTACTS, SOLDER SHIELDED MINI-CON-X STANDARD PRODUCT
 CUSTOMER: STANDARD PRODUCT

RoHS COMPLIANT



CABLE WIRING AND ASSEMBLY INSTRUCTIONS:

- STEP 1.** SLIDE HOUSING ADAPTER, INSULATOR TUBE, AND BACKSHELL KIT, ONTO CABLE IN THE ORDER SHOWN.
- STEP 2.** STRIP CABLE JACKET AND WIRES TO LENGTH. EXCESS CABLE SHIELD MUST BE TRIMMED OR WRAPPED AROUND WIRES. IF PRESENT, USE THE DRAIN WIRE TO WRAP THE CABLE SHIELD IN PLACE.
- STEP 3.** SOLDER WIRES TO CONTACTS.
- STEP 4.** THREAD HOUSING ADAPTER ONTO CONNECTOR AND TIGHTEN TO 5 LB-IN [0.56 N-m] MINIMUM TORQUE.
- STEP 5.** PEEL-OFF THE BACKING OF THE CONDUCTIVE TAPE AND WRAP IT AROUND THE INSULATOR AS SHOWN.
- STEP 6.** SLIDE INSULATOR/CONDUCTIVE TAPE INTO THE BACK OF THE CONNECTOR. FORM FREE END OF CONDUCTIVE TAPE TIGHTLY ONTO THE SHIELD OF THE CABLE.
- STEP 7.** SLIDE AND THREAD THE BACKSHELL KIT ONTO CONNECTOR. TIGHTEN TO 5 LB-IN [0.56 N-m] MINIMUM TORQUE.
- STEP 8.** TIGHTEN THE TWO BACKSHELL SCREWS TO SECURE THE CABLE IN THE BACKSHELL.

MA	04-03-19	RELEASED PER PDR 17011	
A	PNK	12-20-18	O-RING 4290S REPLACES SF6290S-1.
	PNK	1-30-18	DRAWING CREATED PER PDR 17011
REV.	INIT.	DATE	DESCRIPTION
ALL INFORMATION ILLUSTRATED IS THE PROPERTY OF CONXALL CORPORATION. UNAUTHORIZED DUPLICATION OR DISTRIBUTION OF THIS DOCUMENT IS PROHIBITED.		ORIG. DRAWN BY: PNK	DATE: 1-30-18
ALL UNITS ARE IN FEET, INCHES, FRACTION OF INCHES AND DECIMALS.		CHECKED BY:	 601 E. WILDWOOD VILLA PARK, IL 60181
UNLESS OTHERWISE SPECIFIED TOLERANCES: 3 PLACE DECIMALS ± .005 ANGLES ± 1° FRACTIONS ± 1/16		APPROVED BY:	
SCALE	SIZE	SHEET	TITLE:
NTS	B	2 OF 2	CABLE-TO-CABLE ASSEMBLY (2-6) #16 SOCKET CONTACTS, SOLDER SHIELDED MINI-CON-X
FILE:	DIRECTORY:	PART NUMBER:	CUSTOMER:
FILE NAME	SLW	SF8382-XSG-5XX	STANDARD PRODUCT
		REV	A

X-ON Electronics

Largest Supplier of Electrical and Electronic Components

Click to view similar products for [Standard Circular Connector](#) category:

Click to view products by [Switchcraft](#) manufacturer:

Other Similar products are found below :

[5M2530B10P](#) [600259N006](#) [600273N007](#) [6134-336-13149](#) [6134-337-11149](#) [6134-337-2390](#) [6134-341-17149](#) [6280-4SG-516](#) [6280-7SG-3DC](#)
[6290](#) [6291A](#) [66200A-10](#) [680-SMG](#) [681-PMG](#) [CXS3102A14S2P](#) [CXS3102A181S](#) [7271-6SG-300](#) [7282-3PG-300-CH3](#) [75-474618-01S](#) [75-](#)
[474618-04P](#) [75-474618-04S](#) [799539-000](#) [MI8-SE](#) [805-005-07NF11-19PC](#) [805-005-07NF15-7PA](#) [8280-4PG-516](#) [8280-7PG-519](#) [8282-5PG-](#)
[519](#) [836783-1](#) [MP-4102-25P-C](#) [862256-1](#) [864019-2](#) [866857-1](#) [867865-1](#) [PT01SP-14-18P](#) [PT08P-14-5S](#) [120-1833-000](#)
[QCM019PC2DC012B](#) [1-2069279-1](#) [121583-0217](#) [121667-0020](#) [129591AU](#) [1000B BULK](#) [RD10A16-19-P6CS051/1](#) [RD10A20-31-](#)
[P8CS051/1](#) [RD16A14-12-S6CS051/2](#) [1301240290](#) [1301240347](#) [1301860202](#) [1301240268](#) [1301240275](#)