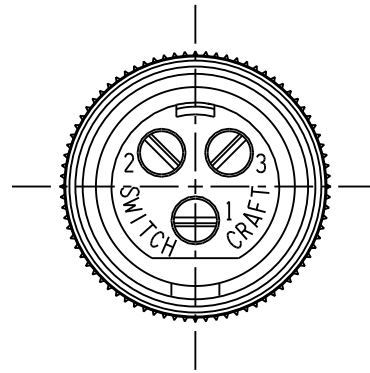
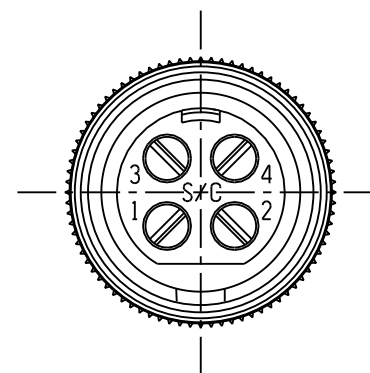


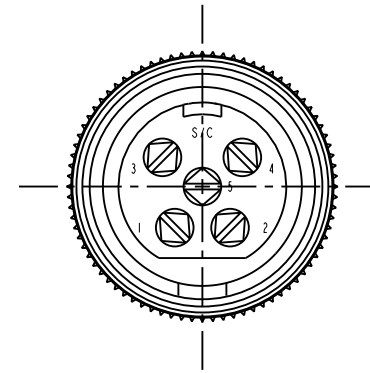
SL402FX
2 PIN



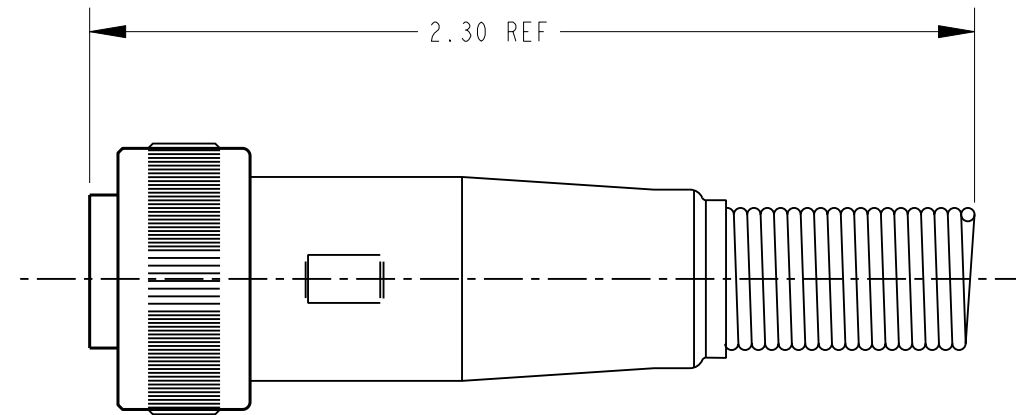
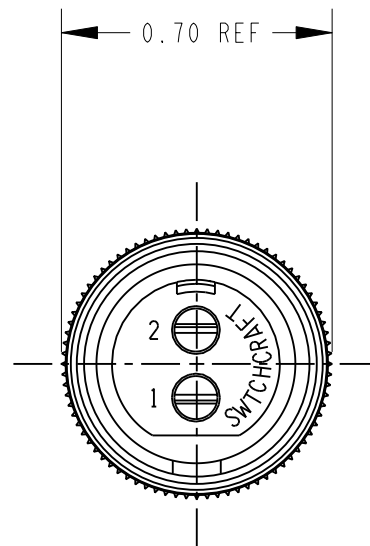
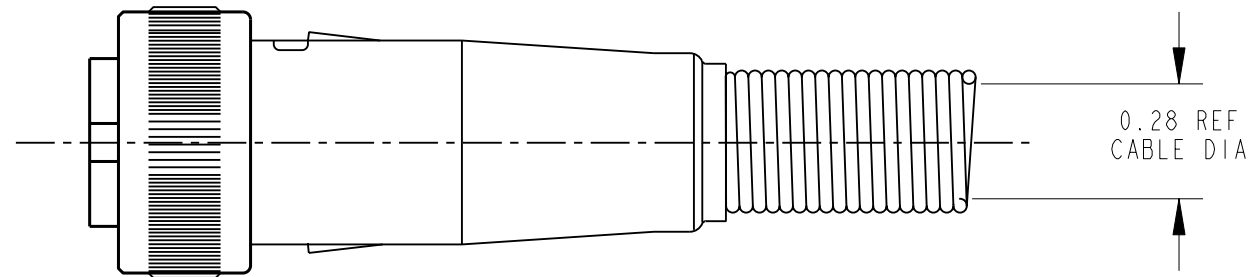
SL403FX
3 PIN



SL404FX
4 PIN



SL405FX
5 PIN



CUSTOMER DRAWING

NOTES:

- MATERIALS:
HOUSING - COPPER ALLOY, NICKEL PLATED
INSERT - GLASS REINFORCED THERMOPLASTIC
CONTACTS - COPPER ALLOY SILVER PLATED
CABLE CLAMP - STEEL, TIN PLATED
STRAIN RELIEF - STEEL, NICKEL PLATED
LATCH - STEEL, NICKEL PLATED
- THESE PRODUCTS ARE RoHS COMPLIANT.

REV	ECO NUMBER	DATE	BY	APVD
A	26152	9-18-06	TJK	TJK
REVISIONS				

★ STAR SYMBOL DENOTES CRITICAL DIMENSION

UNLESS OTHERWISE SPECIFIED

- ALL DIMENSIONS IN INCHES
- TWO PLACE DECIMALS ±0.01
- THREE PLACE DECIMALS ±0.005
- ANGLES ±1°
- ALL DIA. CONCENTRIC WITHIN 0.005 T.I.R.
- FEATURES ON THE SAME CENTERLINE MUST BE ALIGNED WITHIN ±0.002
- REMOVE ALL BURRS

DO NOT SCALE DRAWING

THIS DRAWING DESCRIBES A DESIGN CONSIDERED PROPRIETARY IN NATURE, DEVELOPED AND MANUFACTURED BY SWITCHCRAFT INC. AND IS RELEASED ON A CONFIDENTIAL BASIS FOR IDENTIFICATION PURPOSES ONLY.									
SIZE		WIDTH		MULT		LBS/M		TEMPER	
FINISH					MATERIAL				
SPEC No.					SPEC No.				
FIRST USED ON				SCALE					
				2:1					
DATE DRAWN	BY	CHKD	APVD	Switchcraft [®]					
15-May-07	TJK	TJK	TJK						
				SHEET		OF		REV	
NAME				PART No.					
SLIM-LINE FEMALE CABLE CONNECTOR, RoHS				SL402FX-SL405FX				A	

X-ON Electronics

Largest Supplier of Electrical and Electronic Components

Click to view similar products for [XLR Connectors](#) category:

Click to view products by [Switchcraft](#) manufacturer:

Other Similar products are found below :

[707-0300](#) [A3F01](#) [A3M01](#) [QGP3F](#) [HA16PRM-3SG\(71\)](#) [AA3FL](#) [AAA4FWZ](#) [AAA4MWZ](#) [AC5FPZB](#) [AC6AFDZV](#) [D4FB](#) [DE4MW](#)
[E3MBAUSW](#) [99.265.0400.0](#) [A3F04](#) [AC3FG](#) [AC4-FCP](#) [AQG4F](#) [2504FP](#) [R6MZ](#) [3FD-V-I-B](#) [3MD-V-I-B](#) [TA01](#) [TA3MWX](#) [TA5MLWX](#)
[TRASM4M1X](#) [TRASM7M1X](#) [ML1](#) [TS05TS](#) [3FD-L-I-\(O\)](#) [D6FDB](#) [DB25FTRS](#) [DHNF-BAG-MAD](#) [DHNF-BAG-O](#) [DHNM-BAG](#)
[XLRF05TRS](#) [XLRM05XLRF](#) [XLRM05XLRFB](#) [XLRM10XLRF](#) [E3FBAUSW](#) [E3FSW](#) [E3MSW](#) [SR03](#) [TA4FLWX](#) [TA6FLWX](#)
[TRAPC8M1X](#) [TRASM6M1X](#) [TRS10TRS](#) [TRSF05XLRM](#) [TRSF10XLRM](#)