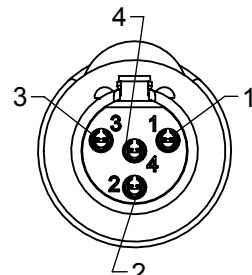


TA3FS SERIES
3 PIN



TA4FS SERIES
4 PIN



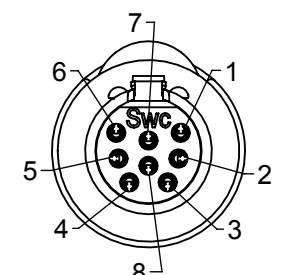
TA5FS SERIES
5 PIN



TA6FS SERIES
6 PIN

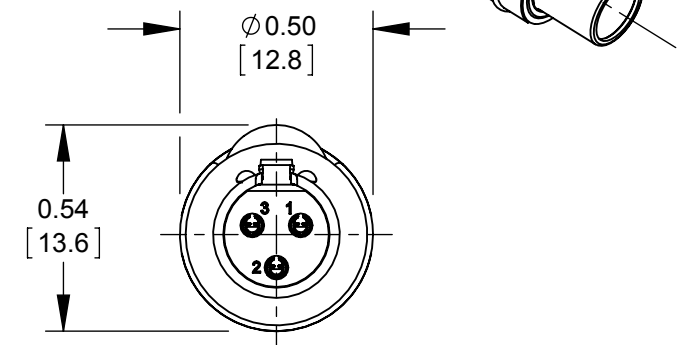
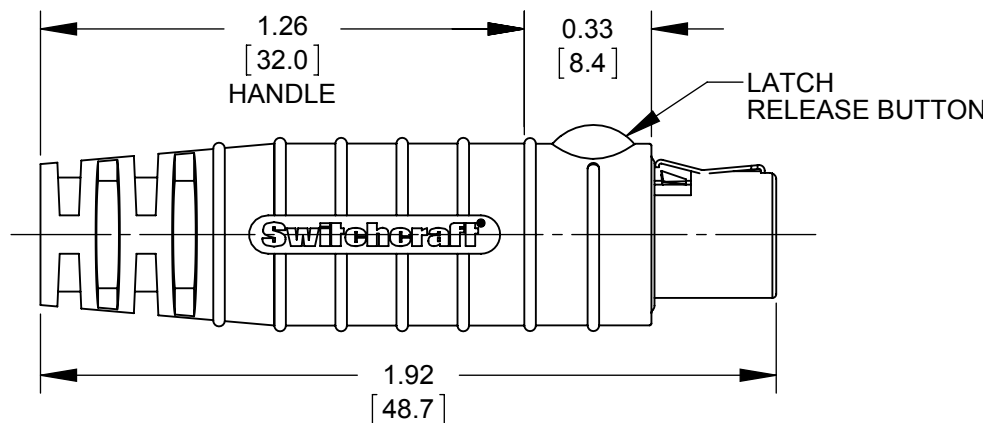
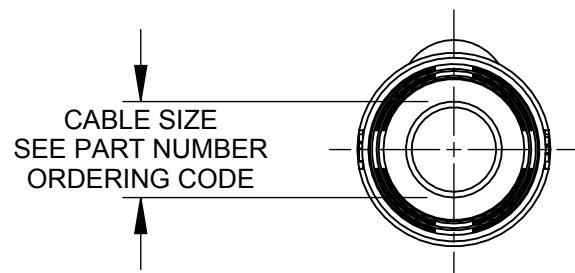
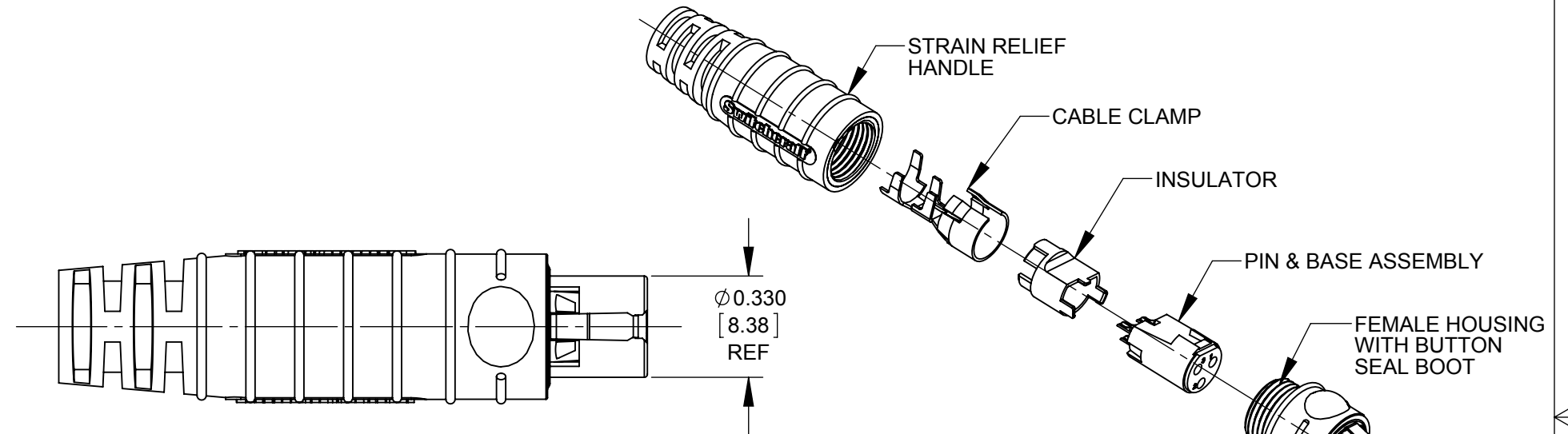


TA7FS SERIES
7 PIN



TA8FS SERIES
8 PIN

AS VIEWED FROM FRONT MATING SIDE



TA3FS SHOWN

CUSTOMER DRAWING

NOTES:

1. MATERIALS:

- HOUSING - COPPER ALLOY, NICKEL PLATED
- PIN CONTACTS - COPPER ALLOY, SILVER PLATED
- LATCH BUTTON - RIGID THERMOPLASTIC, BLACK
- PIN INSULATOR - RIGID THERMOPLASTIC, DARK BROWN
- LATCH SPRING - COPPER ALLOY, NICKEL PLATED
- CABLE CLAMP - STEEL, TIN PLATED
- BUTTON SEAL BOOT - THERMOPLASTIC RUBBER, BLACK
- INSERT MOLDED HANDLE - THERMOPLASTIC RUBBER OVER RIGID THERMOPLASTIC, BLACK

2. THIS PRODUCT IS RoHS COMPLIANT.

					THIS DRAWING DESCRIBES A DESIGN CONSIDERED PROPRIETARY IN NATURE, DEVELOPED AND MANUFACTURED BY SWITCHCRAFT INC. AND IS RELEASED ON A CONFIDENTIAL BASIS FOR IDENTIFICATION PURPOSES ONLY.				
					SIZE	WIDTH	MULT	LBS/M	TEMPER
					FINISH			MATERIAL	
					SPEC No.			SPEC No.	
					FIRST USED ON		SCALE		
							2:1		
DATE DRAWN		BY	CHKD	APVD					
1/29/13		AB	AB	TJK					
			1/29/13	9-28-15					
REV					NAME		PART No.		
ECO NUMBER					SEALED TINI Q-G		TA_FS SERIES		
DATE					FEMALE, ROHS				
BY							REV		
APVD							B		
REVISIONS					DO NOT SCALE DRAWING				

X-ON Electronics

Largest Supplier of Electrical and Electronic Components

Click to view similar products for [XLR Connectors](#) category:

Click to view products by [Switchcraft](#) manufacturer:

Other Similar products are found below :

[707-0300](#) [A3F01](#) [A3M01](#) [QGP3F](#) [HA16PRM-3SG\(71\)](#) [AA3FL](#) [AAA4FWZ](#) [AAA4MWZ](#) [AC5FPZB](#) [AC6AFDZV](#) [D4FB](#) [DE4MW](#)
[E3MBAUSW](#) [99.265.0400.0](#) [A3F04](#) [AC3FG](#) [AC4-FCP](#) [AQG4F](#) [2504FP](#) [R6MZ](#) [3FD-V-I-B](#) [3MD-V-I-B](#) [TA01](#) [TA3MWX](#) [TA5MLWX](#)
[TRASM4M1X](#) [TRASM7M1X](#) [ML1](#) [TS05TS](#) [3FD-L-I-\(O\)](#) [D6FDB](#) [DB25FTRS](#) [DHNF-BAG-MAD](#) [DHNF-BAG-O](#) [DHNM-BAG](#)
[XLRF05TRS](#) [XLRM05XLRFB](#) [XLRM05XLRFB](#) [XLRM10XLRFB](#) [E3FBAUSW](#) [E3FSW](#) [E3MSW](#) [SR03](#) [TA4FLWX](#) [TA6FLWX](#)
[TRAPC8M1X](#) [TRASM6M1X](#) [TRS10TRS](#) [TRSF05XLRM](#) [TRSF10XLRM](#)