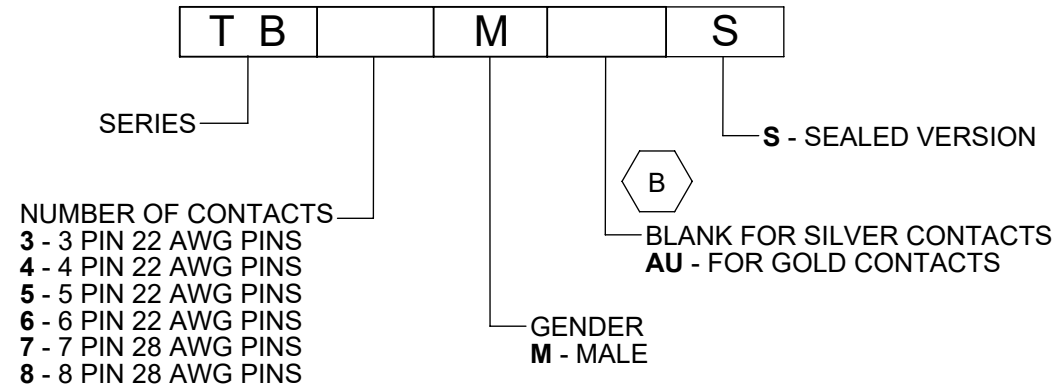
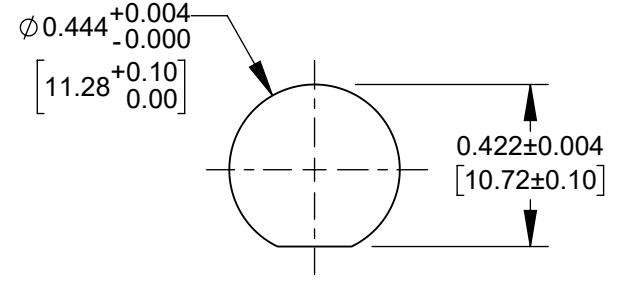


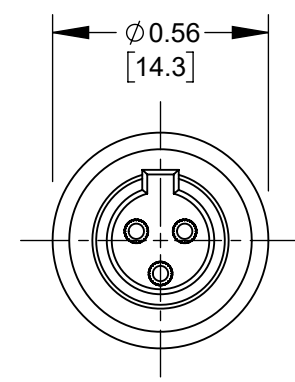
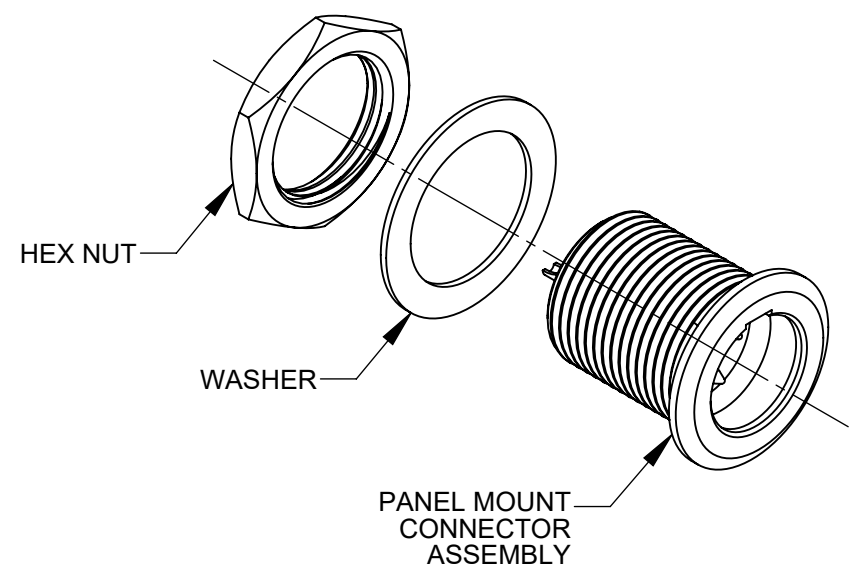
AS VIEWED FROM FRONT MATING SIDE



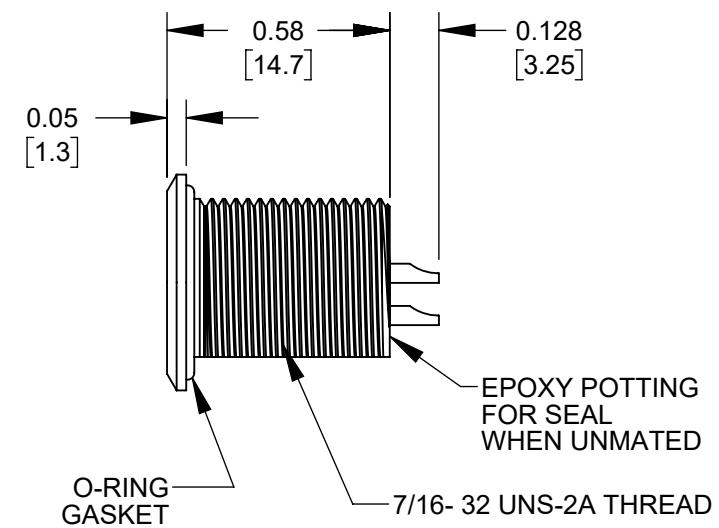
PART NUMBER ORDERING CODE



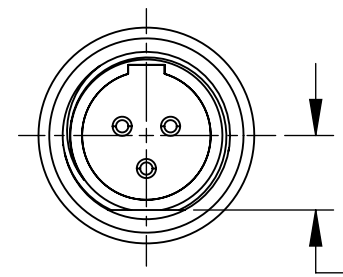
RECOMMENDED PANEL CUTOUT



FRONT VIEW



TB3MS SHOWN



REAR VIEW

CUSTOMER DRAWING

- NOTES:
- MATERIALS:**  
 HOUSING - COPPER ALLOY, NICKEL PLATED  
 PIN CONTACTS - COPPER ALLOY, SILVER OR GOLD PLATED  
 PIN INSULATOR - THERMOPLASTIC RUBBER, BLACK  
 HEX NUT & WASHER - COPPER ALLOY, NICKEL PLATED  
 O-RING GASKET - THERMOPLASTIC RUBBER, BLACK
  - PRODUCT IS RATED IP-66 MATED AND IP-65 UNMATED.
  - THIS PRODUCT IS RoHS COMPLIANT.

REV	ECO NUMBER	DATE	BY	APVD
C	28414	07-16-21	PC	TJK
B	27989	1-12-18	PC	TJK
A	27552	8-14-15	TO	TJK

REVISIONS

UNLESS OTHERWISE SPECIFIED

1. ALL DIMENSIONS IN INCHES [mm]  
 - TWO PLACE DECIMALS ±0.02 [0.5]  
 - THREE PLACE DECIMALS ±0.005 [0.13]

DO NOT SCALE DRAWING

THIS DRAWING DESCRIBES A DESIGN CONSIDERED PROPRIETARY IN NATURE, DEVELOPED AND MANUFACTURED BY SWITCHCRAFT INC. AND IS RELEASED ON A CONFIDENTIAL BASIS FOR IDENTIFICATION PURPOSES ONLY.											
SIZE	WIDTH	MULT	LBS/M	TEMPER							
FINISH					MATERIAL						
SPEC No.					SPEC No.						
FIRST USED ON				SCALE 2:1							
DATE DRAWN	BY	CHKD	APVD	Switchcraft®							
1/29/13	AB	AB	TJK	SHEET 1 OF 1							
				1/29/13				9-28-15		PART No. TB_MS SERIES	
NAME TINI Q-G MINI XLR CONNECTOR SEALED MALE PANEL MOUNT, RoHS											
REV C											

## X-ON Electronics

Largest Supplier of Electrical and Electronic Components

*Click to view similar products for [XLR Connectors](#) category:*

*Click to view products by [Switchcraft](#) manufacturer:*

Other Similar products are found below :

[707-0300](#) [A3F01](#) [A3M01](#) [QGP3F](#) [HA16PRM-3SG\(71\)](#) [AA3FL](#) [AAA4FWZ](#) [AAA4MWZ](#) [AC5FPZB](#) [AC6AFDZV](#) [D4FB](#) [DE4MW](#)  
[E3MBAUSW](#) [99.265.0400.0](#) [A3F04](#) [AC3FG](#) [AC4-FCP](#) [AQG4F](#) [2504FP](#) [R6MZ](#) [3FD-V-I-B](#) [3MD-V-I-B](#) [TA01](#) [TA3MWX](#) [TA5MLWX](#)  
[TRASM4M1X](#) [TRASM7M1X](#) [ML1](#) [TS05TS](#) [3FD-L-I-\(O\)](#) [D6FDB](#) [DB25FTRS](#) [DHNF-BAG-MAD](#) [DHNF-BAG-O](#) [DHNM-BAG](#)  
[XLRF05TRS](#) [XLRM05XLRF](#) [XLRM05XLRFB](#) [XLRM10XLRF](#) [E3FBAUSW](#) [E3FSW](#) [E3MSW](#) [SR03](#) [TA4FLWX](#) [TA6FLWX](#)  
[TRAPC8M1X](#) [TRASM6M1X](#) [TRS10TRS](#) [TRSF05XLRM](#) [TRSF10XLRM](#)