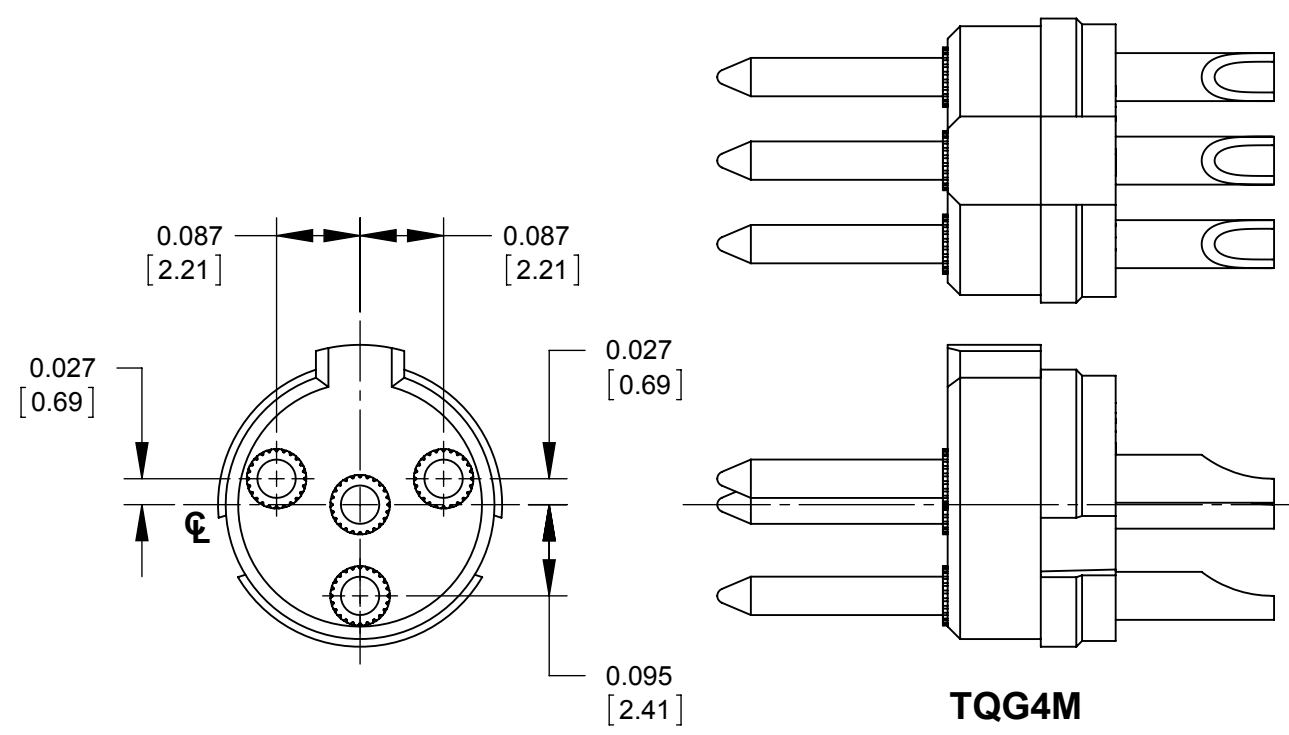
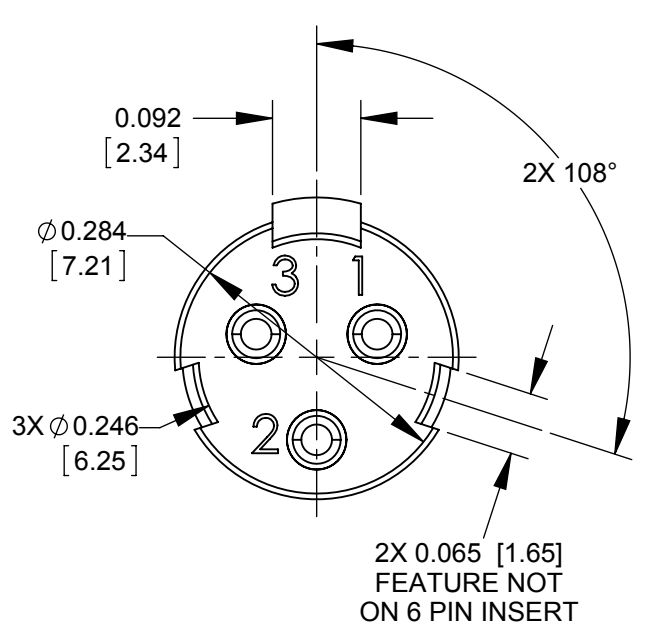
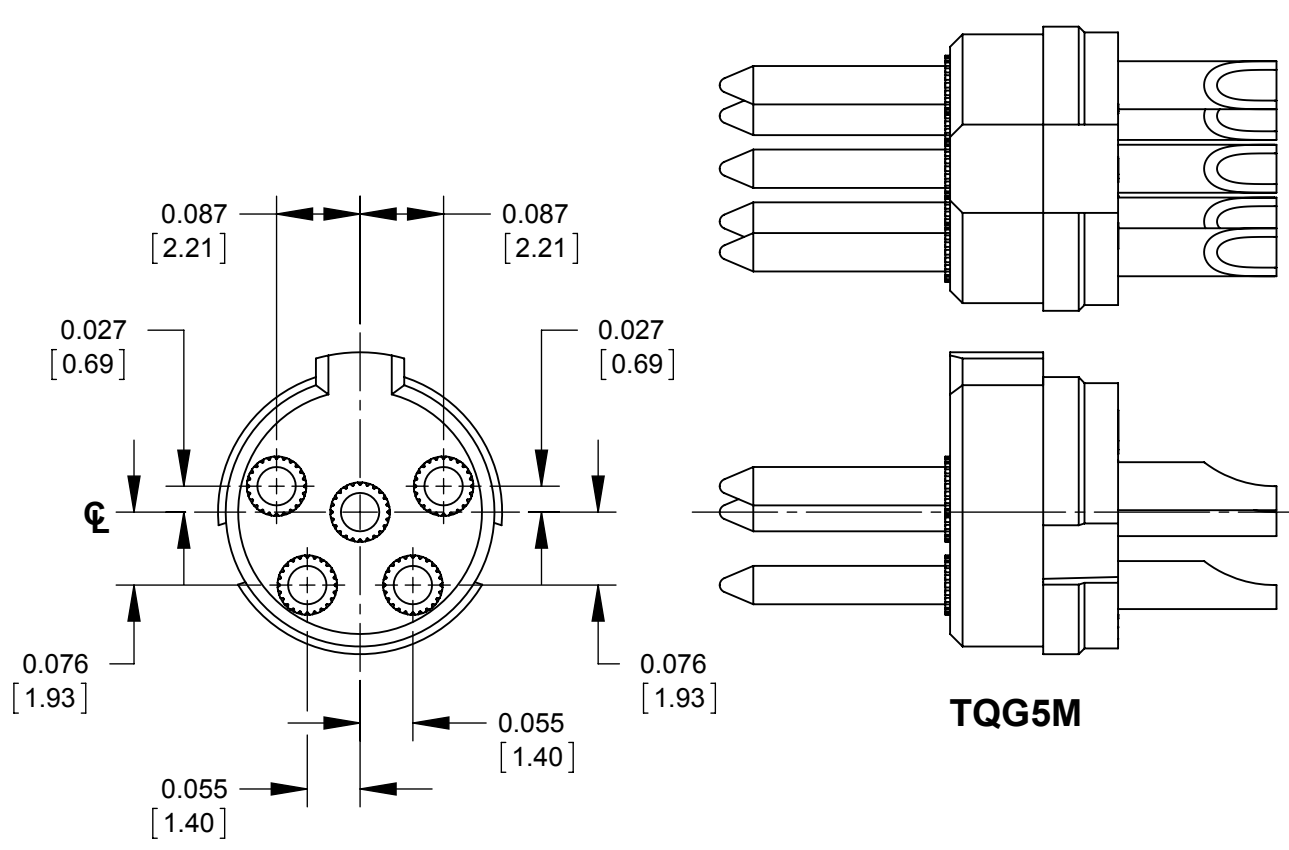
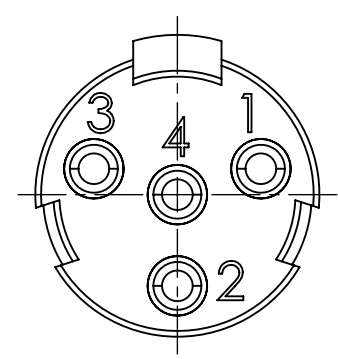


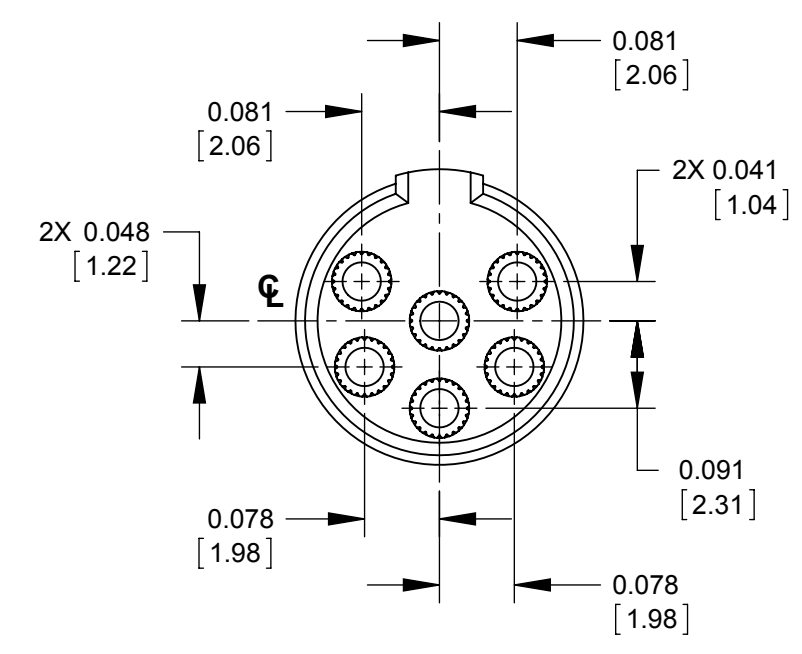
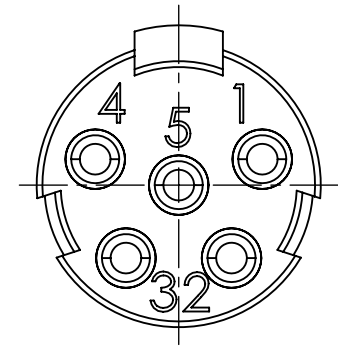
**TQG3M**



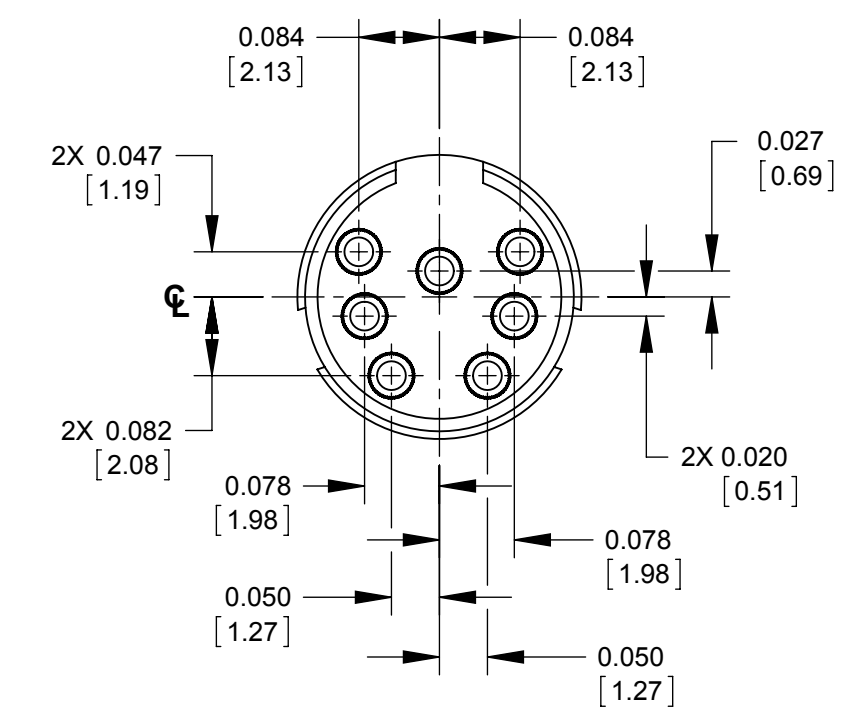
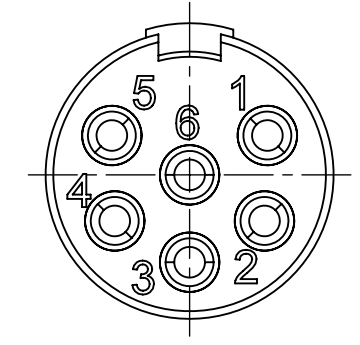
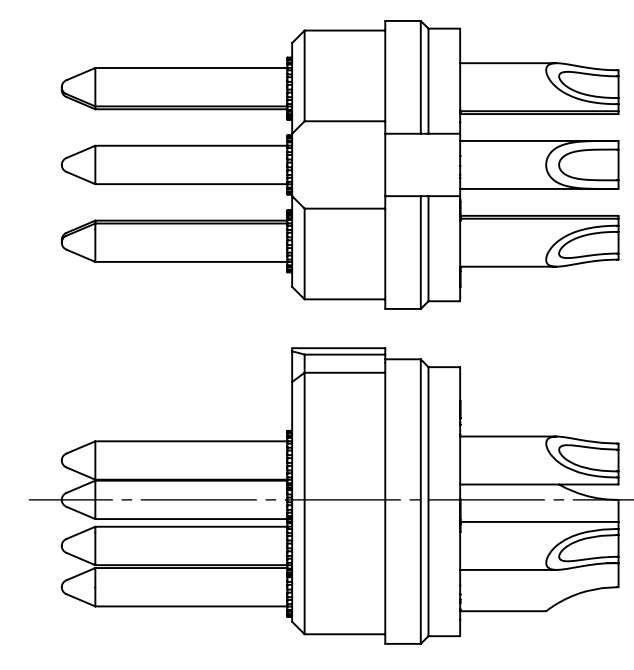
**TQG4M**



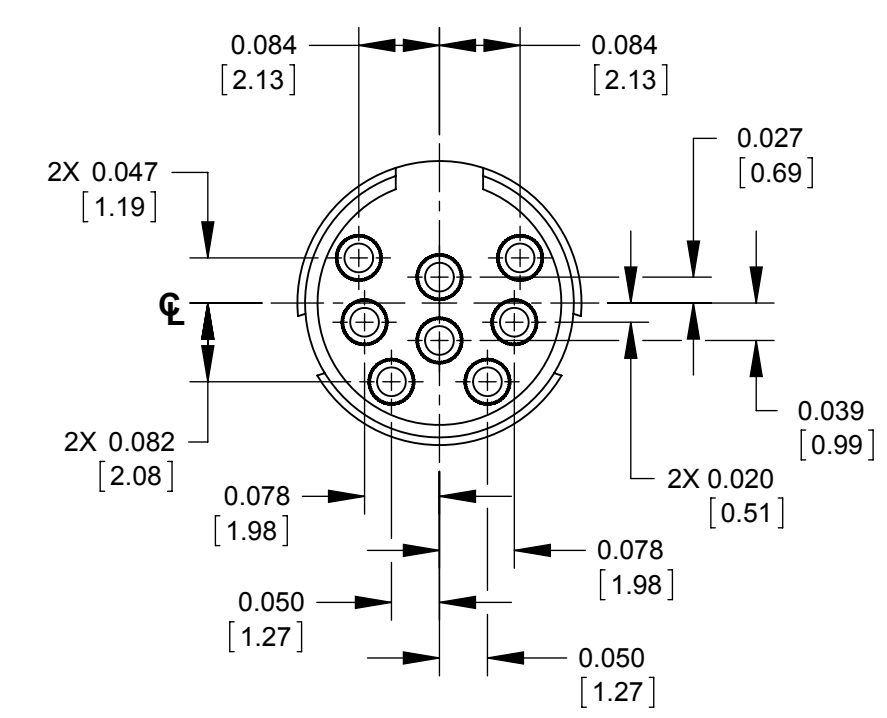
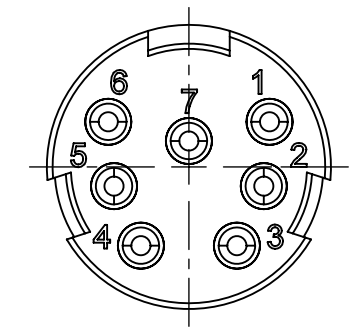
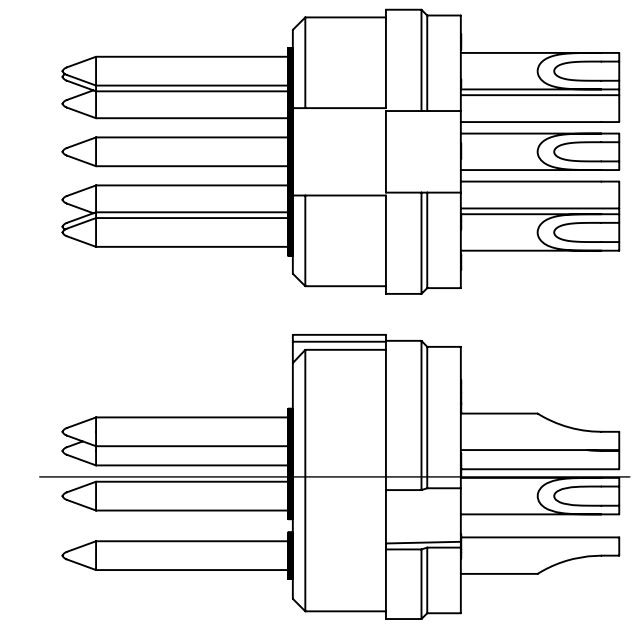
**TQG5M**



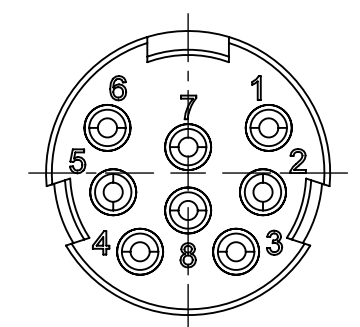
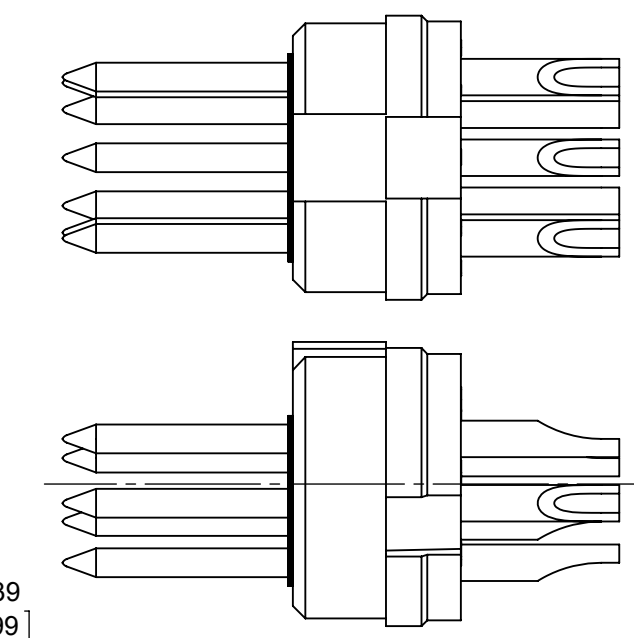
**TQG6M**



**TQG7M**



**TQG8M**



- NOTES:**
1. ALL DIMENSIONS ARE FOR REFERENCE ONLY.
  2. MATERIALS:  
CONTACTS - COPPER ALLOY, SILVER PLATED  
ADD "AU" SUFFIX FOR GOLD PLATED CONTACTS  
INSERT - THERMOPLASTIC, DARK BROWN
  3. THESE PRODUCTS ARE RoHS COMPLIANT.

**CUSTOMER DRAWING**

				THIS DRAWING DESCRIBES A DESIGN CONSIDERED PROPRIETARY IN NATURE, DEVELOPED AND MANUFACTURED BY SWITCHCRAFT INC. AND IS RELEASED ON A CONFIDENTIAL BASIS FOR IDENTIFICATION PURPOSES ONLY.			
UNLESS OTHERWISE SPECIFIED		SIZE	WIDTH	MULT	LBS/M	TEMPER	
1. ALL DIMENSIONS IN INCHES [mm]		FINISH		MATERIAL			
- TWO PLACE DECIMALS ±0.02 [0.5]		SPEC No.		SPEC No.			
- THREE PLACE DECIMALS ±0.005 [0.13]		FIRST USED ON		SCALE			
		5:1					
J	REDRAWN 27333	07/25/14	PC	TJK	DATE DRAWN	BY	CHKD
REV	ECO NUMBER	DATE	BY	APVD	08/08/94	WJS	09/08/94
REVISIONS				DO NOT SCALE DRAWING			
				NAME		PART No.	
				TINI QG MALE INSERT, RoHS		TQG_M SERIES	
				SolidWorks CAD File		REV J	

**Switchcraft®**

SHEET 1 OF 1

## X-ON Electronics

Largest Supplier of Electrical and Electronic Components

*Click to view similar products for [XLR Connectors](#) category:*

*Click to view products by [Switchcraft](#) manufacturer:*

Other Similar products are found below :

[HA16PRQ-3SE\(71\)](#) [AAA4FWZ](#) [AAA4MWZ](#) [AC5FPZB](#) [DE4MW](#) [E3MBAUSW](#) [99.265.0400.0](#) [AC4-FCP](#) [AQG4F](#) [3FD-V-I-B](#) [3MD-V-I-B](#)  
[TA01](#) [TA3MWX](#) [TA5MLWX](#) [TRASM4M1X](#) [ML1](#) [3FD-L-I\(O\)](#) [DHNF-BAG-O](#) [E3FBAUSW](#) [E3FSW](#) [TA4FLWX](#) [TA6FLWX](#) [WP2S4P](#)  
[WP1S1](#) [WP1B2](#) [TA5FLWX](#) [NC3FEZY-P](#) [NC3FG-V](#) [NC6FSD-LX](#) [NC6MSD-LX](#) [NCJ6FK-V](#) [NCXX-PROMO](#) [NA2FPMM/W](#) [NC3FD-L](#)  
[NC3FD-L-0-1](#) [NC3FX-1-D](#) [NC3MX-1-D](#) [NC3MXY-B](#) [NC5FDM3-V-BAG](#) [SL04](#) [3FD-V-I-0](#) [AC3-FIC](#) [E3FBSW](#) [E3MBSW](#) [AC6AMJ-AU](#)  
[TRG4MX](#) [352AX](#) [TRGS4F](#) [TRG4M](#) [AC5MJ BULK](#)