

**NOTES:**

1. HARDWARE SHIPPED UNASSEMBLED.
2. THIS JACK SHOULD BE ONLY USED WITH SWITCHCRAFT  $\varnothing 0.097$  SUBMINIATURE PHONE PLUGS. (850 & 851 SERIES)

**3. MATERIALS:**

BUSHING - NICKEL-PLATED COPPER ALLOY  
 INSULATING SPACERS - RIGID PLASTIC  
 TIP, SHUNT AND SLEEVE TERMINALS - SILVER-PLATED COPPER ALLOY  
 HARDWARE - NICKEL-PLATED COPPER ALLOY

**4. SPECIFICATION:**

SPRING LIFE, INSERTION AND WITHDRAWAL, 2500 CYCLES  
 SEE NOTE 2

DIELECTRIC STRENGTH, 250 VRMS A.C. BETWEEN TIP SPRING  
 AND BUSHING AND BETWEEN BREAK SHUNT SPRING AND BUSHING.

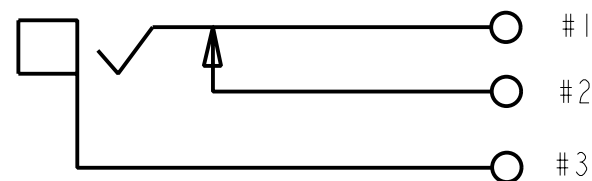
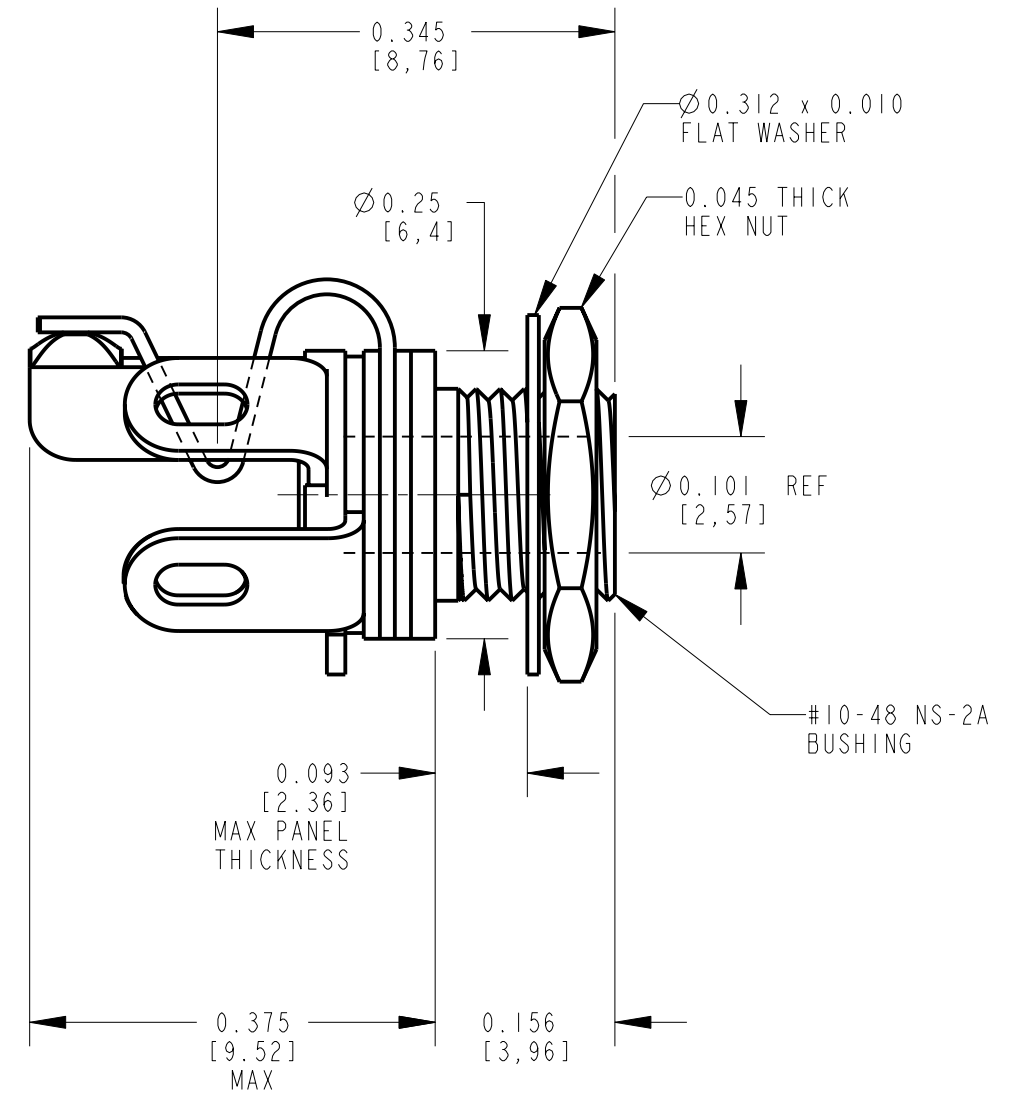
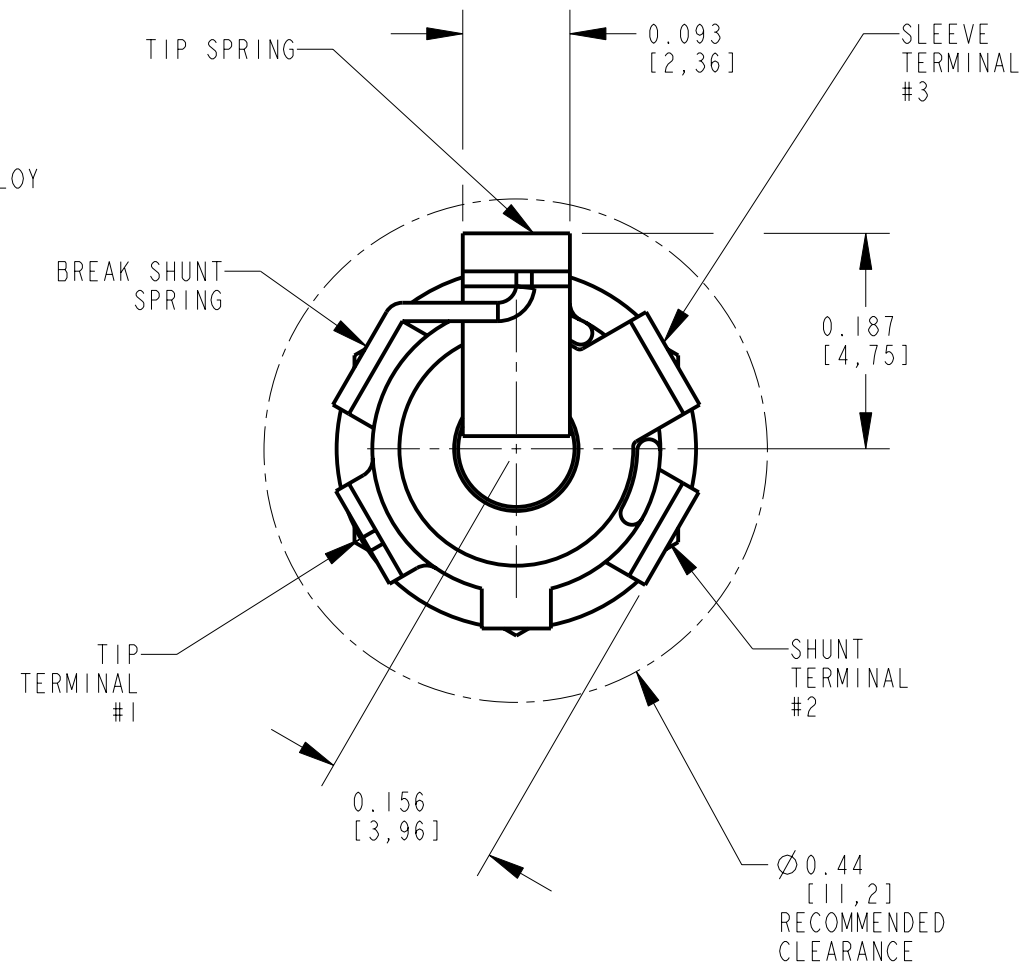
CONTACT RESISTANCE: 0.1 OHM MAX. BETWEEN TIP SPRING  
 AND BREAK SHUNT SPRING.

CAPACITANCE BETWEEN ONE CONTACT AND ALL OTHER  
 CONDUCTING PARTS TO BE 12 MMFD MAX.

INSULATION RESISTANCES:  
 AS RECEIVED: 75 MEGOHMS (MAX)  
 WET: 1.5 MEGOHMS (MIN)  
 (MEASURED FROM ONE CONTACT TO  
 ALL OTHER CONDUCTING PARTS)

SAFE OPERATION TEMP.: 75°C (MAX)

INSERTION FORCE: 21LBS. (MAX)  
 WITHDRAWAL FORCE: 0.5LB. (MIN)  
 SEE NOTE 2



SCHEMATIC

CUSTOMER DRAWING

					★ STAR SYMBOL DENOTES CRITICAL DIMENSION	THIS DRAWING DESCRIBES A DESIGN CONSIDERED PROPRIETARY IN NATURE, DEVELOPED AND MANUFACTURED BY SWITCHCRAFT INC. AND IS RELEASED ON A CONFIDENTIAL BASIS FOR IDENTIFICATION PURPOSES ONLY.					
					UNLESS OTHERWISE SPECIFIED	SIZE	WIDTH	MULT	LBS/M	TEMPER	
E	24774	10-1-07	JL	TJK	1. ALL DIMENSIONS IN INCHES - TWO PLACE DECIMALS $\pm 0.01$ - THREE PLACE DECIMALS $\pm 0.005$ - ANGLES $\pm 1$ - ALL DIA. CONCENTRIC WITHIN 0.005 T.I.R.  2. FEATURES ON THE SAME CENTERLINE MUST BE ALIGNED WITHIN $\pm 0.002$  3. REMOVE ALL BURRS	FINISH		MATERIAL			
D	21206	1-27-97	CR	JF		SPEC No.		SPEC No.			
C	20848	1-27-97	CR	JF		FIRST USED ON		SCALE			
B	20834	1-27-97	CR	JF		6:1					
A	20627	3-5-96	CR	JF		DATE DRAWN	BY	CHKD	APVD	SHEET   OF	
REV	ECO NUMBER	DATE	BY	APVD	NAME		PART No.		REV		
REVISIONS					DO NOT SCALE DRAWING					TR SERIES (MICRO) SUBMINIATURE JACK TYPE 2	
										TR2A	
										E	

## X-ON Electronics

Largest Supplier of Electrical and Electronic Components

*Click to view similar products for [Phone Connectors](#) category:*

*Click to view products by [Switchcraft](#) manufacturer:*

Other Similar products are found below :

[M444B](#) [6J1041A](#) [R4F](#) [E12BPKG](#) [ECP4PKG](#) [161-3502L-E](#) [MT333X](#) [171-0350-EX](#) [171-101A-EX](#) [171-3325-EX](#) [176S](#) [NC3MG-V](#)  
[NS112BX](#) [NYS228G](#) [P10834](#) [P2380](#) [P2381X](#) [P2411X](#) [P2412](#) [P2724](#) [JM2PB-AU BULK](#) [9144](#) [S2674](#) [280L](#) [163-158N-2-E](#) [171-3308-EX](#)  
[171-3500-E](#) [2501FT](#) [CMT335](#) [M10662](#) [330Q](#) [RJ5VI-S](#) [40116](#) [TM1R-AU](#) [TM2PBMJ-AU](#) [TM2PJ-AU](#) [TM2PJ-AU BULK](#) [4803.1351](#)  
[49201](#) [49205](#) [TS3PBJ-AU](#) [TS3PBMJ-AU](#) [TT32BX](#) [54B](#) [C55BX](#) [40112](#) [40205](#) [415](#) [XMT332B](#) [52170017-331](#)