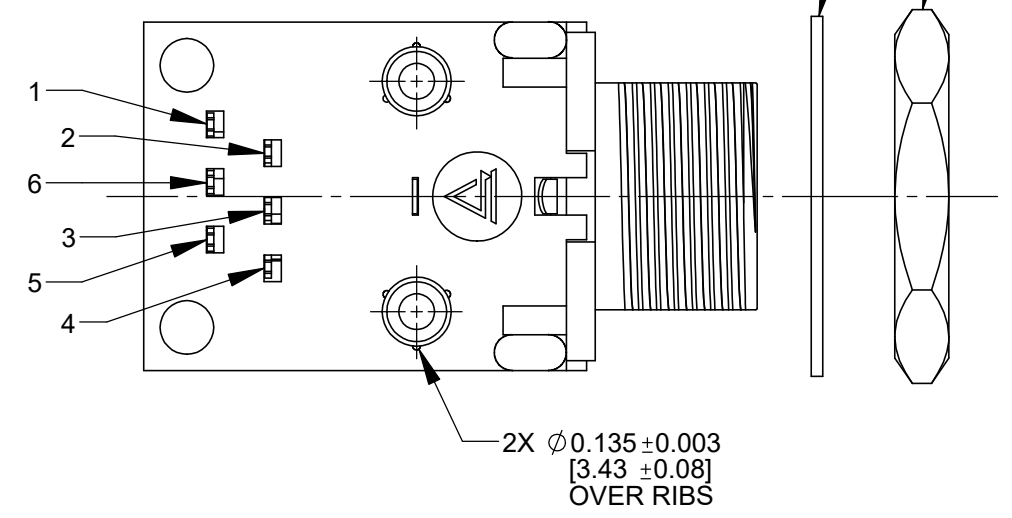


RECOMMENDED PC BOARD LAYOUT
COMPONENT SIDE



- NOTES:**
- MATERIALS:**
BUSHING - ZINC ALLOY, NICKEL PLATED
HOUSING - THERMOPLASTIC, BLACK
CONTACTS & TERMINALS - COPPER ALLOY, TIN PLATED
GROUND TERMINAL - SPECIAL COPPER ALLOY, TIN PLATED
HARDWARE - COPPER ALLOY, NICKEL PLATED
 - ELECTRICAL SPECIFICATIONS:**
CURRENT RATING - 1.5 A
CONTACT RESISTANCE - 0.010 OHM MAX
INSULATION RESISTANCE - 100 MEGA OHMS MIN
DIELECTRIC WITHSTANDING VOLTAGE - 250 VAC
MECHANICAL LIFE - 2000 CYCLES
 - HARDWARE SHIPPED UNASSEMBLED.**
 - THIS PRODUCT IS RoHS COMPLIANT.**

CUSTOMER DRAWING

REV	ECO NUMBER	DATE	BY	APVD
K	28312	08-25-20	PC	TJK
J	27650 REDRAWN	2-1-16	TO	TJK

UNLESS OTHERWISE SPECIFIED

1. ALL DIMENSIONS IN INCHES [mm]

- TWO PLACE DECIMALS ±0.02 [0.5]

- THREE PLACE DECIMALS ±0.005 [0.13]

DO NOT SCALE DRAWING

THIS DRAWING DESCRIBES A DESIGN CONSIDERED PROPRIETARY IN NATURE, DEVELOPED AND MANUFACTURED BY SWITCHCRAFT INC. AND IS RELEASED ON A CONFIDENTIAL BASIS FOR IDENTIFICATION PURPOSES ONLY.										
SIZE	WIDTH	MULT	LBS/M	TEMPER						
FINISH SPEC No.					MATERIAL SPEC No.					
FIRST USED ON					SCALE 3:1					
DATE DRAWN	BY	CHKD	APVD							
4-26-96	RC	RB	DG							
			4-26-96			12-2-98				
NAME TINI Q-G MALE RECEPTOR R.A.P.C. 6 PIN, RoHS								PART No. TRA6M		REV K

X-ON Electronics

Largest Supplier of Electrical and Electronic Components

Click to view similar products for [XLR Connectors](#) category:

Click to view products by [Switchcraft](#) manufacturer:

Other Similar products are found below :

[707-0300](#) [A3F01](#) [A3M01](#) [QGP3F](#) [HA16PRM-3SG\(71\)](#) [AA3FL](#) [AAA4FWZ](#) [AAA4MWZ](#) [AC5FPZB](#) [AC6AFDZV](#) [D4FB](#) [DE4MW](#)
[E3MBAUSW](#) [99.265.0400.0](#) [A3F04](#) [AC3FG](#) [AC4-FCP](#) [AQG4F](#) [2504FP](#) [R6MZ](#) [3FD-V-I-B](#) [3MD-V-I-B](#) [TA01](#) [TA3MWX](#) [TA5MLWX](#)
[TRASM4M1X](#) [TRASM7M1X](#) [ML1](#) [TS05TS](#) [3FD-L-I-\(O\)](#) [D6FDB](#) [DB25FTRS](#) [DHNF-BAG-MAD](#) [DHNF-BAG-O](#) [DHNM-BAG](#)
[XLRF05TRS](#) [XLRM05XLRF](#) [XLRM05XLRFB](#) [XLRM10XLRF](#) [E3FBAUSW](#) [E3FSW](#) [E3MSW](#) [SR03](#) [TA4FLWX](#) [TA6FLWX](#)
[TRAPC8M1X](#) [TRASM6M1X](#) [TRS10TRS](#) [TRSF05XLRM](#) [TRSF10XLRM](#)