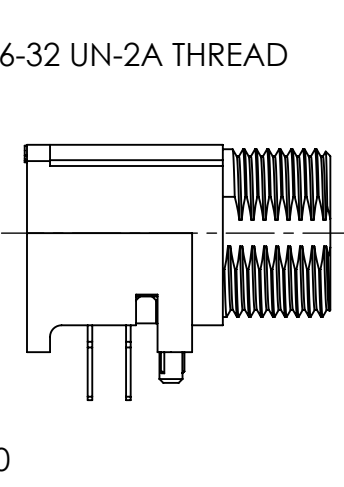
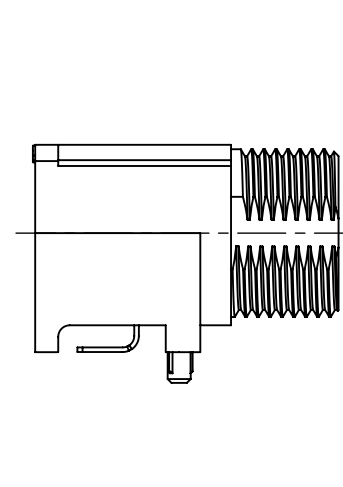


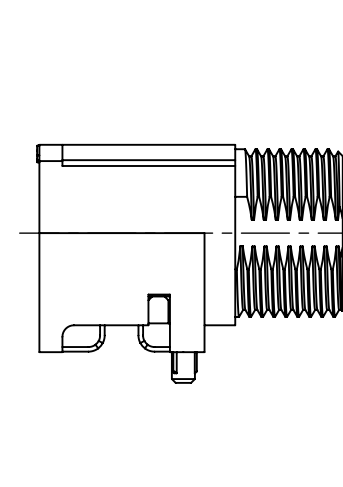
**THRU HOLE TERMINATION
SINGLE ROW
(3 & 4 PIN)**



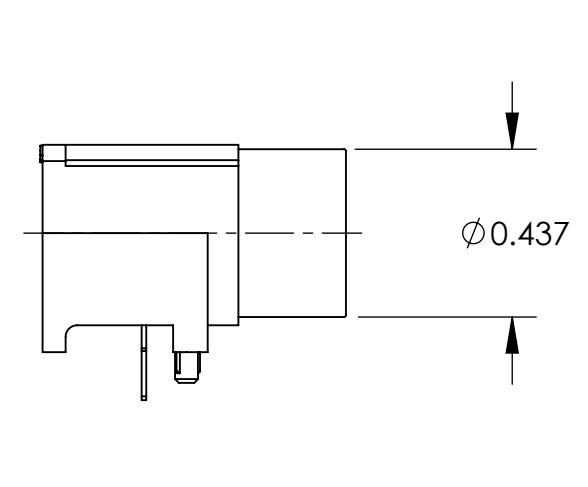
**THRU HOLE TERMINATION
DOUBLE ROW
(5, 6, 7, & 8 PIN)**



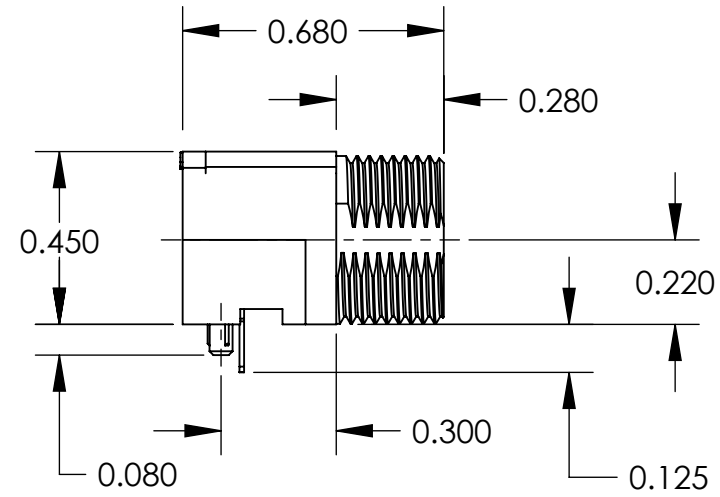
**SURFACE MOUNT TERMINATION
SINGLE ROW
(3 & 4 PIN)**



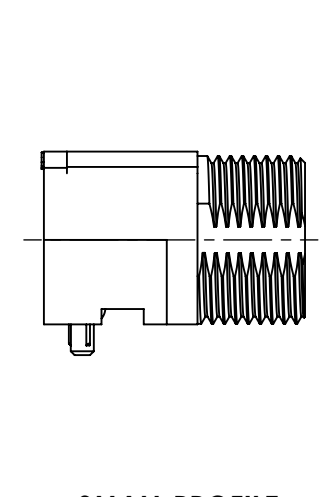
**SURFACE MOUNT TERMINATION
DOUBLE ROW
(5, 6, 7, & 8 PIN)**



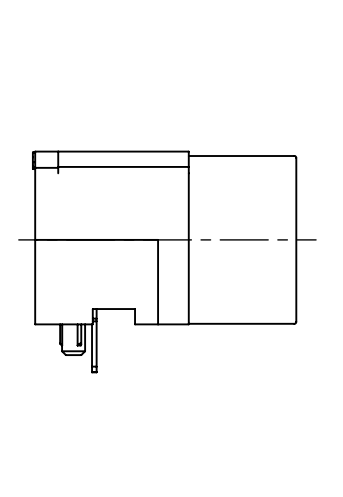
**NO THREAD OPTION
(SINGLE ROW THRU HOLE SHOWN)**



**SMALL PROFILE
THRU HOLE TERMINATION**

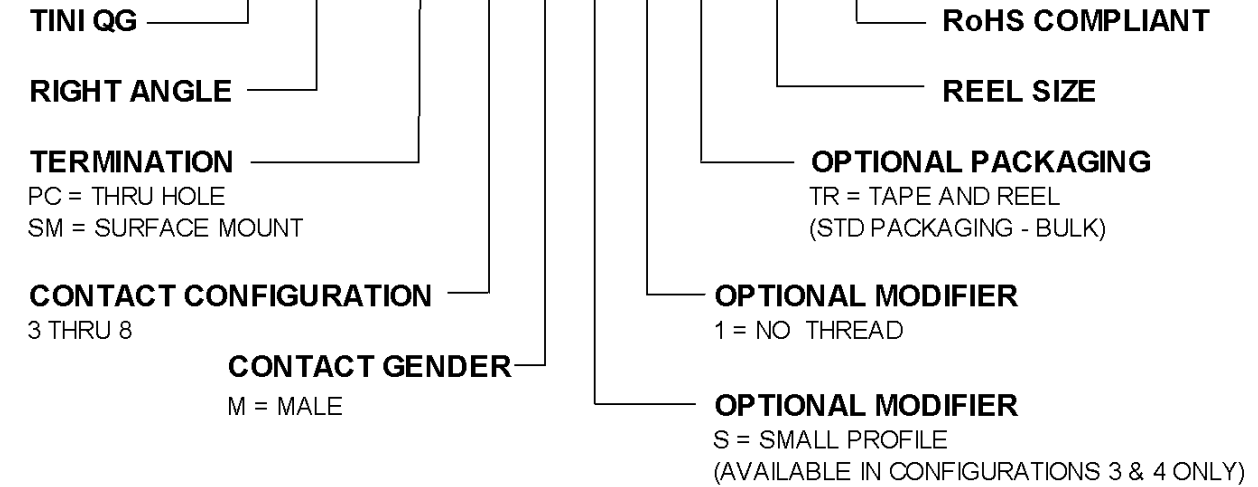


**SMALL PROFILE
SURFACE MOUNT TERMINATION**



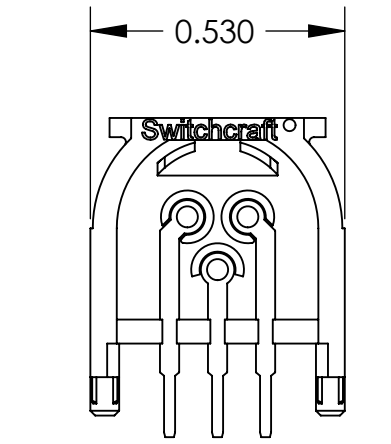
**SMALL PROFILE
NO THREAD OPTION
(THRU HOLE SHOWN)**

TRAPC3MS1T15X



- NOTES:
 1. THREADED CONNECTORS SUPPLIED WITH HEX NUT AND WASHER.
 2. MATERIALS:
 HOUSING - HIGH GRADE THERMOPLASTIC.
 CONTACTS AND TERMINALS - BRASS, TIN PLATED.
 NUT AND WASHER - BRASS, NICKEL PLATED.
 3. THIS PRODUCT IS RoHS COMPLIANT.

CUSTOMER DRAWING



**REAR VIEW
(3 PIN - THRU HOLE SHOWN)**

REV	ECO NUMBER	DATE	BY	APVD
C	27093	2-7-13	TO	TJK
B	26682	5-19-11	TS	TJK
A	26066	7-8-06	TJK	TJK

REVISIONS

★ STAR SYMBOL DENOTES CRITICAL DIMENSION

UNLESS OTHERWISE SPECIFIED

1. ALL DIMENSIONS IN INCHES
 - TWO PLACE DECIMALS ±0.01
 - THREE PLACE DECIMALS ±0.005
 - ANGLES ±1°
 - ALL DIA. CONCENTRIC WITHIN 0.005 T.I.R.

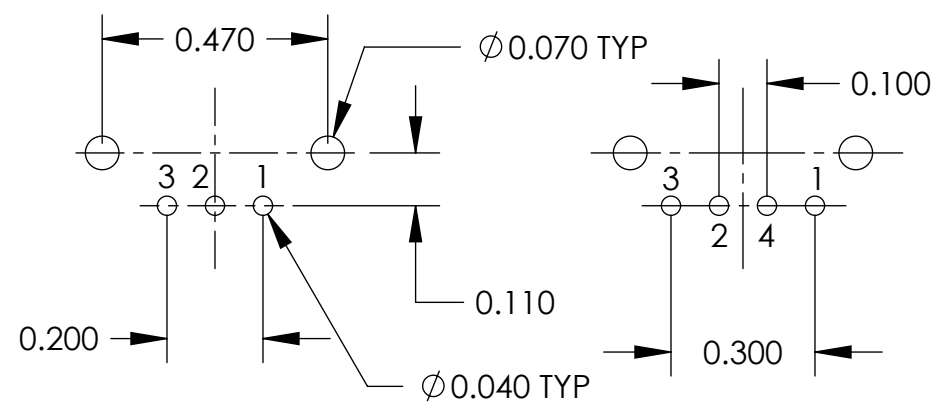
2. FEATURES ON THE SAME CENTERLINE MUST BE ALIGNED WITHIN ±0.002

3. REMOVE ALL BURRS

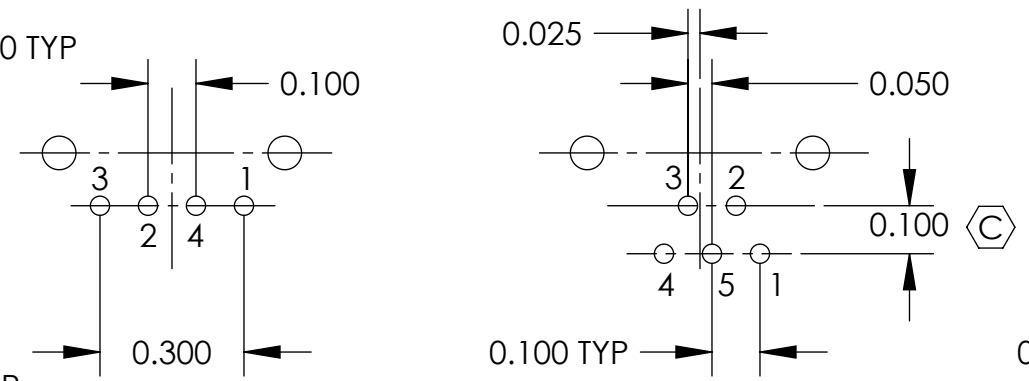
DO NOT SCALE DRAWING

THIS DRAWING DESCRIBES A DESIGN CONSIDERED PROPRIETARY IN NATURE, DEVELOPED AND MANUFACTURED BY SWITCHCRAFT INC. AND IS RELEASED ON A CONFIDENTIAL BASIS FOR IDENTIFICATION PURPOSES ONLY.									
SIZE	WIDTH	MULT	LBS/M	TEMPER					
FINISH				MATERIAL					
SPEC No.				SPEC No.					
FIRST USED ON				SCALE 2:1					
DATE DRAWN	BY	CHKD	APVD						
6-9-08	TJK	TJK	TJK						
NAME				PART No.				REV	
TINI QG CONNECTOR				TRAPC_X - TRASM_X SERIES				C	
RIGHT ANGLE, PIN CONTACT, RoHS									

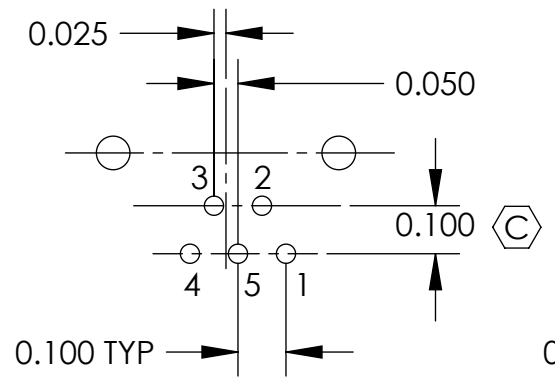
D



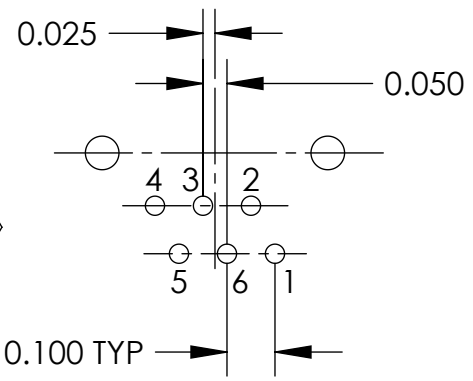
**(B) (3 PIN)
THRU HOLE TERMINATION**
TRAPC3M1X
TRAPC3MX



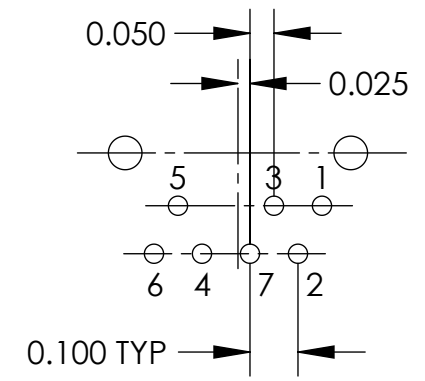
**(B) (4 PIN)
THRU HOLE TERMINATION**
TRAPC4M1X
TRAPC4MX



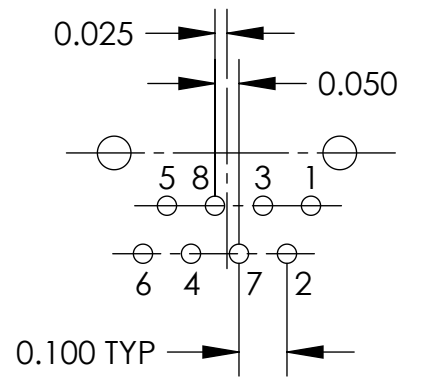
**(B) (5 PIN)
THRU HOLE TERMINATION**
TRAPC5M1X
TRAPC5MX



**(B) (6 PIN)
THRU HOLE TERMINATION**
TRAPC6M1X
TRAPC6MX



**(B) (7 PIN)
THRU HOLE TERMINATION**
TRAPC7M1X
TRAPC7MX

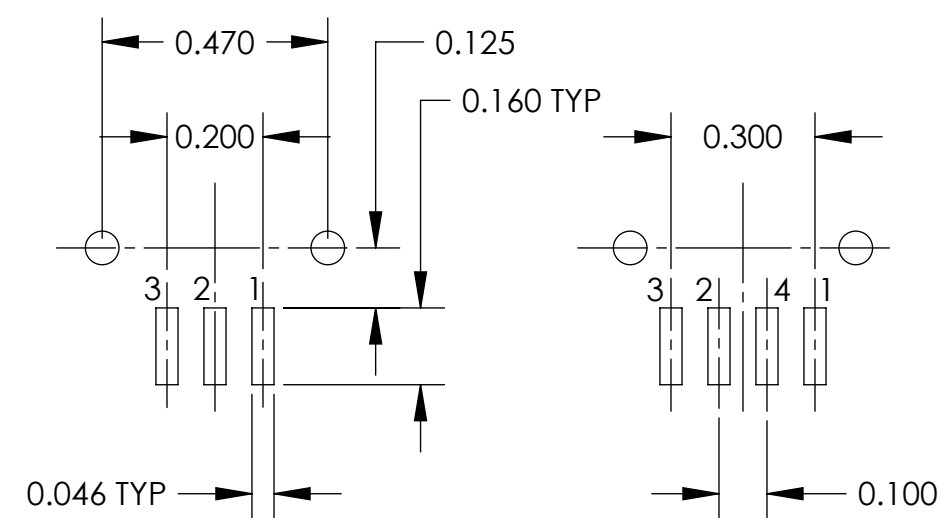


**(B) (8 PIN)
THRU HOLE TERMINATION**
TRAPC8M1X
TRAPC8MX

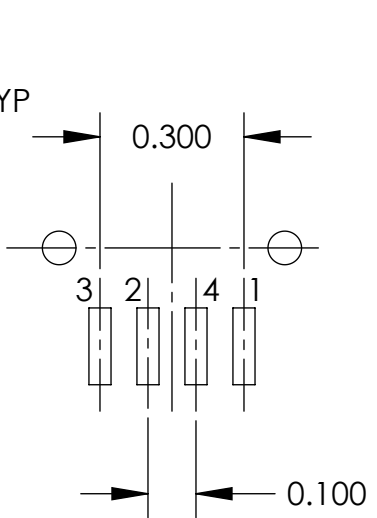
C

B

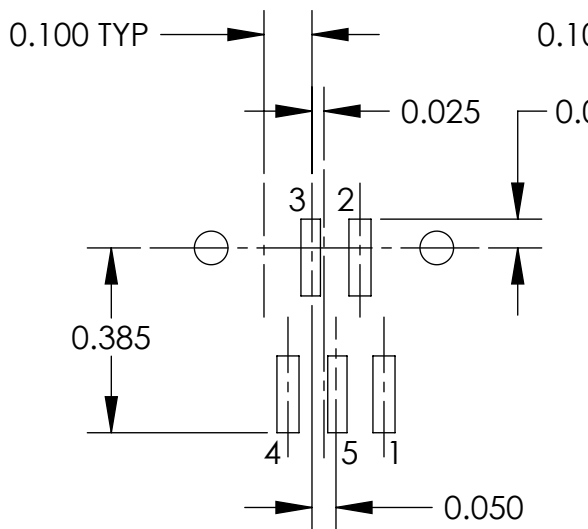
A



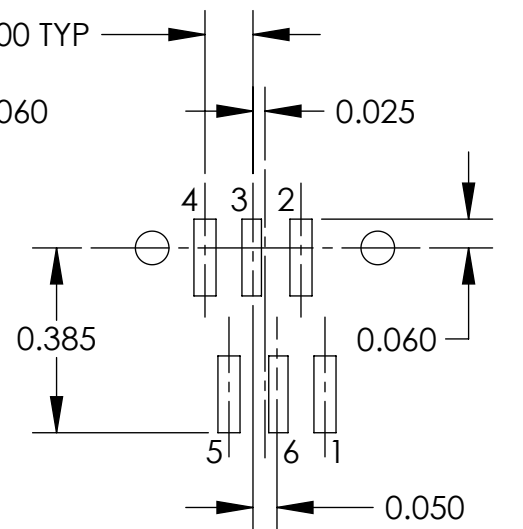
**(B) (3 PIN)
SURFACE MOUNT**
TRASM3M1X
TRASM3MX



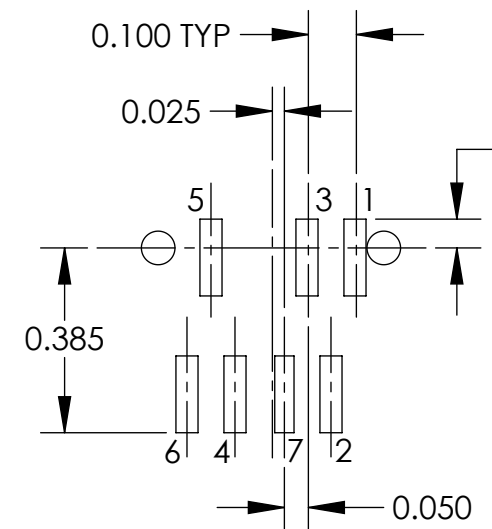
**(B) (4 PIN)
SURFACE MOUNT**
TRASM4M1X
TRASM4MX



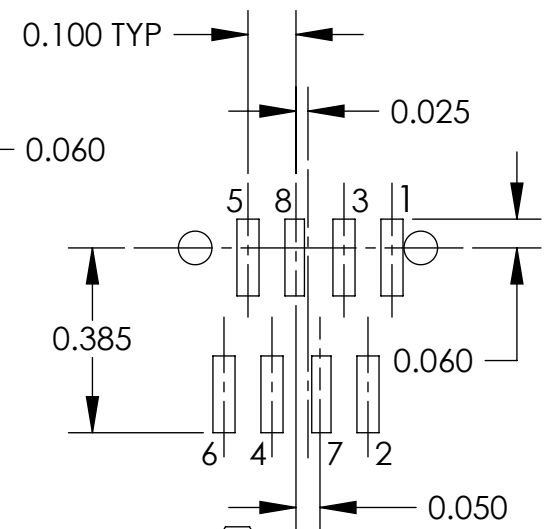
**(B) (5 PIN)
SURFACE MOUNT**
TRASM5M1X
TRASM5MX



**(B) (6 PIN)
SURFACE MOUNT**
TRASM6M1X
TRASM6MX



**(B) (7 PIN)
SURFACE MOUNT**
TRASM7M1X
TRASM7MX



**(B) (8 PIN)
SURFACE MOUNT**
TRASM8M1X
TRASM8MX

RECOMMENDED PC BOARD LAYOUTS

8

7

6

5

4

3

X-ON Electronics

Largest Supplier of Electrical and Electronic Components

Click to view similar products for [XLR Connectors](#) category:

Click to view products by [Switchcraft](#) manufacturer:

Other Similar products are found below :

[707-0300](#) [8800235](#) [91201231](#) [91214571](#) [A3F01](#) [A3M01](#) [QGP3F](#) [HA16PRQ-3SE\(71\)](#) [AA3FL](#) [AAA4FWZ](#) [AAA4MWZ](#) [AC3-MIC](#) [AC4-MIC](#) [AC5FPZB](#) [AC6AFDZV](#) [AC7FDZB](#) [D4FB](#) [DE4MW](#) [DHNF-BAG](#) [E3MBAUSW](#) [NA2FP-UW](#) [NA3MP-UW](#) [NC3FBHR1-0](#) [NC3FD-H-0](#) [NC3FK-V](#) [NC3FX-1](#) [NC3FX-Y-B](#) [NC3MDM3-H-B](#) [NC3MK-V](#) [NC3MXY](#) [NC4FD-LX-0](#) [NC5FX-HD-B](#) [NC6FSXX-BAG](#) [NC6MD-LX-BAG](#) [NC6MSX-BAG](#) [91210071096](#) [SL05](#) [99.265.0400.0](#) [A3F04](#) [AC3FG](#) [AC3MMG](#) [AC4-FCP](#) [AC4FPZ](#) [AQG4F](#) [2504FP](#) [30-498-2](#) [R6MZ](#) [CXX-15](#) [3FD-H-I](#) [3FD-H-I-\(0\)](#)