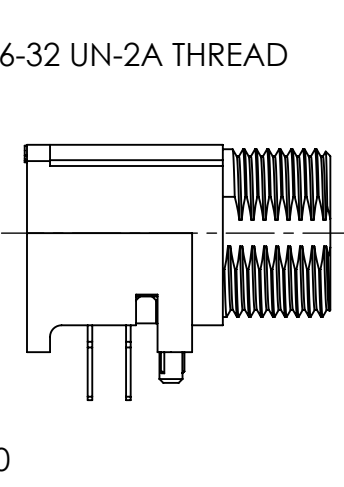
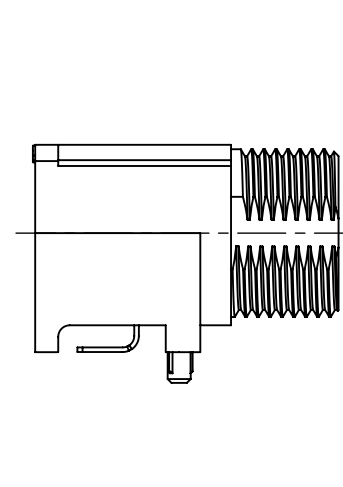


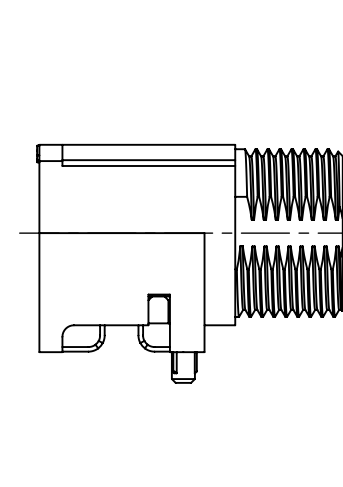
**THRU HOLE TERMINATION
SINGLE ROW
(3 & 4 PIN)**



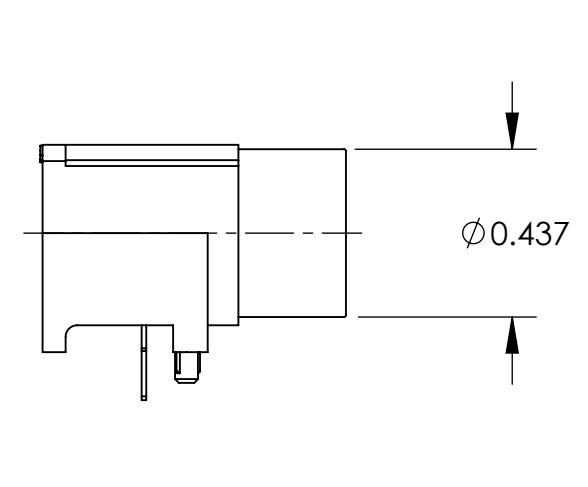
**THRU HOLE TERMINATION
DOUBLE ROW
(5, 6, 7, & 8 PIN)**



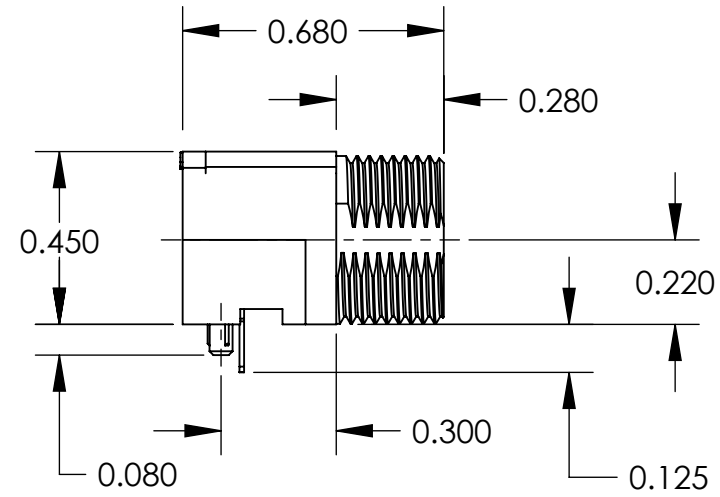
**SURFACE MOUNT TERMINATION
SINGLE ROW
(3 & 4 PIN)**



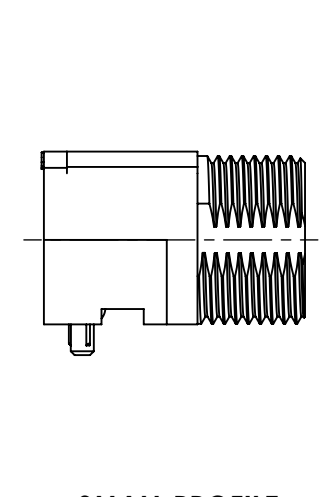
**SURFACE MOUNT TERMINATION
DOUBLE ROW
(5, 6, 7, & 8 PIN)**



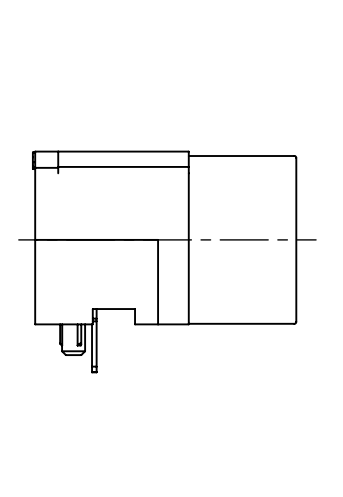
**NO THREAD OPTION
(SINGLE ROW THRU HOLE SHOWN)**



**SMALL PROFILE
THRU HOLE TERMINATION**



**SMALL PROFILE
SURFACE MOUNT TERMINATION**



**SMALL PROFILE
NO THREAD OPTION
(THRU HOLE SHOWN)**

TRAPC3MS1T15X

TINI QG

RIGHT ANGLE

TERMINATION

PC = THRU HOLE
SM = SURFACE MOUNT

CONTACT CONFIGURATION

3 THRU 8

CONTACT GENDER

M = MALE

RoHS COMPLIANT

REEL SIZE

OPTIONAL PACKAGING

TR = TAPE AND REEL
(STD PACKAGING - BULK)

OPTIONAL MODIFIER

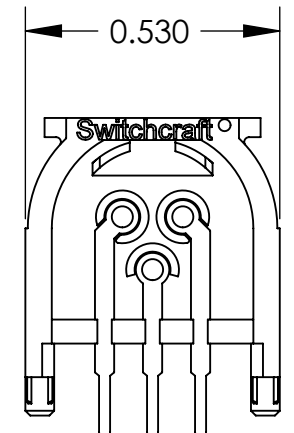
1 = NO THREAD

OPTIONAL MODIFIER

S = SMALL PROFILE
(AVAILABLE IN CONFIGURATIONS 3 & 4 ONLY)

- NOTES:
1. THREADED CONNECTORS SUPPLIED WITH HEX NUT AND WASHER.
 2. MATERIALS:
HOUSING - HIGH GRADE THERMOPLASTIC.
CONTACTS AND TERMINALS - BRASS, TIN PLATED.
NUT AND WASHER - BRASS, NICKEL PLATED.
 3. THIS PRODUCT IS RoHS COMPLIANT.

CUSTOMER DRAWING



**REAR VIEW
(3 PIN - THRU HOLE SHOWN)**

REV	ECO NUMBER	DATE	BY	APVD
C	27093	2-7-13	TO	TJK
B	26682	5-19-11	TS	TJK
A	26066	7-8-06	TJK	TJK

REVISIONS

★ STAR SYMBOL DENOTES CRITICAL DIMENSION

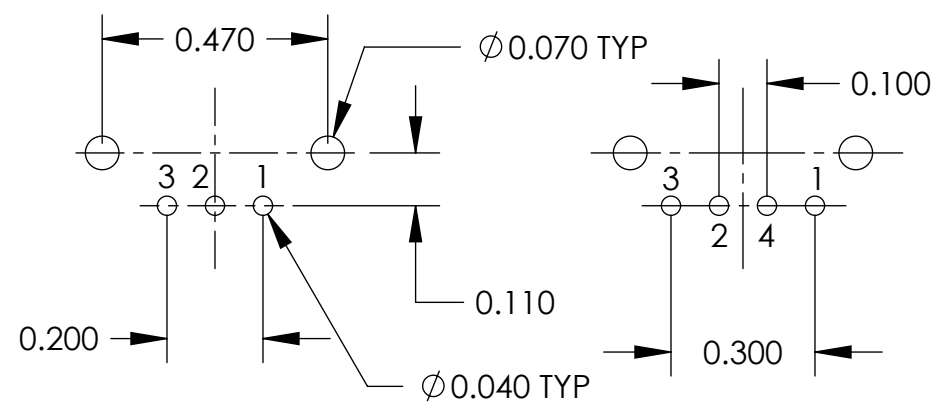
UNLESS OTHERWISE SPECIFIED

1. ALL DIMENSIONS IN INCHES
- TWO PLACE DECIMALS ±0.01
- THREE PLACE DECIMALS ±0.005
- ANGLES ±1°
- ALL DIA. CONCENTRIC WITHIN 0.005 T.I.R.
2. FEATURES ON THE SAME CENTERLINE MUST BE ALIGNED WITHIN ±0.002
3. REMOVE ALL BURRS

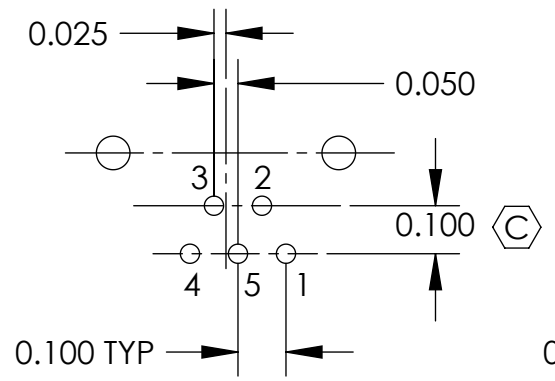
DO NOT SCALE DRAWING

THIS DRAWING DESCRIBES A DESIGN CONSIDERED PROPRIETARY IN NATURE, DEVELOPED AND MANUFACTURED BY SWITCHCRAFT INC. AND IS RELEASED ON A CONFIDENTIAL BASIS FOR IDENTIFICATION PURPOSES ONLY.									
SIZE	WIDTH	MULT	LBS/M	TEMPER					
FINISH					MATERIAL				
SPEC No.					SPEC No.				
FIRST USED ON					SCALE 2:1				
DATE DRAWN	BY	CHKD	APVD						
6-9-08	TJK	TJK	TJK						
			6-9-08						
			6-9-08						
NAME					PART No.				
TINI QG CONNECTOR					TRAPC_X - TRASM_X SERIES				
RIGHT ANGLE, PIN CONTACT, RoHS					REV C				

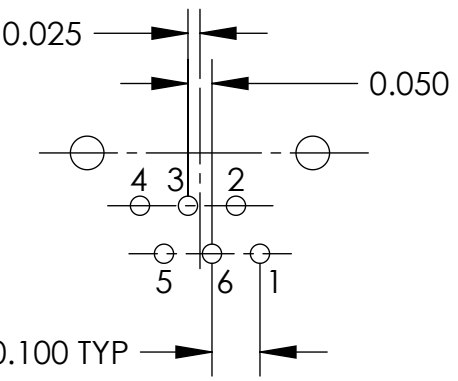
D



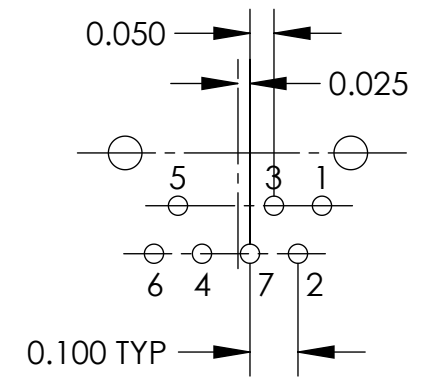
(B) (3 PIN)
THRU HOLE TERMINATION
 TRAPC3M1X
 TRAPC3MX



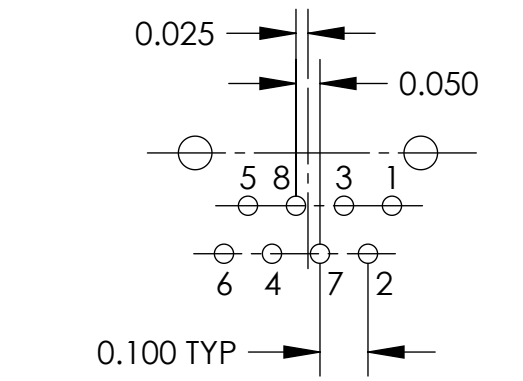
(B) (4 PIN)
THRU HOLE TERMINATION
 TRAPC4M1X
 TRAPC4MX



(B) (5 PIN)
THRU HOLE TERMINATION
 TRAPC5M1X
 TRAPC5MX



(B) (6 PIN)
THRU HOLE TERMINATION
 TRAPC6M1X
 TRAPC6MX



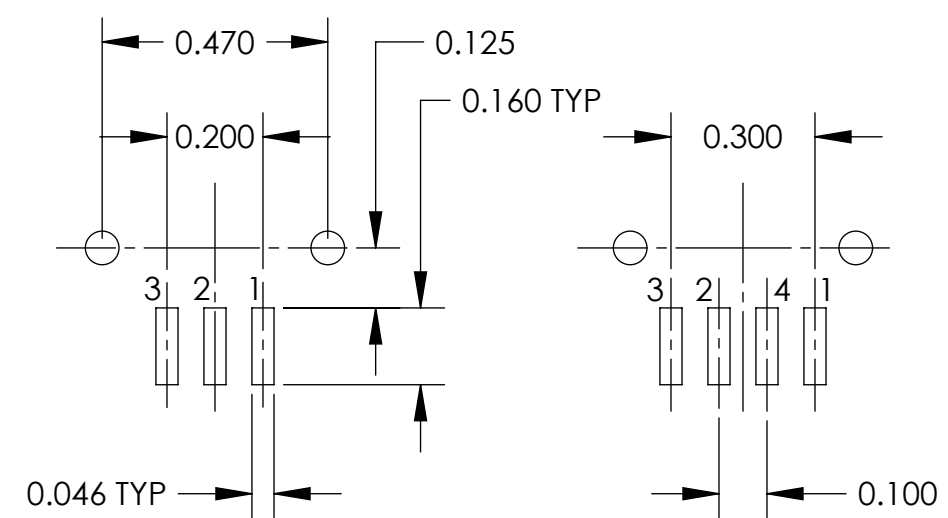
(B) (7 PIN)
THRU HOLE TERMINATION
 TRAPC7M1X
 TRAPC7MX

(B) (8 PIN)
THRU HOLE TERMINATION
 TRAPC8M1X
 TRAPC8MX

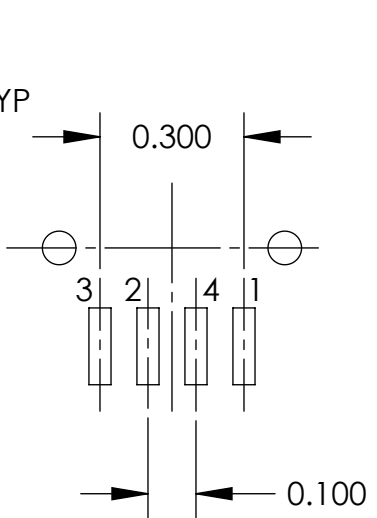
C

B

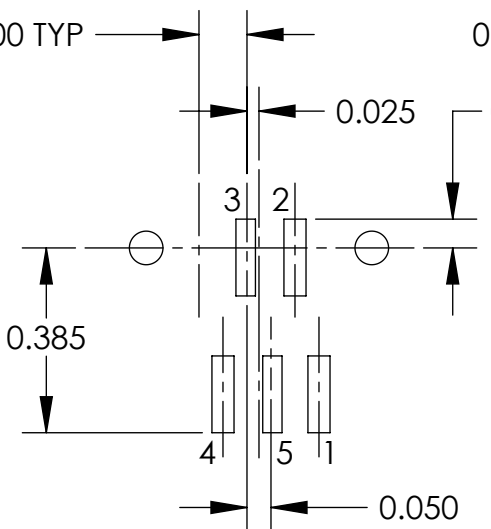
A



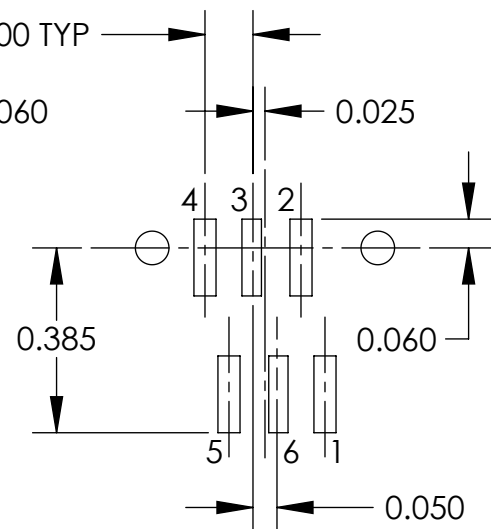
(B) (3 PIN)
SURFACE MOUNT
 TRASM3M1X
 TRASM3MX



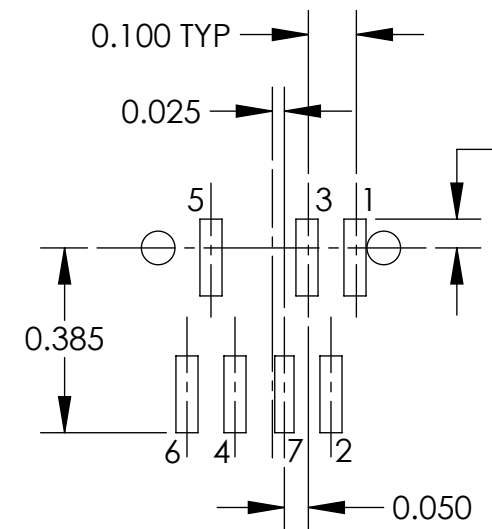
(B) (4 PIN)
SURFACE MOUNT
 TRASM4M1X
 TRASM4MX



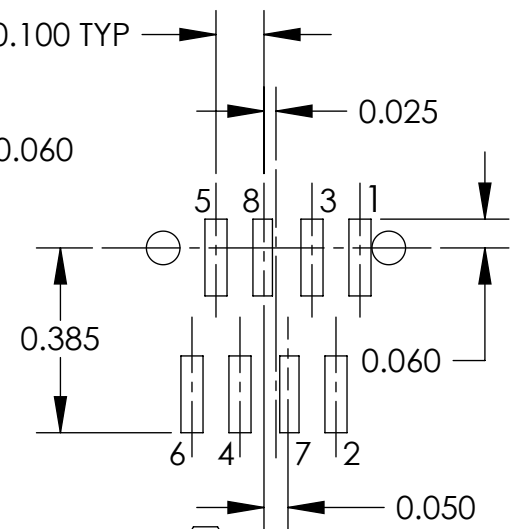
(B) (5 PIN)
SURFACE MOUNT
 TRASM5M1X
 TRASM5MX



(B) (6 PIN)
SURFACE MOUNT
 TRASM6M1X
 TRASM6MX



(B) (7 PIN)
SURFACE MOUNT
 TRASM7M1X
 TRASM7MX



(B) (8 PIN)
SURFACE MOUNT
 TRASM8M1X
 TRASM8MX

RECOMMENDED PC BOARD LAYOUTS

8

7

6

5

4

3

X-ON Electronics

Largest Supplier of Electrical and Electronic Components

Click to view similar products for [XLR Connectors](#) category:

Click to view products by [Switchcraft](#) manufacturer:

Other Similar products are found below :

[707-0300](#) [A3F01](#) [A3M01](#) [QGP3F](#) [HA16PRM-3SG\(71\)](#) [AA3FL](#) [AAA4FWZ](#) [AAA4MWZ](#) [AC5FPZB](#) [AC6AFDZV](#) [D4FB](#) [DE4MW](#)
[E3MBAUSW](#) [99.265.0400.0](#) [A3F04](#) [AC3FG](#) [AC4-FCP](#) [AQG4F](#) [2504FP](#) [R6MZ](#) [3FD-V-I-B](#) [3MD-V-I-B](#) [TA01](#) [TA3MWX](#) [TA5MLWX](#)
[TRASM4M1X](#) [TRASM7M1X](#) [ML1](#) [TS05TS](#) [3FD-L-I-\(O\)](#) [D6FDB](#) [DB25FTRS](#) [DHNF-BAG-MAD](#) [DHNF-BAG-O](#) [DHNM-BAG](#)
[XLRF05TRS](#) [XLRM05XLRF](#) [XLRM05XLRFB](#) [XLRM10XLRF](#) [E3FBAUSW](#) [E3FSW](#) [E3MSW](#) [SR03](#) [TA4FLWX](#) [TA6FLWX](#)
[TRAPC8M1X](#) [TRASM6M1X](#) [TRS10TRS](#) [TRSF05XLRM](#) [TRSF10XLRM](#)