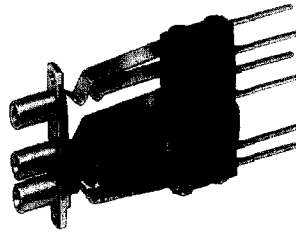


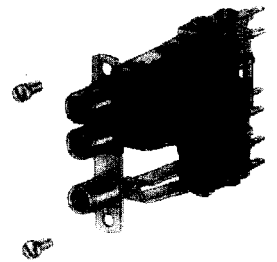
TT-JAX® (.173") TELEPHONE TRIPLE JACKS BANTAM TYPE®

FEATURES

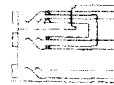
- Steel or die-cast frames.
- TT95 Tri-Jax® jacks: three, 3-conductor jacks on one frame. Twin jacks, (on .312 inch centers, LINE & EQUIPMENT functions), have strapped shunts installed. The third jack (MONITOR) is unwired. See TT95 schematic.
- TT96 Tri-Jax jacks: Same as TT95 jacks, except third jack (MONITOR) has tip and ring springs, respectively, jumpered to tip and ring springs of top (LINE) jack.
- Selection of solder lugs or wire-wrapping terminals.
- Palladium welded crossbar contact are standard in switching circuits.
- TT95, TT95DC, WTT95 and WTT95DC jacks mount in Series B1700 jack panels.
- TT95FM, TT95FMDC, TT96FM, TT96FMDC and wire-wrapping versions mount in Series TT53, TT54, TT57 and TT58 jack panels.



WTT95DC
DIE-CAST FRAME (Special order only)



TT95FM
STEEL FRAME



TT95 SCHEMATIC



TT96 SCHEMATIC

Solder Lugs		Wire-Wrapping Terminals		Conductors	Schematic	Typical Mating Plug ¹
Steel	Die Cast	Steel	Die Cast			
TT95	◊TT95DC	WTT95	◊WTT95DC	3 Plus Twin-3	TT95	TT253 and TT263
TT95FM	◊TT95FMDC	WTT95FM	◊WTT95FMDC			
TT96FM	◊TT96FMDC	WTT96FM	◊WTT96FMDC			

◊ Special order only

SPECIFICATIONS

Frame: Plated (steel or diecast)

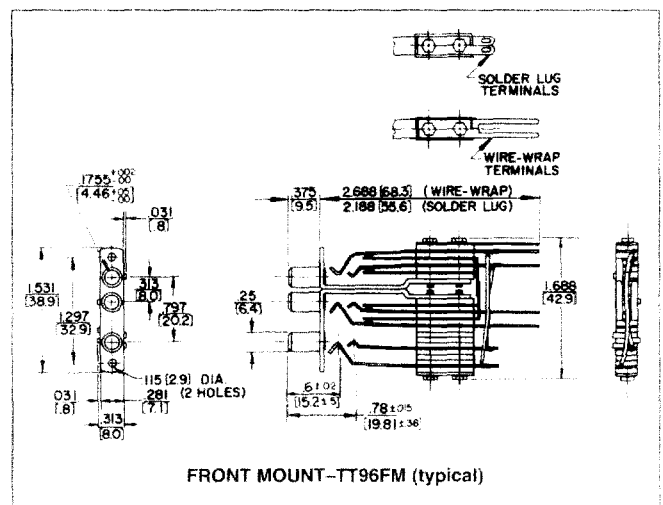
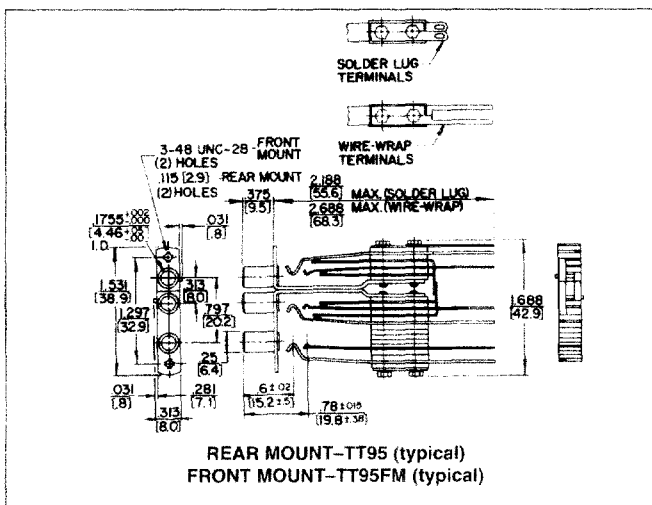
Stack Screws: Stainless steel.

Bushings: Plated (steel or copper alloy).

Contact Springs: Copper alloy.

Contacts: Welded crossbar palladium. Other precious metal alloys in various sizes available on special order.

Mounting Hardware: #3-48 x 1/4 inch mounting screws, **P10834**, can be ordered separately for rear mount jacks. Two mounting screws, **P25424**, are supplied with front mount jacks.



DIMENSIONS ARE FOR REFERENCE ONLY $\frac{\text{Inch}}{\text{(mm)}}$

NOTE: Contact your Switchcraft Representative for price and delivery.

X-ON Electronics

Largest Supplier of Electrical and Electronic Components

Click to view similar products for [Patch Panels](#) category:

Click to view products by [Switchcraft](#) manufacturer:

Other Similar products are found below :

[MMVP96K2N75T](#) [MMVP96K2NNT](#) [MMVP96K2NT](#) [MMVP96K3NNT](#) [QGPK1CAT5E](#) [QGPK1LCM](#) [QGPK3CAT5E](#) [QGPK3CAT5ES](#)
[QGPK3LC](#) [QGPK3LCM](#) [QGPK3ST](#) [QGPK3STM](#) [DS303](#) [DS311](#) [DS317](#) [HP-500](#) [JS-16](#) [JSH-24](#) [JSI-24W](#) [QGPK1CAT5ES](#)
[QGPK1CAT6S](#) [QGPK1LC](#) [QGPK1SC](#) [QGPK1SCM](#) [QGPK1ST](#) [QGPK1STM](#) [QGPK3CAT6](#) [QGPK3CAT6S](#) [QGPK3SC](#) [TT91202](#)
[TT91402](#) [MMVP48K275T](#) [MMVP48K2NNT](#) [MMVP48K2NT](#) [MMVP96K275T](#) [MMVP96K375T](#) [MMVP96K3N75T](#) [JSIS-72](#) [K576](#) [DS385](#)
[Switchcraft TT518](#) [TTEZN20SLBX](#) [TT95DC](#) [TT91002](#) [JP072000](#) [DS368](#) [JS-28W](#) [JS-36A](#) [JS-32](#) [JSI-8D2SF24](#)