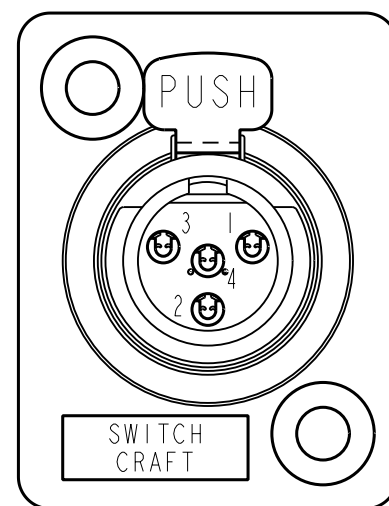
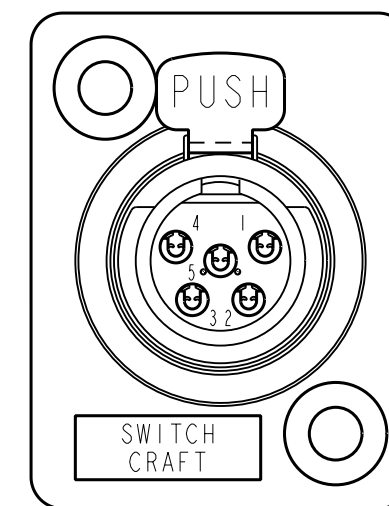


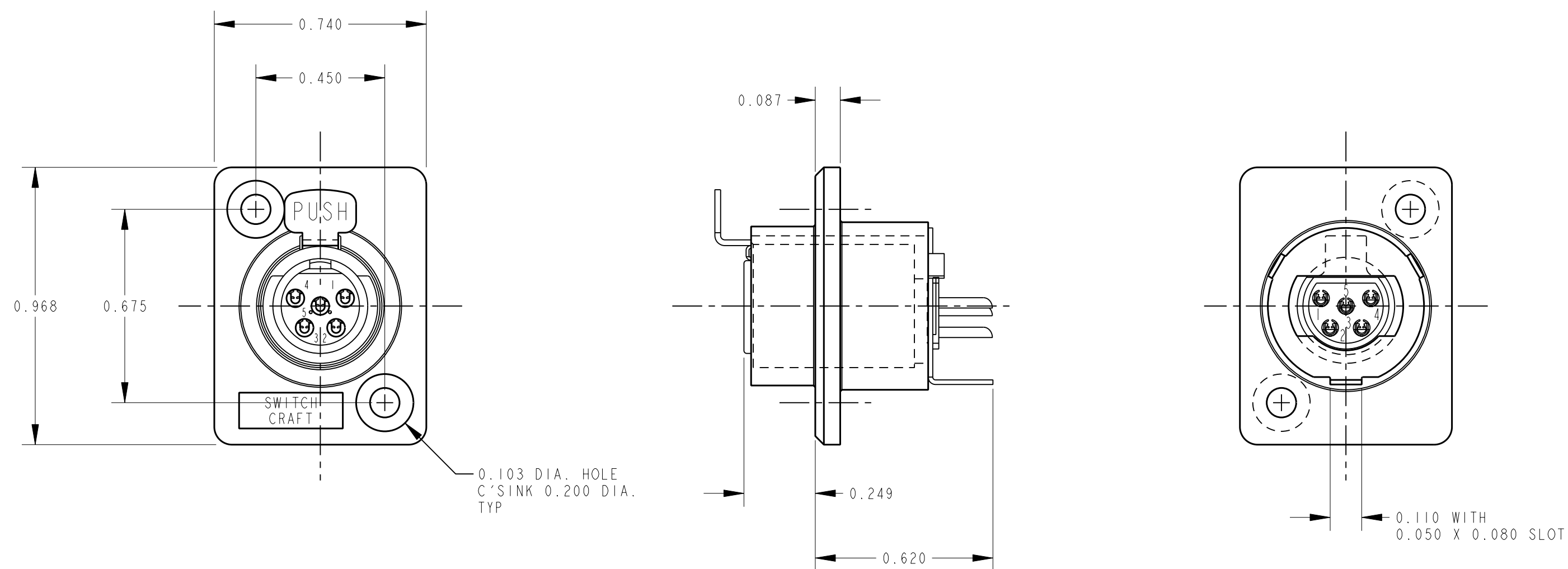
3 PIN



4 PIN



5 PIN



**MATERIALS:**

- LOCK RING - BRASS, ELECTRO TIN PLATED
- PANEL HOUSING - ZINC, NICKEL PLATED
- INSULATORS - PPS
- HOUSING - BRASS, NICKEL PLATED
- LATCH - BERYLLIUM COPPER, NICKEL PLATED
- RELEASE LEVER - STEEL, NICKEL PLATED
- LEVER SPRING - STEEL, COPPER PLATED
- CONTACTS - BERYLLIUM COPPER, SILVER PLATED

**NOTE:**

1. ALL DIMENSIONS FOR REFERENCE PURPOSES ONLY UNLESS OTHERWISE SPECIFIED.

CUSTOMER DRAWING

CAD/CAM DWG. NO.  
TY\_F\_CD  
SHEET 1 OF 1

				★ STAR SYMBOL DENOTES CRITICAL DIMENSION. SEE S/C ENGINEERING STANDARD ES-0001		THIS DRAWING DESCRIBES A DESIGN CONSIDERED PROPRIETARY IN NATURE, DEVELOPED AND MANUFACTURED BY SWITCHCRAFT INC. AND IS RELEASED ON A CONFIDENTIAL BASIS FOR IDENTIFICATION PURPOSE ONLY.				
				UNLESS OTHERWISE SPECIFIED		SIZE	WIDTH	MULT	LBS./M	TEMPER
E	ECO #20090	7-3-97	OM	JJ	1. ALL DIMENSIONS IN INCHES TWO PLACE DECIMAL ±.01 THREE PLACE DECIMAL ±.005 FRACTIONAL DIMENSIONS ±1/64 ANGLES ±1/2° ALL DIA'S CONCENTRIC WITHIN .005 T.I.R.	FINISH		MATERIAL		
D	ECO #20089	7-3-97	OM	JJ	2. REMOVE ALL BURRS	SPEC. NO.		SPEC. NO.		
C	ECO #20088	7-3-97	OM	JJ	3. MAKE NO DIMENSIONAL ALLOWANCES FOR APPLIED FINISHES, I.E., PLATING, PAINTING, ETC.	FIRST USED ON		SCALE 1 = 0.375		
B	ECO #19805	7-14-95	RC	GHJ	4. HOLES ON THE SAME CENTERLINE MUST BE ALIGNED WITHIN ±.002	DATE DRAWN	BY	CHK'D	APP'D	
A	FIRST DRAWN ECO #18467	3-30-95	SG	GHJ		3-30-95	SG	SG 5-1-95	GHJ 5-1-95	
ISSUE		CHANGE NO.	DATE	BY	APP'D	NAME		PART NO.		
REVISIONS					DO NOT SCALE DRAWING					
TINI QG SERIES								TY*F		ISSUE E



## X-ON Electronics

Largest Supplier of Electrical and Electronic Components

*Click to view similar products for [XLR Connectors](#) category:*

*Click to view products by [Switchcraft](#) manufacturer:*

Other Similar products are found below :

[707-0300](#) [A3F01](#) [QGP3F](#) [HA16PRM-3SG\(71\)](#) [AA3FL](#) [AAA4FWZ](#) [AAA4MWZ](#) [AC5FPZB](#) [AC6AFDZV](#) [D4FB](#) [DE4MW](#) [E3MBAUSW](#)  
[99.265.0400.0](#) [A3F04](#) [AC3FG](#) [AC4-FCP](#) [AQG4F](#) [2504FP](#) [R6MZ](#) [3FD-V-I-B](#) [3MD-V-I-B](#) [TA01](#) [TA3MWX](#) [TA5MLWX](#) [TRASM4M1X](#)  
[TRASM7M1X](#) [ML1](#) [TS05TS](#) [3FD-L-I-\(O\)](#) [D6FDB](#) [DB25FTRS](#) [DHNF-BAG-MAD](#) [DHNF-BAG-O](#) [DHNM-BAG](#) [XLRF05TRS](#)  
[XLRM05XLRFB](#) [XLRM05XLRFB](#) [XLRM10XLRFB](#) [E3FBAUSW](#) [E3FSW](#) [E3MSW](#) [SR03](#) [TA4FLWX](#) [TA6FLWX](#) [TRAPC8M1X](#)  
[TRASM6M1X](#) [TRS10TRS](#) [TRSF05XLRM](#) [TRSF10XLRM](#) [TS10TS](#)