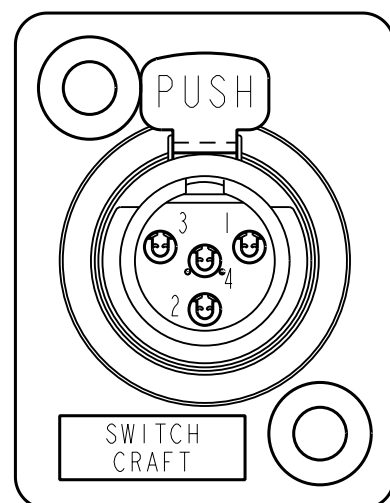
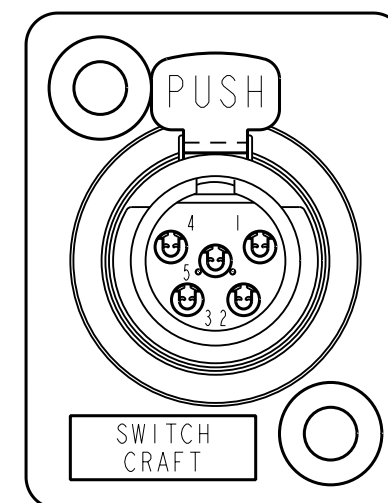


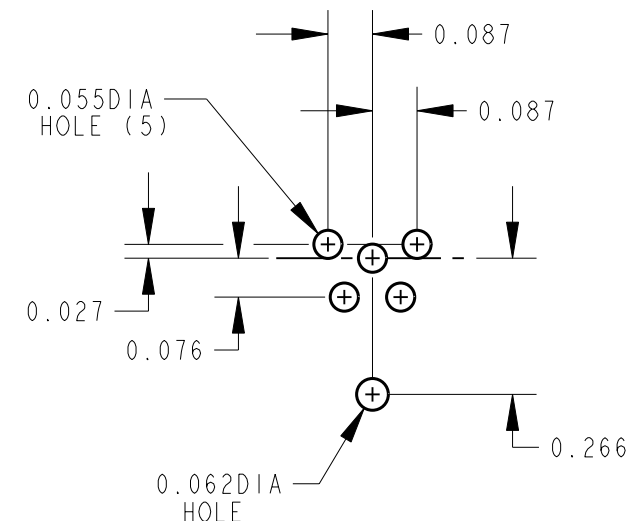
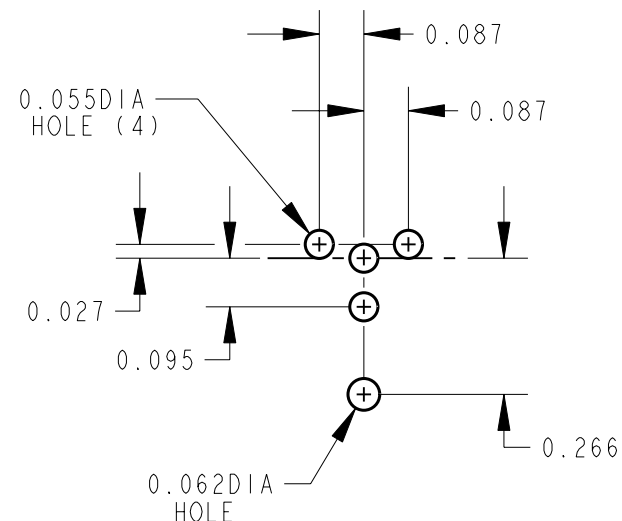
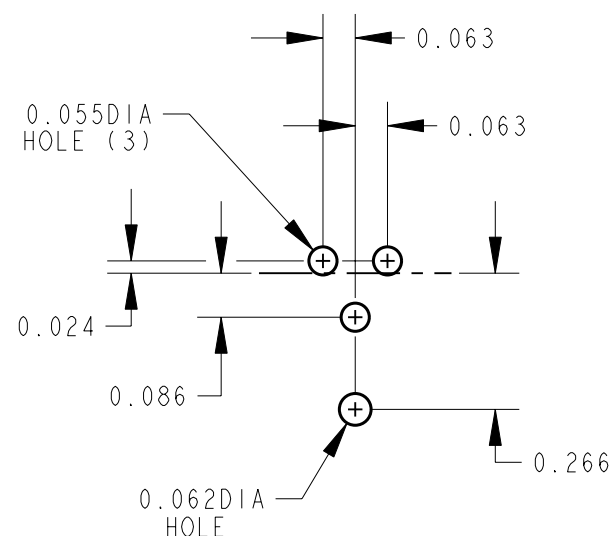
3 PIN



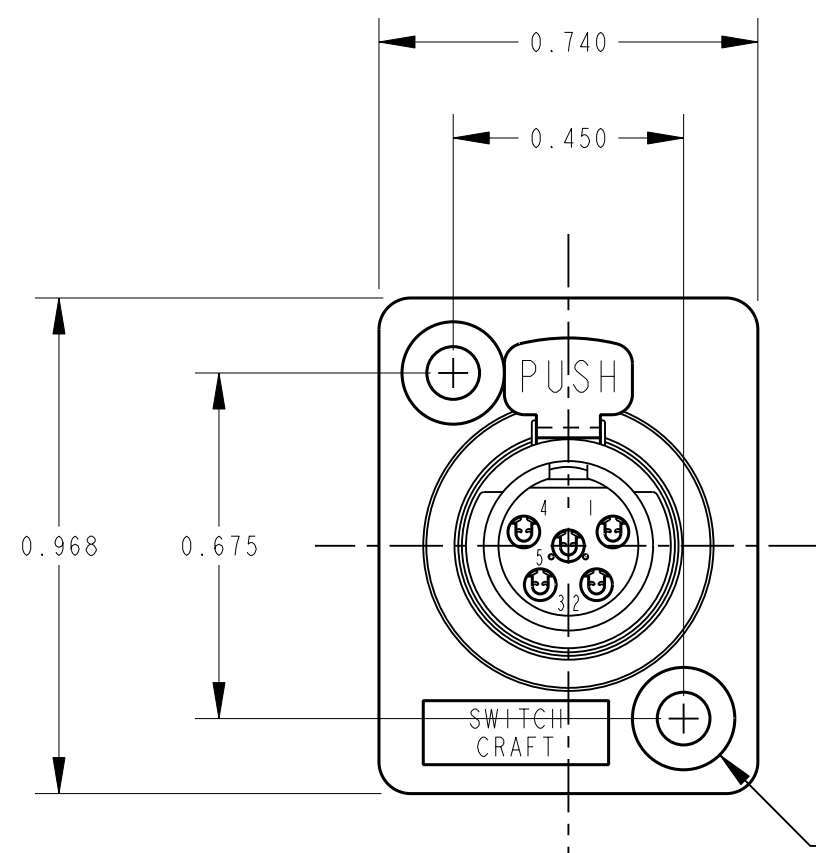
4 PIN



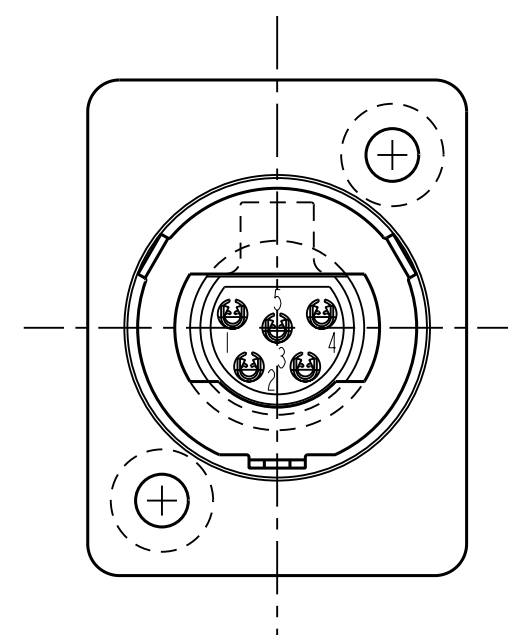
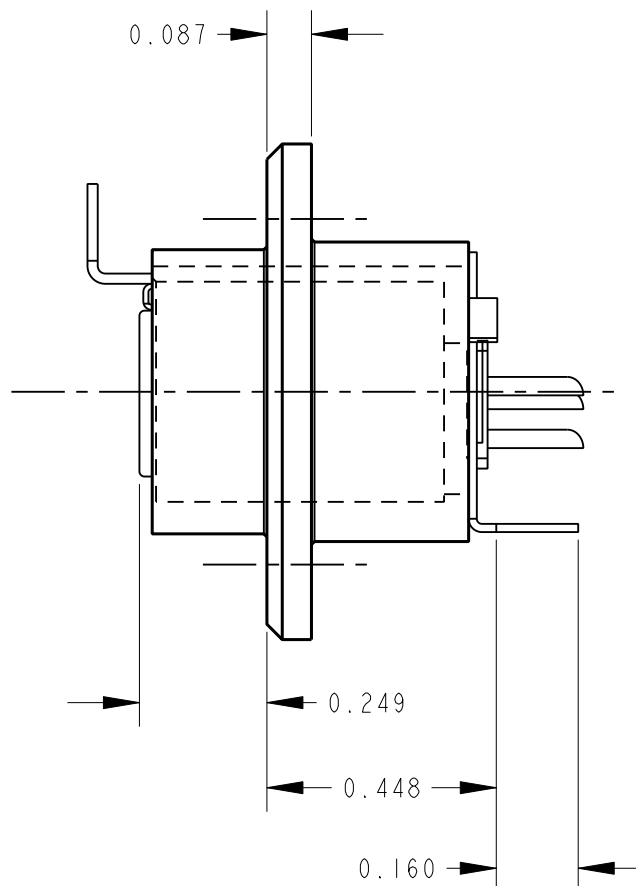
5 PIN



P.C. BOARD LAYOUTS



0.103 DIA. HOLE
C-SINK 0.200 DIA.
TYP



MATERIALS:

LOCK RING - BRASS, ELECTRO TIN PLATED

PANEL HOUSING - ZINC, NICKEL PLATED

E INSULATORS - PPS

HOUSING - BRASS, NICKEL PLATED

LATCH - BERYLLIUM COPPER, NICKEL PLATED

RELEASE LEVER - STEEL, NICKEL PLATED

LEVER SPRING - STEEL, COPPER PLATED

CONTACTS - BERYLLIUM COPPER, SILVER PLATED

NOTE:

1. ALL DIMENSIONS ARE FOR REFERENCE PURPOSES ONNLY
UNLESS OTHERWISE SPECIFIED.

CUSTOMER DRAWING

CAD/CAM DWG. NO.

TY_FPC_CD

SHEET 1 OF 1

<p>★ STAR SYMBOL DENOTES CRITICAL DIMENSION. SEE S/C ENGINEERING STANDARD ES-0001</p>				<p>THIS DRAWING DESCRIBES A DESIGN CONSIDERED PROPRIETARY IN NATURE, DEVELOPED AND MANUFACTURED BY SWITCHCRAFT INC. AND IS RELEASED ON A CONFIDENTIAL BASIS FOR IDENTIFICATION PURPOSE ONLY.</p>					
<p>UNLESS OTHERWISE SPECIFIED</p>				SIZE	WIDTH	MULT	LBS./M	TEMPER	
E	ECO #20090	7-3-97	OM JJ	FINISH		MATERIAL			
D	ECO #20089	7-3-97	OM JJ	SPEC. NO.		SPEC. NO.			
C	ECO #20088	7-3-97	OM JJ	FIRST USED ON		SCALE			
B	ECO #19805	7-10-95	RC GHJ	DATE DRAWN		I = 0.375			
A	FIRST DRAWN ECO #18467	3-30-95	SG GHJ	BY	CHK'D	APP'D	<p>Switchcraft®</p>		
ISSUE	CHANGE NO.	DATE	BY	APP'D	3-30-95	SG	SG	GHJ	
<p>REVISIONS</p>				<p>NAME TINI QG SERIES</p>				<p>PART NO. TY*FPC</p>	
<p>DO NOT SCALE DRAWING</p>				<p>ISSUE E</p>				<p>ROUTING</p>	

X-ON Electronics

Largest Supplier of Electrical and Electronic Components

Click to view similar products for [XLR Connectors](#) category:

Click to view products by [Switchcraft](#) manufacturer:

Other Similar products are found below :

[707-0300](#) [A3F01](#) [A3M01](#) [QGP3F](#) [HA16PRM-3SG\(71\)](#) [AA3FL](#) [AAA4FWZ](#) [AAA4MWZ](#) [AC5FPZB](#) [AC6AFDZV](#) [D4FB](#) [DE4MW](#)
[E3MBAUSW](#) [99.265.0400.0](#) [A3F04](#) [AC3FG](#) [AC4-FCP](#) [AQG4F](#) [2504FP](#) [R6MZ](#) [3FD-V-I-B](#) [3MD-V-I-B](#) [TA01](#) [TA3MWX](#) [TA5MLWX](#)
[TRASM4M1X](#) [TRASM7M1X](#) [ML1](#) [TS05TS](#) [3FD-L-I-\(O\)](#) [D6FDB](#) [DB25FTRS](#) [DHNF-BAG-MAD](#) [DHNF-BAG-O](#) [DHNM-BAG](#)
[XLRF05TRS](#) [XLRM05XLRFB](#) [XLRM05XLRFB](#) [XLRM10XLRFB](#) [E3FBAUSW](#) [E3FSW](#) [E3MSW](#) [SR03](#) [TA4FLWX](#) [TA6FLWX](#)
[TRAPC8M1X](#) [TRASM6M1X](#) [TRS10TRS](#) [TRSF05XLRM](#) [TRSF10XLRM](#)