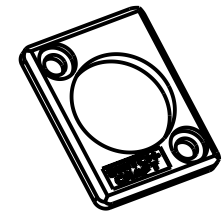
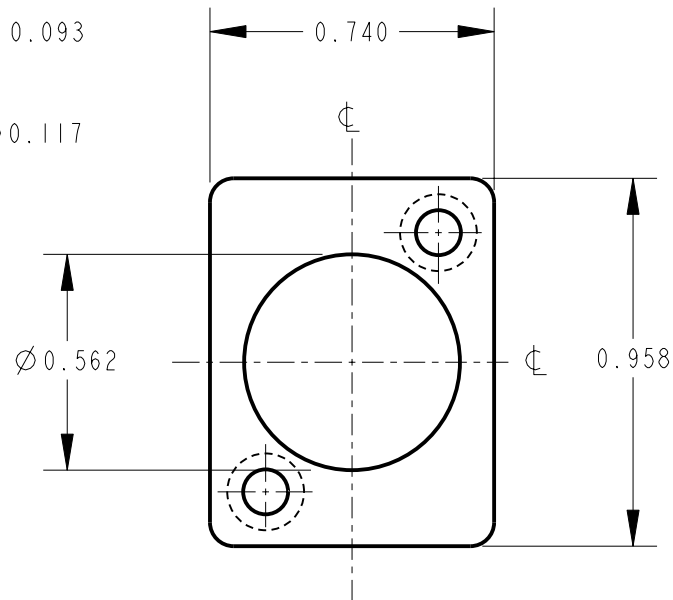


SECTION B-B



SCALE 1:1

PART NUMBER	PART REV.	COLOR	ESCUTCHEON
TYEF01	A	RED	417E1112E
TYEF02	B	BLACK	417E1110A
TYEF03	A	GREEN	417E1115C
TYEF04	A	BLUE	417E1116G
TYEF05	A	WHITE	417E1119B
TYEF08	INACTIVE	YELLOW	417E1114B
TYEF11	INACTIVE	GRAY	417E1118G

ALL DIMENSIONS ARE REFERENCE

★ STAR SYMBOL DENOTES CRITICAL DIMENSION

THIS DRAWING DESCRIBES A DESIGN CONSIDERED PROPRIETARY IN NATURE, DEVELOPED AND MANUFACTURED BY SWITCHCRAFT INC. AND IS RELEASED ON A CONFIDENTIAL BASIS FOR IDENTIFICATION PURPOSES ONLY.

UNLESS OTHERWISE SPECIFIED

SIZE WIDTH MULT LBS/M TEMPER

- ALL DIMENSIONS IN INCHES
- TWO PLACE DECIMALS ± 0.01
- THREE PLACE DECIMALS ± 0.005
- ANGLES $\pm 1^\circ$
- ALL DIA. CONCENTRIC WITHIN 0.005 T.I.R.

FINISH SEE TABLE MATERIAL
SPEC No. SPEC No.

- FEATURES ON THE SAME CENTERLINE MUST BE ALIGNED WITHIN ± 0.002

FIRST USED ON SCALE
TY*F 2:1

- REMOVE ALL BURRS

DATE DRAWN BY CHKD APVD
6-3-80 IG JS EB
6-19-80 12-10-98

Switchcraft®

DO NOT SCALE DRAWING

NAME PART No. REV
ESCUTCHEON PLASTIC TYEF** D

REV	ECO NUMBER	DATE	BY	APVD
D	22588	12-10-98	JL	EB
C	22579	12-9-98	JL	EB
B	20900	7-15-96	RC	JF
A	16198	9-4-90	CS	CS
REVISIONS				

Pro/Engineer CAD File



ROUTING 146

112



X-ON Electronics

Largest Supplier of Electrical and Electronic Components

Click to view similar products for [XLR Connectors](#) category:

Click to view products by [SWITCHCRAFT](#) manufacturer:

Other Similar products are found below :

[707-0300](#) [A3F01](#) [A3M01](#) [QGP3F](#) [HA16PRM-3SG\(71\)](#) [AA3FL](#) [AAA4FWZ](#) [AAA4MWZ](#) [AC5FPZB](#) [AC6AFDZV](#) [D4FB](#) [DE4MW](#)
[E3MBAUSW](#) [99.265.0400.0](#) [A3F04](#) [AC3FG](#) [AC4-FCP](#) [AQG4F](#) [2504FP](#) [R6MZ](#) [3FD-V-I-B](#) [3MD-V-I-B](#) [TA01](#) [TA3MWX](#) [TA5MLWX](#)
[TRASM4M1X](#) [TRASM7M1X](#) [ML1](#) [TS05TS](#) [3FD-L-I-\(O\)](#) [D6FDB](#) [DB25FTRS](#) [DHNF-BAG-MAD](#) [DHNF-BAG-O](#) [DHNM-BAG](#)
[XLRF05TRS](#) [XLRM05XLRF](#) [XLRM05XLRFB](#) [XLRM10XLRF](#) [E3FBAUSW](#) [E3FSW](#) [E3MSW](#) [SR03](#) [TA4FLWX](#) [TA6FLWX](#)
[TRAPC8M1X](#) [TRASM6M1X](#) [TRS10TRS](#) [TRSF05XLRM](#) [TRSF10XLRM](#)