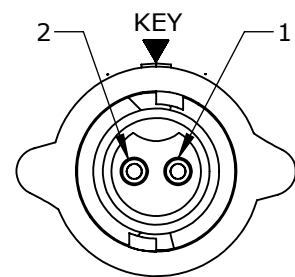


APPROVED BY: DATE: QA APPROVED BY: DATE:

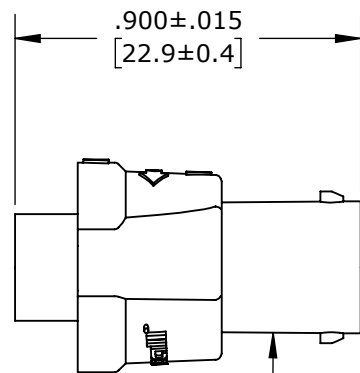
ASS'Y P/N	CONTACT QTY.	CABLE O.D. RANGE
W16280-2PG-P-311	2	0.09 - 0.14 [2.3 - 3.6]
W16280-2PG-P-315	2	0.15 - 0.17 [3.8 - 4.3]
W16280-2PG-P-318	2	0.18 - 0.20 [4.6 - 5.1]
W16280-3PG-P-311	3	0.09 - 0.14 [2.3 - 3.6]
W16280-3PG-P-315	3	0.15 - 0.17 [3.8 - 4.3]
W16280-3PG-P-318	3	0.18 - 0.20 [4.6 - 5.1]
W16280-XPG-P-3XX		

NOTES:

1. ALL PARTS ARE BULK PACKED.
2. REFER TO DRAWING HPMCSTD FOR CONTACT PATTERNS.
3. ALL DIMENSIONS ARE REFERENCE ONLY IN INCHES [mm], WITHIN ±0.015 UNLESS OTHERWISE NOTED.

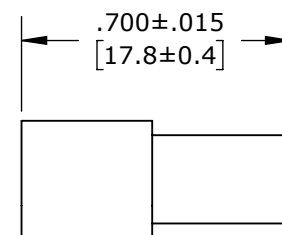


FACE VIEW
W16280-2PG-P-3XX

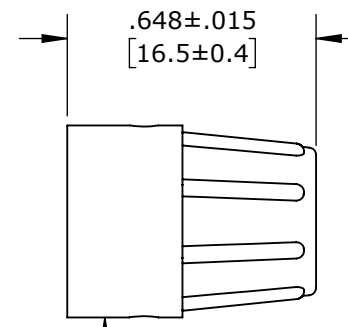


CABLE-END ASSEMBLY KIT
 MAT'L: HOUSING -THERMOPLASTIC, BLACK
 O-RING - SILICONE, RED
 COUPLING RING - THERMOPLASTIC, BLACK
 SPRING (INTERNAL) - STAINLESS STEEL

(2-3) # 20 PIN CONTACTS
 CRIMP TAIL
 MAT'L: GOLD PLATED, COPPER ALLOY



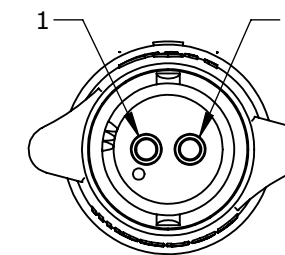
GROMMET
 MAT'L: ELASTOMER, BLACK
 SEE TABLE FOR CABLE O.D. SIZE OPTIONS



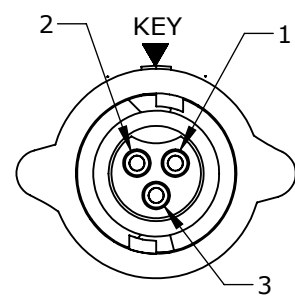
OF CONTACTS

BACKSHELL
 MAT'L: THERMOPLASTIC, BLACK

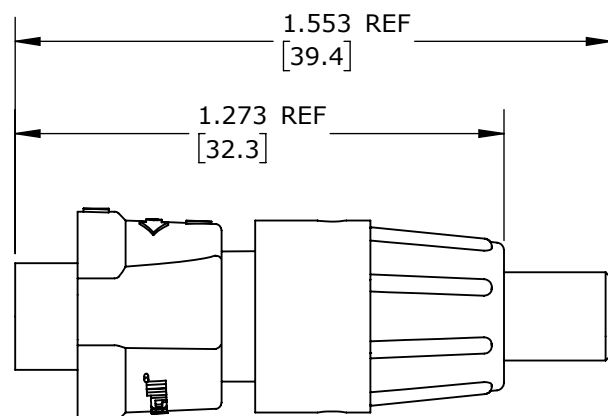
GROMMET SIZE = CABLE O.D. RANGE:
 311 = 0.09 - 0.14 [2.3 - 3.6]
 315 = 0.15 - 0.17 [3.8 - 4.3]
 318 = 0.18 - 0.20 [4.6 - 5.1]



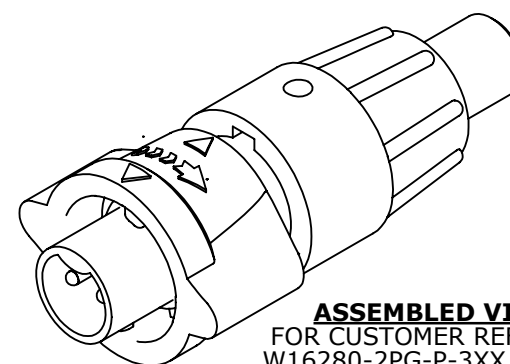
WIRING VIEW
W16280-2PG-P-3XX



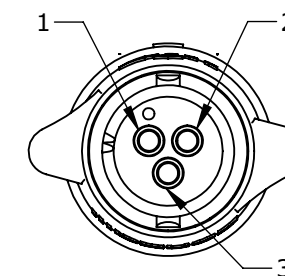
FACE VIEW
W16280-3PG-P-3XX



ASSEMBLED VIEW
FOR CUSTOMER REF. ONLY



ASSEMBLED VIEW
FOR CUSTOMER REF. ONLY
W16280-2PG-P-3XX SHOWN



WIRING VIEW
W16280-3PG-P-3XX

CUSTOMER PRINT

PART NUMBER: W16280-XPG-P-3XX

CUSTOMER APPROVAL

THIS DOCUMENT CONTAINS CONFIDENTIAL INFORMATION PROPRIETARY TO CONXALL CORPORATION. ANY REPRODUCTION, DISCLOSURE, OR USE OF THIS DOCUMENT / INFORMATION IS EXPRESSLY PROHIBITED UNLESS AUTHORIZED IN WRITING BY CONXALL CORPORATION.

APPROVED BY: _____
 DATE: _____

RoHS COMPLIANT

PRELIMINARY

DIMENSIONS IN BRACKETS [] ARE METRIC

0A	JGK	9/05/19	DRAWING CREATED FOR PDR #18004.	
REV.	INIT.	DATE	DESCRIPTION	
	JGK	9/05/19	ALL INFORMATION ILLUSTRATED IS THE PROPERTY OF CONXALL CORPORATION. UNAUTHORIZED DUPLICATION OR DISTRIBUTION OF THIS DOCUMENT IS PROHIBITED. ORG. DRAWN BY: JGK DATE: 9/05/19 CHECKED BY: _____ APPROVED BY: _____ ALL UNITS ARE IN FEET, INCHES, FRACTION OF INCHES AND DECIMALS. UNLESS OTHERWISE SPECIFIED TOLERANCES: 3 PLACE DECIMALS ±.005 ANGLES ±1° FRACTIONS ±1/16 ▽ = CRITICAL CHARACTERISTIC FLAG PER SPEC. XXXX	
SCALE: NTS SIZE: B SHEET: 1 OF 1 FILE: W16280-XPG-P-3XX DIRECTORY: SLW			 601 E. WILDWOOD VILLA PARK, IL 60181 TITLE: CABLE-END ASSEMBLY 2-3 #20 PIN CONTACTS, CRIMP INSTA-CLICK, MICRO-CON-X STANDARD PRODUCT CUSTOMER: _____ PART NUMBER: W16280-XPG-P-3XX	
				REV 0A

X-ON Electronics

Largest Supplier of Electrical and Electronic Components

Click to view similar products for [Standard Circular Connector](#) category:

Click to view products by [Switchcraft](#) manufacturer:

Other Similar products are found below :

[5M2530B10P](#) [600259N006](#) [600273N007](#) [6134-336-13149](#) [6134-337-11149](#) [6134-337-2390](#) [6134-341-17149](#) [6280-4SG-516](#) [6280-7SG-3DC](#)
[6290](#) [6291A](#) [66200A-10](#) [680-SMG](#) [681-PMG](#) [CXS3102A14S2P](#) [CXS3102A181S](#) [7271-6SG-300](#) [7282-3PG-300-CH3](#) [75-474014-05S](#) [75-](#)
[474618-01S](#) [75-474618-04P](#) [75-474618-04S](#) [799539-000](#) [MI8-SE](#) [805-005-07NF11-19PC](#) [805-005-07NF15-7PA](#) [8280-4PG-516](#) [8280-7PG-](#)
[519](#) [8282-5PG-519](#) [836783-1](#) [MP-4102-25P-C](#) [862256-1](#) [864019-2](#) [866857-1](#) [867865-1](#) [PT01SP-14-18P](#) [PT08P-14-5S](#) [120-1833-000](#)
[QCM019PC2DC012B](#) [1-2069279-1](#) [121583-0217](#) [121667-0020](#) [129591AU](#) [1000B BULK](#) [RD10A16-19-P6CS051/1](#) [RD10A20-31-](#)
[P8CS051/1](#) [RD16A14-12-S6CS051/2](#) [1301240290](#) [1301240347](#) [1301860202](#) [1301240268](#)