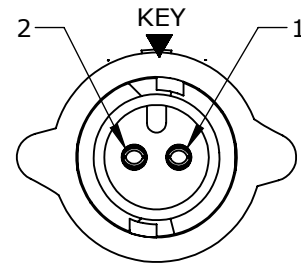


MFG. ENG.	APPROVED BY:	DATE:	QA	APPROVED BY:	DATE:
-----------	--------------	-------	----	--------------	-------

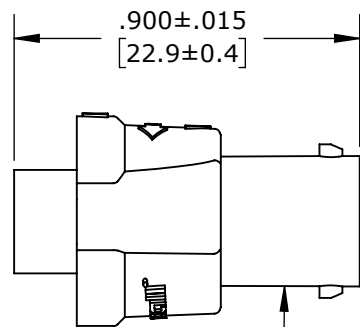
ASS'Y P/N	CONTACT QTY.	CABLE O.D. RANGE
W16280-2SG-P-311	2	0.09 - 0.14 [2.3 - 3.6]
W16280-2SG-P-315	2	0.15 - 0.17 [3.8 - 4.3]
W16280-2SG-P-318	2	0.18 - 0.20 [4.6 - 5.1]
W16280-3SG-P-311	3	0.09 - 0.14 [2.3 - 3.6]
W16280-3SG-P-315	3	0.15 - 0.17 [3.8 - 4.3]
W16280-3SG-P-318	3	0.18 - 0.20 [4.6 - 5.1]
W16280-XSG-P-3XX		

NOTES:

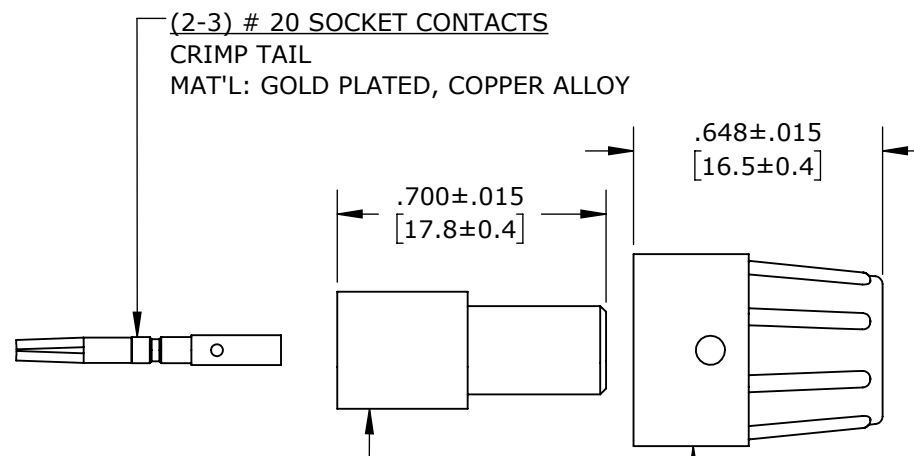
1. ALL PARTS ARE BULK PACKED.
2. REFER TO DRAWING HPMCSTD FOR CONTACT PATTERNS.
3. ALL DIMENSIONS ARE REFERENCE ONLY IN INCHES [mm], WITHIN ±0.015 UNLESS OTHERWISE NOTED.



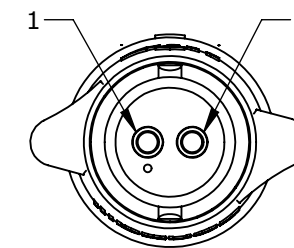
FACE VIEW
W16280-2SG-P-3XX



CABLE-END ASSEMBLY KIT
 MAT'L: HOUSING -THERMOPLASTIC, BLACK
 O-RING - SILICONE, RED
 COUPLING RING - THERMOPLASTIC, BLACK
 SPRING (INTERNAL) - STAINLESS STEEL

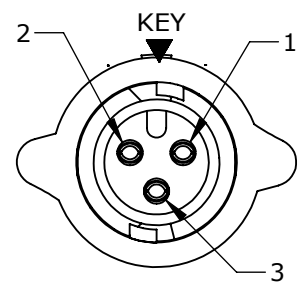


GROMMET
 MAT'L: ELASTOMER, BLACK
 SEE TABLE FOR CABLE O.D. SIZE OPTIONS

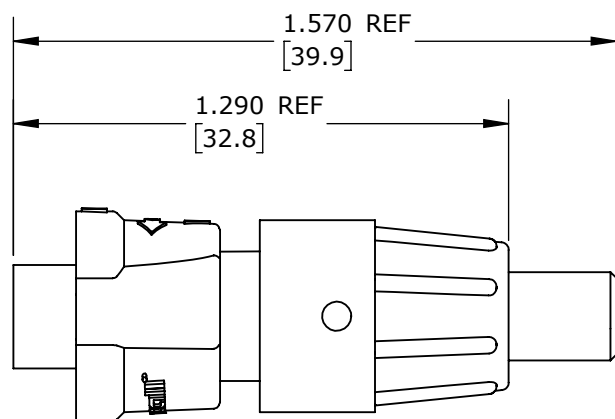


WIRING VIEW
W16280-2SG-P-3XX

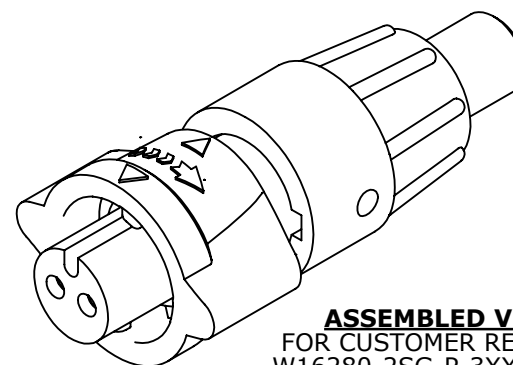
GROMMET SIZE = CABLE O.D. RANGE:
 311 = 0.09 - 0.14 [2.3 - 3.6]
 315 = 0.15 - 0.17 [3.8 - 4.3]
 318 = 0.18 - 0.20 [4.6 - 5.1]



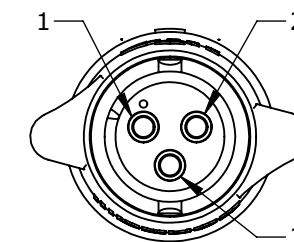
FACE VIEW
W16280-3SG-P-3XX



ASSEMBLED VIEW
FOR CUSTOMER REF. ONLY



ASSEMBLED VIEW
FOR CUSTOMER REF. ONLY
W16280-2SG-P-3XX SHOWN



WIRING VIEW
W16280-3SG-P-3XX

CUSTOMER PRINT

PART NUMBER: W16280-XSG-P-3XX

CUSTOMER APPROVAL

THIS DOCUMENT CONTAINS CONFIDENTIAL INFORMATION PROPRIETARY TO CONXALL CORPORATION. ANY REPRODUCTION, DISCLOSURE, OR USE OF THIS DOCUMENT /INFORMATION IS EXPRESSLY PROHIBITED UNLESS AUTHORIZED IN WRITING BY CONXALL CORPORATION.

APPROVED BY: _____
 DATE: _____

RoHS COMPLIANT

PRELIMINARY

DIMENSIONS IS BRACKETS [] ARE METRIC

0A	JGK	09/06/19	DRAWING CREATED FOR PDR #18004.		
REV.	INIT.	DATE	DESCRIPTION		
	JGK	9/06/19	ALL INFORMATION ILLUSTRATED IS THE PROPERTY OF "CONXALL CORPORATION." UNAUTHORIZED DUPLICATION OR DISTRIBUTION OF THIS DOCUMENT IS PROHIBITED. ALL UNITS ARE IN FEET, INCHES, FRACTION OF INCHES AND DECIMALS. UNLESS OTHERWISE SPECIFIED TOLERANCES: 3 PLACE DECIMALS ±.005 ANGLES ±1° FRACTIONS ±1/16 ▽ - CRITICAL CHARACTERISTIC FLAG PER SPEC. XXXX		
APPROVED BY:			 601 E. WILDWOOD VILLA PARK, IL 60181		
SCALE			SIZE	SHEET	
NTS			B	1 OF 1	
FILE:			DIRECTORY:	PART NUMBER:	REV
W16280-XSG-P-3XX			SLW	W16280-XSG-P-3XX	0A
			TITLE: CABLE-END ASSEMBLY 2-3 #20 SOCKET CONTACTS, CRIMP INSTA-CLICK, MICRO-CON-X STANDARD PRODUCT CUSTOMER:		

X-ON Electronics

Largest Supplier of Electrical and Electronic Components

Click to view similar products for [Standard Circular Connector](#) category:

Click to view products by [Switchcraft](#) manufacturer:

Other Similar products are found below :

[5M2530B10P](#) [600259N006](#) [600273N007](#) [6134-336-13149](#) [6134-337-11149](#) [6134-337-2390](#) [6134-341-17149](#) [6280-4SG-516](#) [6280-7SG-3DC](#)
[6290](#) [6291A](#) [66200A-10](#) [680-SMG](#) [681-PMG](#) [CXS3102A14S2P](#) [CXS3102A181S](#) [7271-6SG-300](#) [7282-3PG-300-CH3](#) [75-474014-05S](#) [75-](#)
[474618-01S](#) [75-474618-04P](#) [75-474618-04S](#) [799539-000](#) [MI8-SE](#) [805-005-07NF11-19PC](#) [805-005-07NF15-7PA](#) [8280-4PG-516](#) [8280-7PG-](#)
[519](#) [8282-5PG-519](#) [836783-1](#) [MP-4102-25P-C](#) [862256-1](#) [864019-2](#) [866857-1](#) [867865-1](#) [PT01SP-14-18P](#) [PT08P-14-5S](#) [120-1833-000](#)
[QCM019PC2DC012B](#) [1-2069279-1](#) [121583-0217](#) [121667-0020](#) [129591AU](#) [1000B BULK](#) [RD10A16-19-P6CS051/1](#) [RD10A20-31-](#)
[P8CS051/1](#) [RD16A14-12-S6CS051/2](#) [1301240290](#) [1301240347](#) [1301860202](#) [1301240268](#)