

|           |              |       |    |              |       |
|-----------|--------------|-------|----|--------------|-------|
| MFG. ENG. | APPROVED BY: | DATE: | QA | APPROVED BY: | DATE: |
|-----------|--------------|-------|----|--------------|-------|

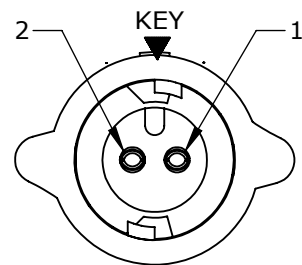
| ASS'Y P/N        | CONTACT QTY. | CABLE O.D. RANGE        |
|------------------|--------------|-------------------------|
| W16282-2SG-P-311 | 2            | 0.09 - 0.14 [2.3 - 3.6] |
| W16282-2SG-P-315 | 2            | 0.15 - 0.17 [3.8 - 4.3] |
| W16282-2SG-P-318 | 2            | 0.18 - 0.20 [4.6 - 5.1] |
| W16282-3SG-P-311 | 3            | 0.09 - 0.14 [2.3 - 3.6] |
| W16282-3SG-P-315 | 3            | 0.15 - 0.17 [3.8 - 4.3] |
| W16282-3SG-P-318 | 3            | 0.18 - 0.20 [4.6 - 5.1] |
| W16282-XSG-P-3XX |              |                         |

**NOTES:**

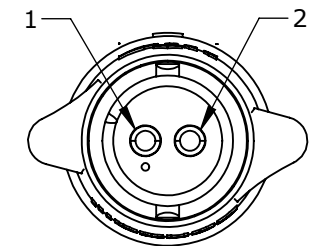
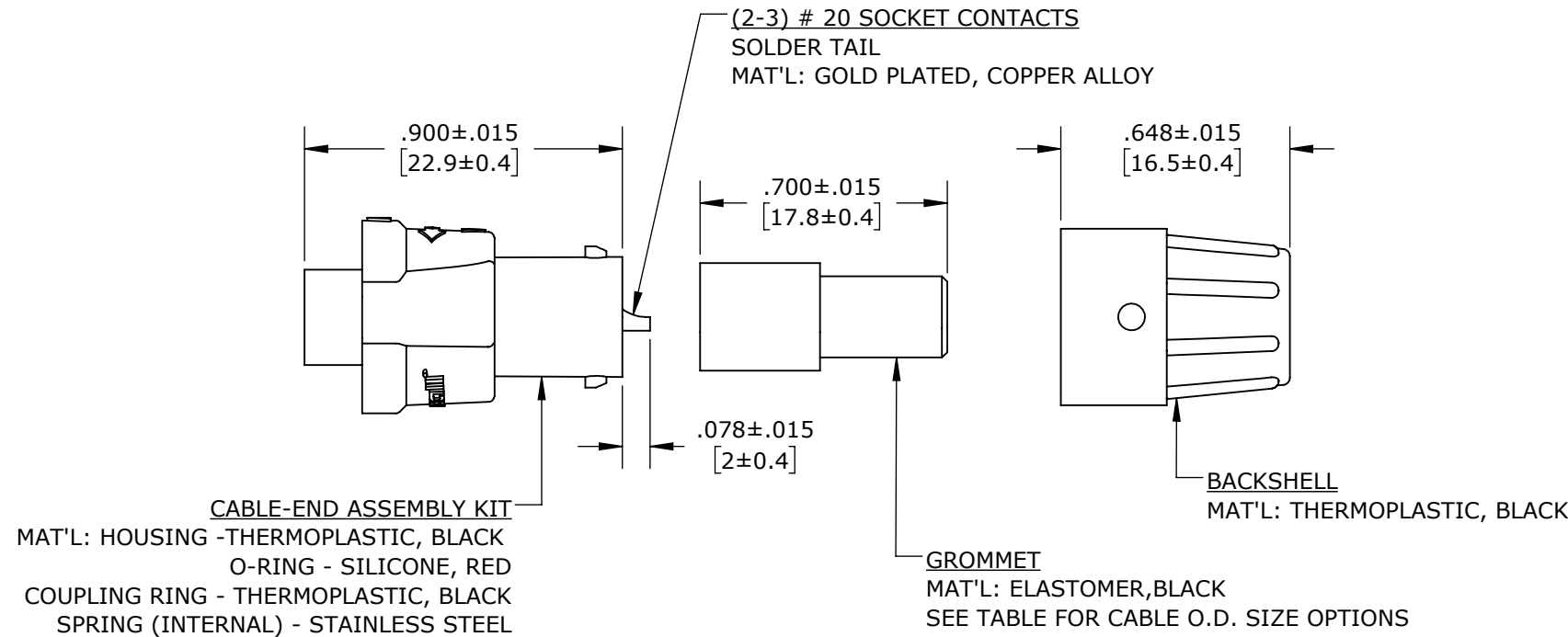
1. ALL PARTS ARE BULK PACKED.
2. REFER TO DRAWING HPMCSTD FOR CONTACT PATTERNS.
3. ALL DIMENSIONS ARE REFERENCE ONLY IN INCHES [mm], WITHIN ±0.015 UNLESS OTHERWISE NOTED.

# OF CONTACTS

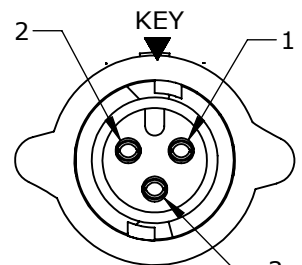
GROMMET SIZE = CABLE O.D. RANGE:  
 311 = 0.09 - 0.14 [2.3 - 3.6]  
 315 = 0.15 - 0.17 [3.8 - 4.3]  
 318 = 0.18 - 0.20 [4.6 - 5.1]



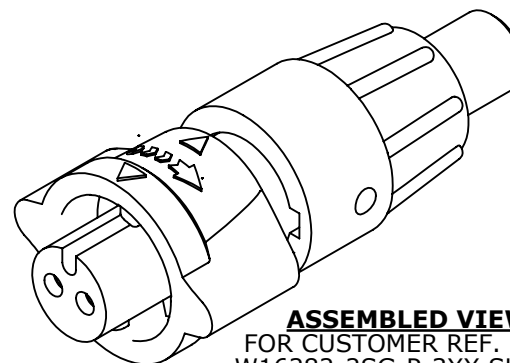
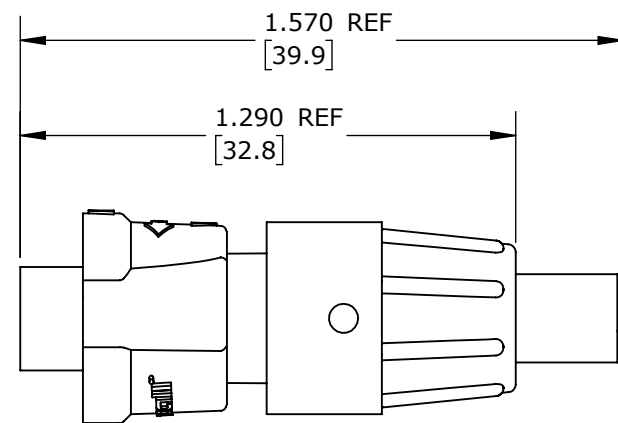
**FACE VIEW**  
W16282-2SG-P-3XX



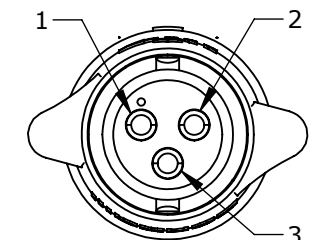
**WIRING VIEW**  
W16282-2SG-P-3XX



**FACE VIEW**  
W16282-3SG-P-3XX



**ASSEMBLED VIEW**  
FOR CUSTOMER REF. ONLY  
W16282-2SG-P-3XX SHOWN



**WIRING VIEW**  
W16282-3SG-P-3XX

CUSTOMER PRINT

PART NUMBER: W16282-XSG-P-3XX

**CUSTOMER APPROVAL**

THIS DOCUMENT CONTAINS CONFIDENTIAL INFORMATION PROPRIETARY TO CONXALL CORPORATION. ANY REPRODUCTION, DISCLOSURE, OR USE OF THIS DOCUMENT /INFORMATION IS EXPRESSLY PROHIBITED UNLESS AUTHORIZED IN WRITING BY CONXALL CORPORATION.

APPROVED BY: \_\_\_\_\_  
 DATE: \_\_\_\_\_

DIMENSIONS IS BRACKETS [ ] ARE METRIC

**PRELIMINARY**

**RoHS COMPLIANT**

|                  |            |                  |  |  |
|------------------|------------|------------------|--|--|
| 0A               | JGK        | 09/06/19         | DRAWING CREATED FOR PDR #18004.  |  |
| REV.             | INIT.      | DATE             | DESCRIPTION  |  |
|                  | JGK        | 9/06/19          | ALL INFORMATION ILLUSTRATED IS THE PROPERTY OF CONXALL CORPORATION. UNAUTHORIZED DUPLICATION OR DISTRIBUTION OF THIS DOCUMENT IS PROHIBITED. |  |
| APPROVED BY:     |            |                  | TITLE:   |  |
| SCALE            |            |                  | CABLE-END ASSEMBLY   |  |
| NTS              | B          | 1 OF 1           | 2-3 #20 SOCKET CONTACTS, SOLDER INSTA-CLICK, MICRO-CON-X STANDARD PRODUCT  |  |
| FILE:            | DIRECTORY: | PART NUMBER:     | CUSTOMER:  |  |
| W16282-XSG-P-3XX | SLW        | W16282-XSG-P-3XX | 0A   |  |



601 E. WILDWOOD VILLA PARK, IL 60181

## X-ON Electronics

Largest Supplier of Electrical and Electronic Components

*Click to view similar products for [Standard Circular Connector](#) category:*

*Click to view products by [Switchcraft](#) manufacturer:*

Other Similar products are found below :

[5M2530B10P](#) [600259N006](#) [600273N007](#) [6134-336-13149](#) [6134-337-11149](#) [6134-337-2390](#) [6134-341-17149](#) [6280-4SG-516](#) [6280-7SG-3DC](#)  
[6290](#) [6291A](#) [66200A-10](#) [680-SMG](#) [681-PMG](#) [CXS3102A14S2P](#) [CXS3102A181S](#) [7271-6SG-300](#) [7282-3PG-300-CH3](#) [75-474014-05S](#) [75-](#)  
[474618-01S](#) [75-474618-04P](#) [75-474618-04S](#) [799539-000](#) [MI8-SE](#) [805-005-07NF11-19PC](#) [805-005-07NF15-7PA](#) [8280-4PG-516](#) [8280-7PG-](#)  
[519](#) [8282-5PG-519](#) [836783-1](#) [MP-4102-25P-C](#) [862256-1](#) [864019-2](#) [866857-1](#) [867865-1](#) [PT01SP-14-18P](#) [PT08P-14-5S](#) [120-1833-000](#)  
[QCM019PC2DC012B](#) [1-2069279-1](#) [121583-0217](#) [121667-0020](#) [129591AU](#) [1000B BULK](#) [RD10A16-19-P6CS051/1](#) [RD10A20-31-](#)  
[P8CS051/1](#) [RD16A14-12-S6CS051/2](#) [1301240290](#) [1301240347](#) [1301860202](#) [1301240268](#)