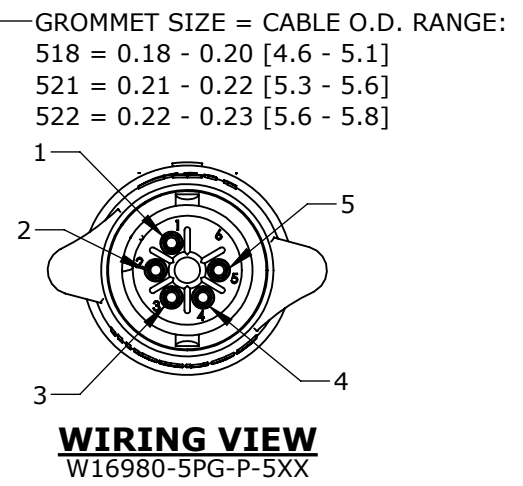
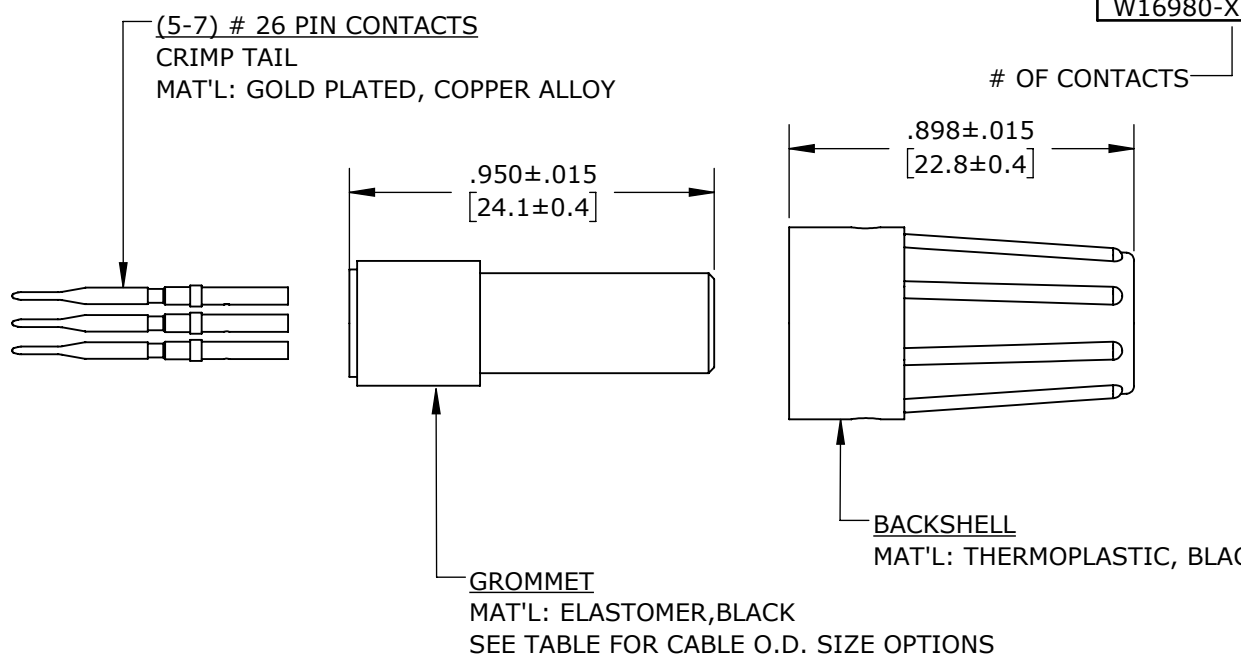
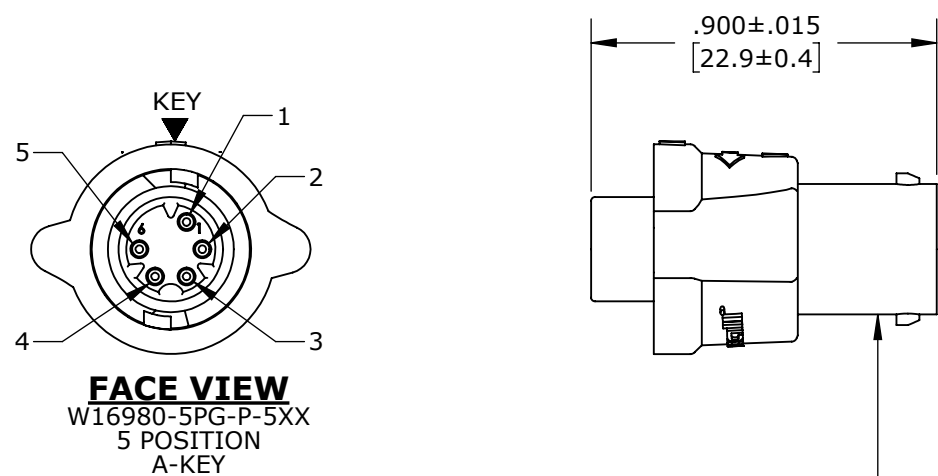


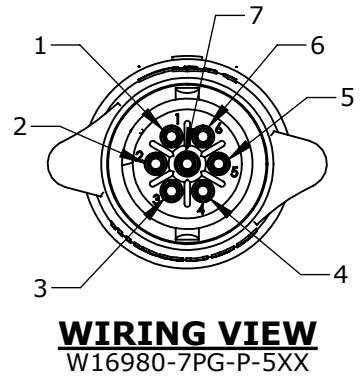
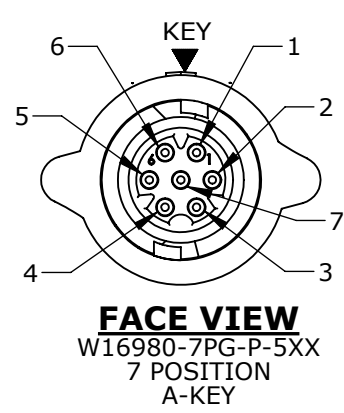
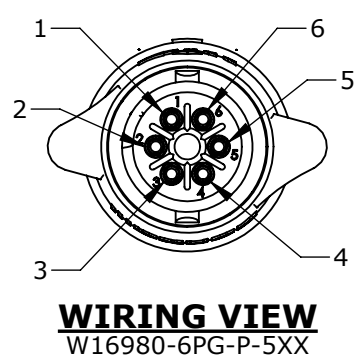
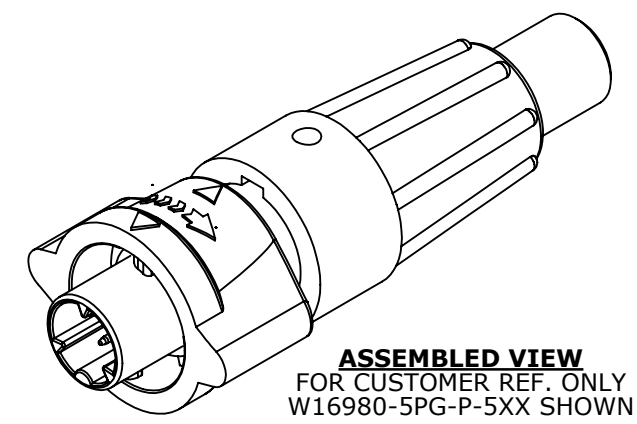
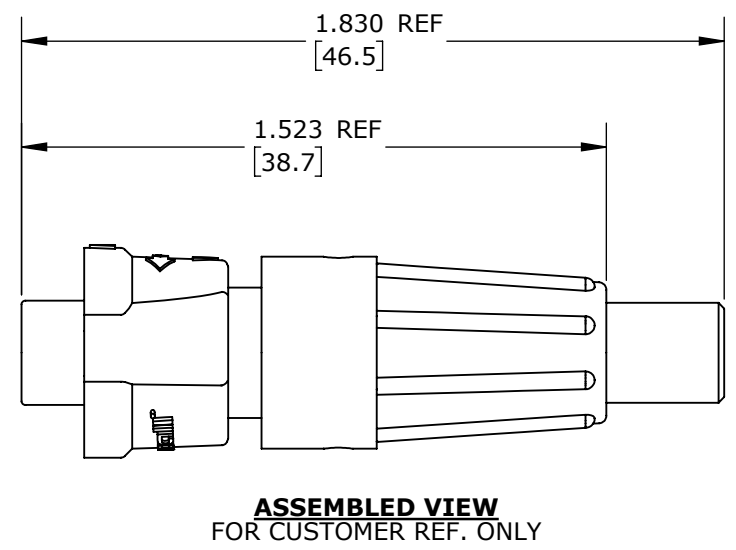
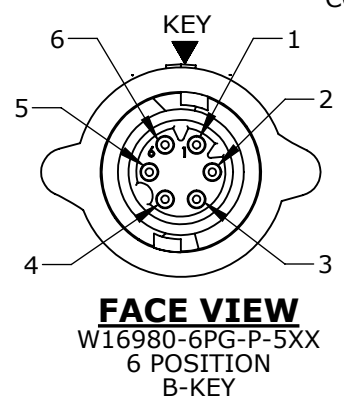
APPROVED BY: DATE: MFG. ENG. QA

ASS'Y P/N	CONTACT QTY.	CABLE O.D. RANGE
W16980-5PG-P-518	5	0.18 - 0.20 [4.6 - 5.1]
W16980-5PG-P-521	5	0.21 - 0.22 [5.3 - 5.6]
W16980-5PG-P-522	5	0.22 - 0.23 [5.6 - 5.8]
W16980-6PG-P-518	6	0.18 - 0.20 [4.6 - 5.1]
W16980-6PG-P-521	6	0.21 - 0.22 [5.3 - 5.6]
W16980-6PG-P-522	6	0.22 - 0.23 [5.6 - 5.8]
W16980-7PG-P-518	7	0.18 - 0.20 [4.6 - 5.1]
W16980-7PG-P-521	7	0.21 - 0.22 [5.3 - 5.6]
W16980-7PG-P-522	7	0.22 - 0.23 [5.6 - 5.8]
W16980-XPG-P-5XX		

- NOTES:**
- ALL PARTS ARE BULK PACKED.
  - REFER TO DRAWING HPMCSTD FOR CONTACT PATTERNS.
  - ALL DIMENSIONS ARE REFERENCE ONLY IN INCHES [mm], WITHIN ±0.015 UNLESS OTHERWISE NOTED.



**CABLE-END ASSEMBLY KIT**  
MAT'L: HOUSING - THERMOPLASTIC, BLACK  
O-RING - SILICONE, RED  
COUPLING RING - THERMOPLASTIC, BLACK  
SPRING (INTERNAL) - STAINLESS STEEL



**CUSTOMER APPROVAL**

THIS DOCUMENT CONTAINS CONFIDENTIAL INFORMATION PROPRIETARY TO CONXALL CORPORATION. ANY REPRODUCTION, DISCLOSURE, OR USE OF THIS DOCUMENT /INFORMATION IS EXPRESSLY PROHIBITED UNLESS AUTHORIZED IN WRITING BY CONXALL CORPORATION.

APPROVED BY: \_\_\_\_\_  
DATE: \_\_\_\_\_

**RoHS COMPLIANT**

0A	JGK	9/09/19	DRAWING CREATED FOR PDR #18004.	
REV.	INIT.	DATE	DESCRIPTION	
	JGK	9/09/19	ALL INFORMATION ILLUSTRATED IS THE PROPERTY OF "CONXALL CORPORATION." UNAUTHORIZED DUPLICATION OR DISTRIBUTION OF THIS DOCUMENT IS PROHIBITED. ORG. DRAWN BY: JGK DATE: 9/09/19 CHECKED BY: _____ APPROVED BY: _____ ALL UNITS ARE IN FEET, INCHES, FRACTION OF INCHES AND DECIMALS. UNLESS OTHERWISE SPECIFIED TOLERANCES: 3 PLACE DECIMALS ±.005 ANGLES ±1° FRACTIONS ±1/16 FILE: W16980-XPG-P-5XX DIRECTORY: SLW TITLE: CABLE-END ASSEMBLY 5-7 #26 PIN CONTACTS, CRIMP INSTA-CLICK, MICRO-CON-X STANDARD PRODUCT CUSTOMER: _____ PART NUMBER: W16980-XPG-P-5XX	
SCALE		SIZE	SHEET	
NTS		B	1 OF 1	
FILE: W16980-XPG-P-5XX		DIRECTORY: SLW	PART NUMBER: W16980-XPG-P-5XX	
				REV 0A

CUSTOMER PRINT

PART NUMBER: W16980-XPG-P-5XX

**PRELIMINARY**

DIMENSIONS IS BRACKETS [ ] ARE METRIC

## X-ON Electronics

Largest Supplier of Electrical and Electronic Components

*Click to view similar products for [Standard Circular Connector](#) category:*

*Click to view products by [Switchcraft](#) manufacturer:*

Other Similar products are found below :

[5M2530B10P](#) [600259N006](#) [600273N007](#) [6134-336-13149](#) [6134-337-11149](#) [6134-337-2390](#) [6134-341-17149](#) [6280-4SG-516](#) [6280-7SG-3DC](#)  
[6290](#) [6291A](#) [66200A-10](#) [680-SMG](#) [681-PMG](#) [CXS3102A14S2P](#) [CXS3102A181S](#) [7271-6SG-300](#) [7282-3PG-300-CH3](#) [75-474014-05S](#) [75-](#)  
[474618-01S](#) [75-474618-04P](#) [75-474618-04S](#) [799539-000](#) [MI8-SE](#) [805-005-07NF11-19PC](#) [805-005-07NF15-7PA](#) [8280-4PG-516](#) [8280-7PG-](#)  
[519](#) [8282-5PG-519](#) [836783-1](#) [MP-4102-25P-C](#) [862256-1](#) [864019-2](#) [866857-1](#) [867865-1](#) [PT01SP-14-18P](#) [PT08P-14-5S](#) [120-1833-000](#)  
[QCM019PC2DC012B](#) [1-2069279-1](#) [121583-0217](#) [121667-0020](#) [129591AU](#) [1000B BULK](#) [RD10A16-19-P6CS051/1](#) [RD10A20-31-](#)  
[P8CS051/1](#) [RD16A14-12-S6CS051/2](#) [1301240290](#) [1301240347](#) [1301860202](#) [1301240268](#)