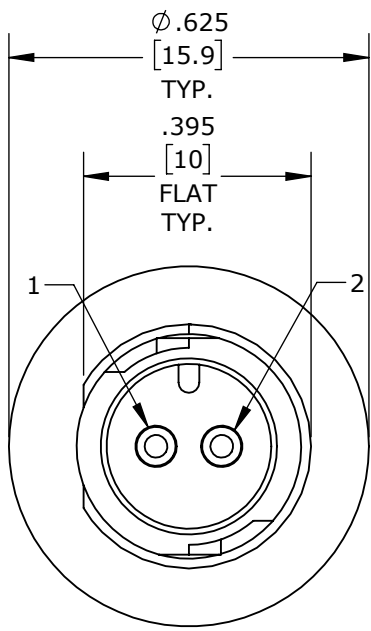


MFG. ENG.	APPROVED BY:	DATE:	QA	APPROVED BY:	DATE:
-----------	--------------	-------	----	--------------	-------

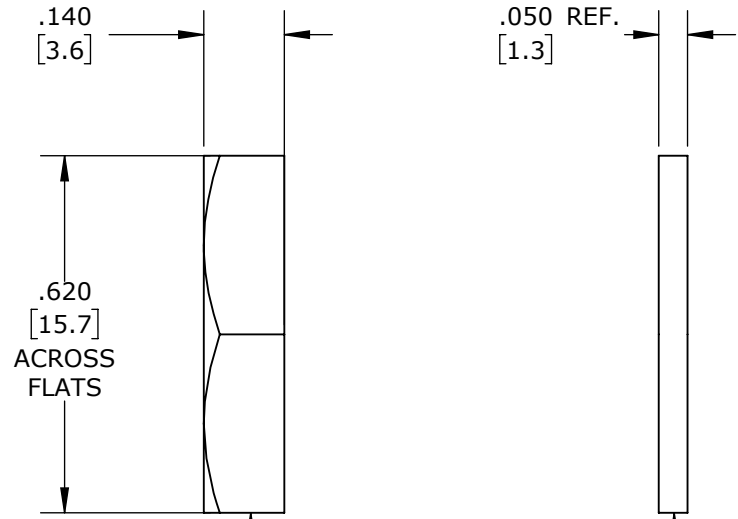
PART NO.	NO. OF PINS
W17281-2PG-P-300	2
W17281-3PG-P-300	3

**NOTES:**

1. ALL PARTS ARE BULK PACKED.
2. REFER TO DRAWING HPMCSTD FOR CONTACT PATTERNS.
3. ALL DIMENSIONS ARE REFERENCE ONLY IN INCHES [mm], WITHIN ±0.015 UNLESS OTHERWISE NOTED.

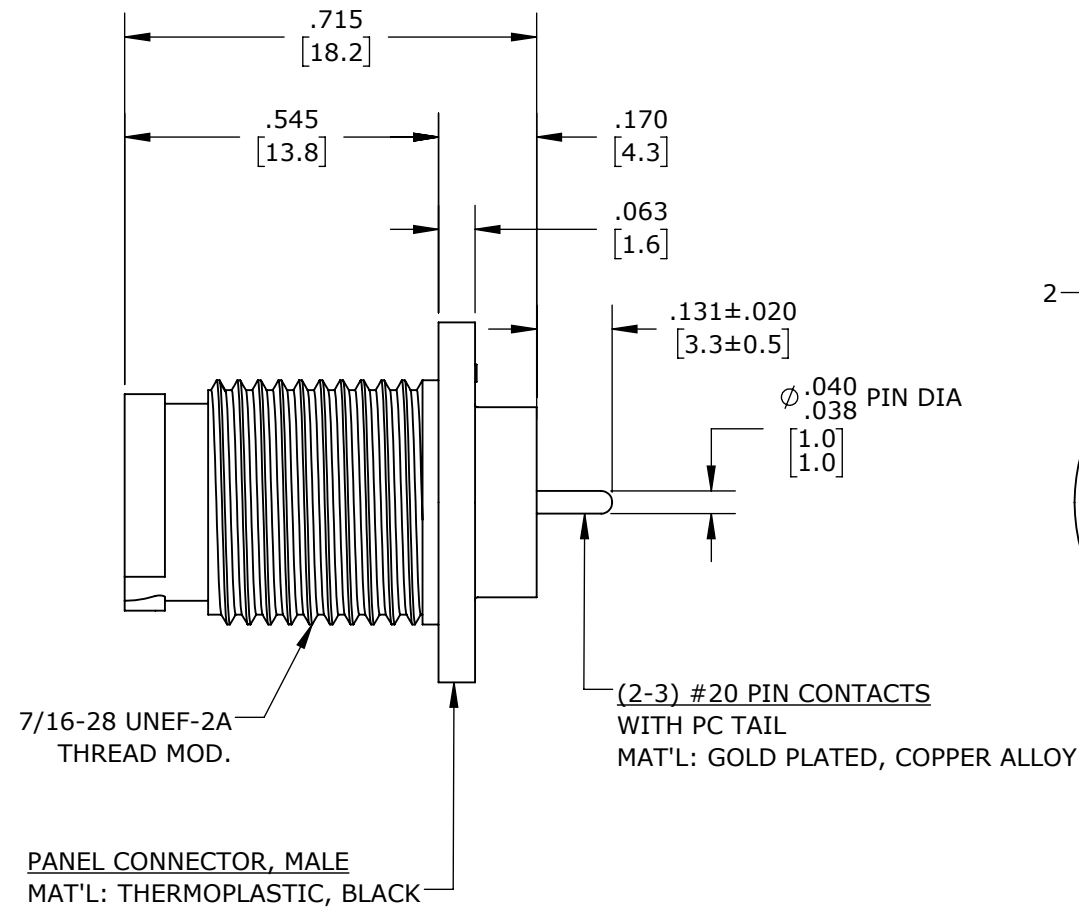


**FACE VIEW**  
W17281-2PG-P-300



5/8 IN. HEX NUT  
MAT'L: THERMOPLASTIC, BLACK

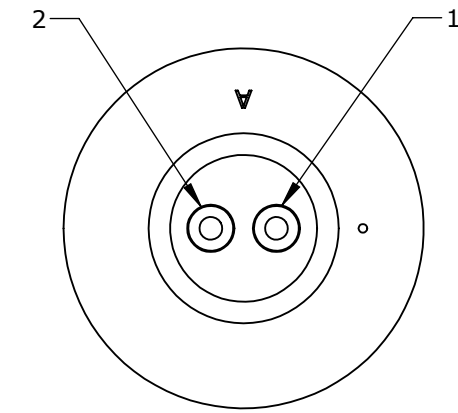
GASKET  
MAT'L: ELASTOMER, BLACK



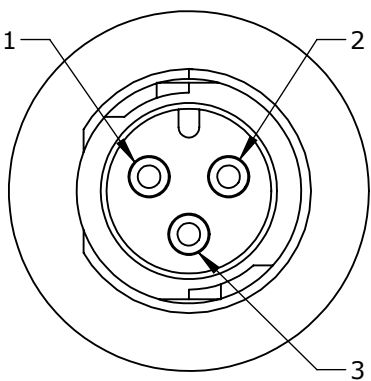
7/16-28 UNEF-2A  
THREAD MOD.

(2-3) #20 PIN CONTACTS  
WITH PC TAIL  
MAT'L: GOLD PLATED, COPPER ALLOY

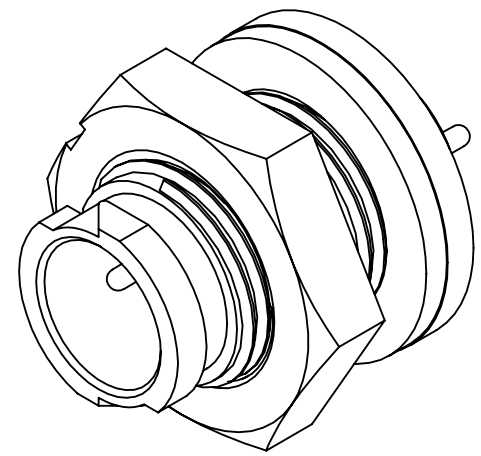
PANEL CONNECTOR, MALE  
MAT'L: THERMOPLASTIC, BLACK



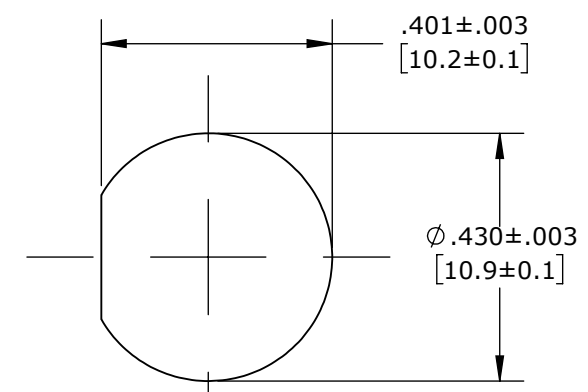
**WIRE VIEW**  
W17281-2PG-P-300



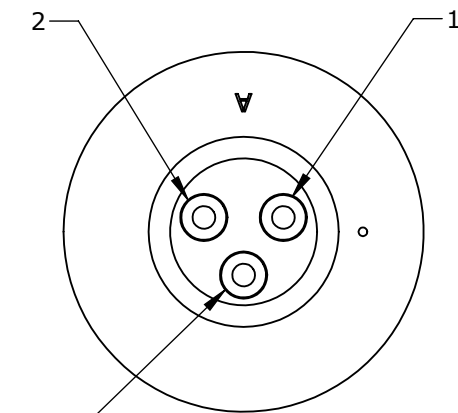
**FACE VIEW**  
W17281-3PG-P-300



**ASSEMBLED VIEW**  
FOR CUSTOMER REF. ONLY



**RECOMMENDED PANEL CUTOUT**



**WIRE VIEW**  
W17281-3PG-P-300

**PRELIMINARY**

DIMENSIONS IN BRACKETS [ ] ARE METRIC

**CUSTOMER APPROVAL**

THIS DOCUMENT CONTAINS CONFIDENTIAL INFORMATION PROPRIETARY TO CONXALL CORPORATION. ANY REPRODUCTION, DISCLOSURE, OR USE OF THIS DOCUMENT / INFORMATION IS EXPRESSLY PROHIBITED UNLESS AUTHORIZED IN WRITING BY CONXALL CORPORATION.

APPROVED BY: \_\_\_\_\_

DATE: \_\_\_\_\_

**RoHS COMPLIANT**

0A	JGK	8/12/19	DRAWING CREATED FOR PDR #18004.		
REV.	INIT.	DATE	DESCRIPTION		
	JGK	8/12/19	ALL INFORMATION ILLUSTRATED IS THE PROPERTY OF CONXALL CORPORATION. UNAUTHORIZED DUPLICATION OR DISTRIBUTION OF THIS DOCUMENT IS PROHIBITED.		
APPROVED BY:					
TITLE:			PANEL MOUNT ASSEMBLY (2-3) #20 PIN CONTACTS, PC TAIL INSTA-CLICK, MICRO-CON-X STANDARD PRODUCT		
SCALE:			CUSTOMER:		
NTS			W17281-XPG-P-300		
SHEET:			PART NUMBER:		
1 OF 1			W17281-XPG-P-300		
FILE:			REV		
W17281-XPG-P-300			0A		

CUSTOMER PRINT

PART NUMBER: W17281-XPG-P-300

## X-ON Electronics

Largest Supplier of Electrical and Electronic Components

*Click to view similar products for [Standard Circular Connector](#) category:*

*Click to view products by [Switchcraft](#) manufacturer:*

Other Similar products are found below :

[5M2530B10P](#) [600259N006](#) [600273N007](#) [6134-336-13149](#) [6134-337-11149](#) [6134-337-2390](#) [6134-341-17149](#) [6280-4SG-516](#) [6280-7SG-3DC](#)  
[6290](#) [6291A](#) [66200A-10](#) [680-SMG](#) [681-PMG](#) [CXS3102A14S2P](#) [CXS3102A181S](#) [7271-6SG-300](#) [7282-3PG-300-CH3](#) [75-474618-01S](#) [75-](#)  
[474618-04P](#) [75-474618-04S](#) [799539-000](#) [MI8-SE](#) [805-005-07NF11-19PC](#) [805-005-07NF15-7PA](#) [8280-4PG-516](#) [8280-7PG-519](#) [8282-5PG-](#)  
[519](#) [836783-1](#) [MP-4102-25P-C](#) [862256-1](#) [864019-2](#) [866857-1](#) [867865-1](#) [PT01SP-14-18P](#) [PT08P-14-5S](#) [120-1833-000](#)  
[QCM019PC2DC012B](#) [1-2069279-1](#) [121583-0217](#) [121667-0020](#) [129591AU](#) [1000B BULK](#) [RD10A16-19-P6CS051/1](#) [RD10A20-31-](#)  
[P8CS051/1](#) [RD16A14-12-S6CS051/2](#) [1301240290](#) [1301240347](#) [1301860202](#) [1301240268](#) [1301240275](#)