

MFG. ENG.	APPROVED BY:	DATE:	APPROVED BY:	DATE:
			QA	

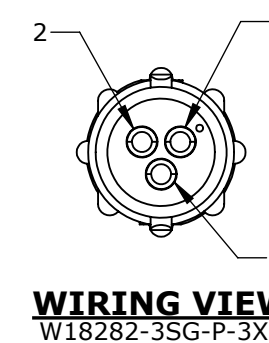
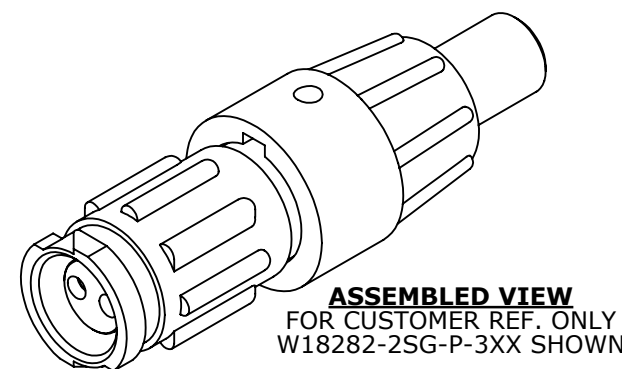
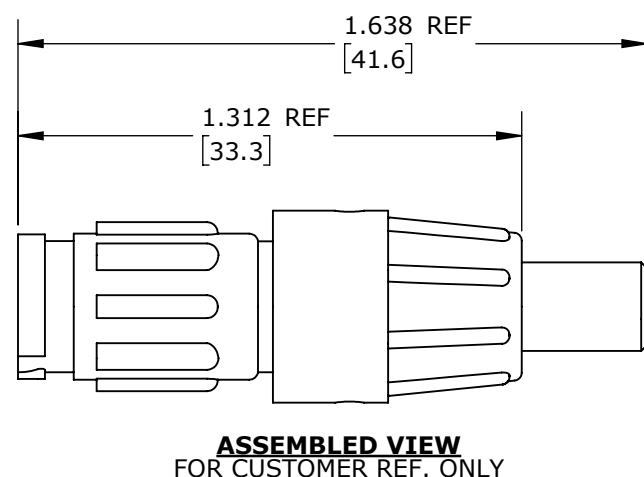
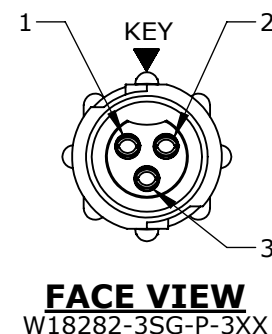
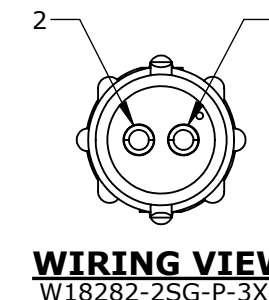
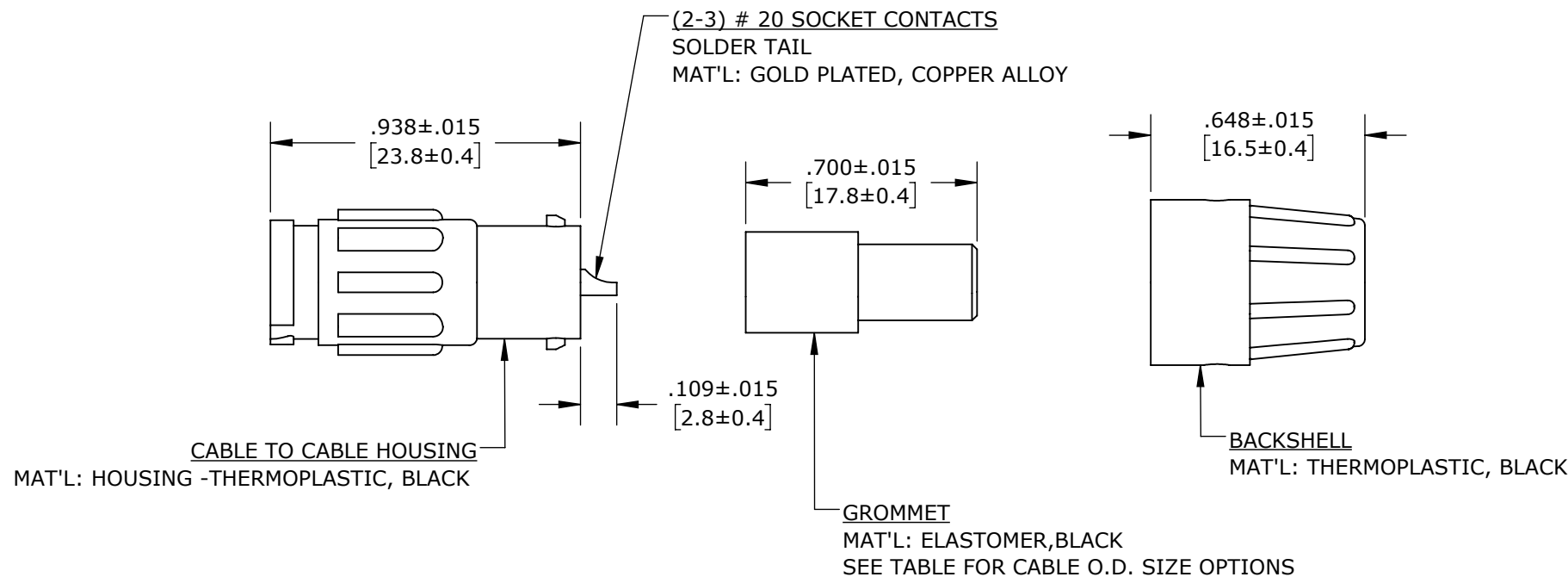
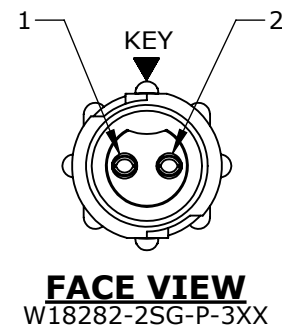
ASS'Y P/N	CONTACT QTY.	CABLE O.D. RANGE
W18282-2SG-P-311	2	0.09 - 0.14 [2.3 - 3.6]
W18282-2SG-P-315	2	0.15 - 0.17 [3.8 - 4.3]
W18282-2SG-P-318	2	0.18 - 0.20 [4.6 - 5.1]
W18282-3SG-P-311	3	0.09 - 0.14 [2.3 - 3.6]
W18282-3SG-P-315	3	0.15 - 0.17 [3.8 - 4.3]
W18282-3SG-P-318	3	0.18 - 0.20 [4.6 - 5.1]
W18282-XSG-P-3XX		

NOTES:

1. ALL PARTS ARE BULK PACKED.
2. REFER TO DRAWING HPMCSTD FOR CONTACT PATTERNS.
3. ALL DIMENSIONS ARE REFERENCE ONLY IN INCHES [mm], WITHIN ±0.015 UNLESS OTHERWISE NOTED.

OF CONTACTS

GROMMET SIZE = CABLE O.D. RANGE:
 311 = 0.09 - 0.14 [2.3 - 3.6]
 315 = 0.15 - 0.17 [3.8 - 4.3]
 318 = 0.18 - 0.20 [4.6 - 5.1]



CUSTOMER PRINT

PART NUMBER: W18282-XSG-P-3XX

CUSTOMER APPROVAL

THIS DOCUMENT CONTAINS CONFIDENTIAL INFORMATION PROPRIETARY TO CONXALL CORPORATION. ANY REPRODUCTION, DISCLOSURE, OR USE OF THIS DOCUMENT /INFORMATION IS EXPRESSLY PROHIBITED UNLESS AUTHORIZED IN WRITING BY CONXALL CORPORATION.

APPROVED BY: _____
 DATE: _____

RoHS COMPLIANT

PRELIMINARY

DIMENSIONS IS BRACKETS [] ARE METRIC

0A	JGK	8/22/19	DRAWING CREATED FOR PDR #18004.	
REV.	INIT.	DATE	DESCRIPTION	
	JGK	8/22/19	ORIG. DRAWN BY: DATE: 8/22/19	
ALL INFORMATION ILLUSTRATED IS THE PROPERTY OF CONXALL CORPORATION. UNAUTHORIZED DUPLICATION OR DISTRIBUTION OF THIS DOCUMENT IS PROHIBITED.			 601 E. WILDWOOD VILLA PARK, IL 60181	
ALL UNITS ARE IN FEET, INCHES, FRACTION OF INCHES AND DECIMALS. UNLESS OTHERWISE SPECIFIED TOLERANCES: 3 PLACE DECIMALS ±.005 ANGLES ±1° FRACTIONS ±1/16				
APPROVED BY:			TITLE: CABLE TO CABLE CONN. ASS'Y (2-3) #20 SOCKET CONTACTS, SOLDER INSTA-CLICK, MICRO-CON-X STANDARD PRODUCT	
SCALE	SIZE	SHEET	CUSTOMER:	
NTS	B	1 OF 1	W18282-XSG-P-3XX	
FILE:	DIRECTORY:	PART NUMBER:	REV	
W18282-XSG-P-3XX	SLW	W18282-XSG-P-3XX	0A	

X-ON Electronics

Largest Supplier of Electrical and Electronic Components

Click to view similar products for [Standard Circular Connector](#) category:

Click to view products by [Switchcraft](#) manufacturer:

Other Similar products are found below :

[5M2530B10P](#) [600259N006](#) [600273N007](#) [6134-336-13149](#) [6134-337-11149](#) [6134-337-2390](#) [6134-341-17149](#) [6280-4SG-516](#) [6280-7SG-3DC](#)
[6290](#) [6291A](#) [66200A-10](#) [680-SMG](#) [681-PMG](#) [CXS3102A14S2P](#) [CXS3102A181S](#) [7251-5SG-300](#) [7271-6SG-300](#) [7282-3PG-300-CH3](#) [75-](#)
[474618-01S](#) [75-474618-04P](#) [75-474618-04S](#) [799539-000](#) [MI8-SE](#) [805-005-07NF11-19PC](#) [805-005-07NF15-7PA](#) [8280-4PG-516](#) [8280-7PG-](#)
[519](#) [8282-5PG-519](#) [836783-1](#) [MP-4102-25P-C](#) [862256-1](#) [864019-2](#) [866857-1](#) [867865-1](#) [PT01SP-14-18P](#) [PT08P-14-5S](#) [PTSF06SE-14-12S](#)
[120-1833-000](#) [QCM019PC2DC012B](#) [1-2069279-1](#) [121583-0217](#) [121667-0020](#) [129591AU](#) [1000B BULK](#) [RD10A16-19-P6CS051/1](#)
[RD10A20-31-P8CS051/1](#) [RD16A14-12-S6CS051/2](#) [1301240290](#) [1301240347](#) [1301860202](#)