

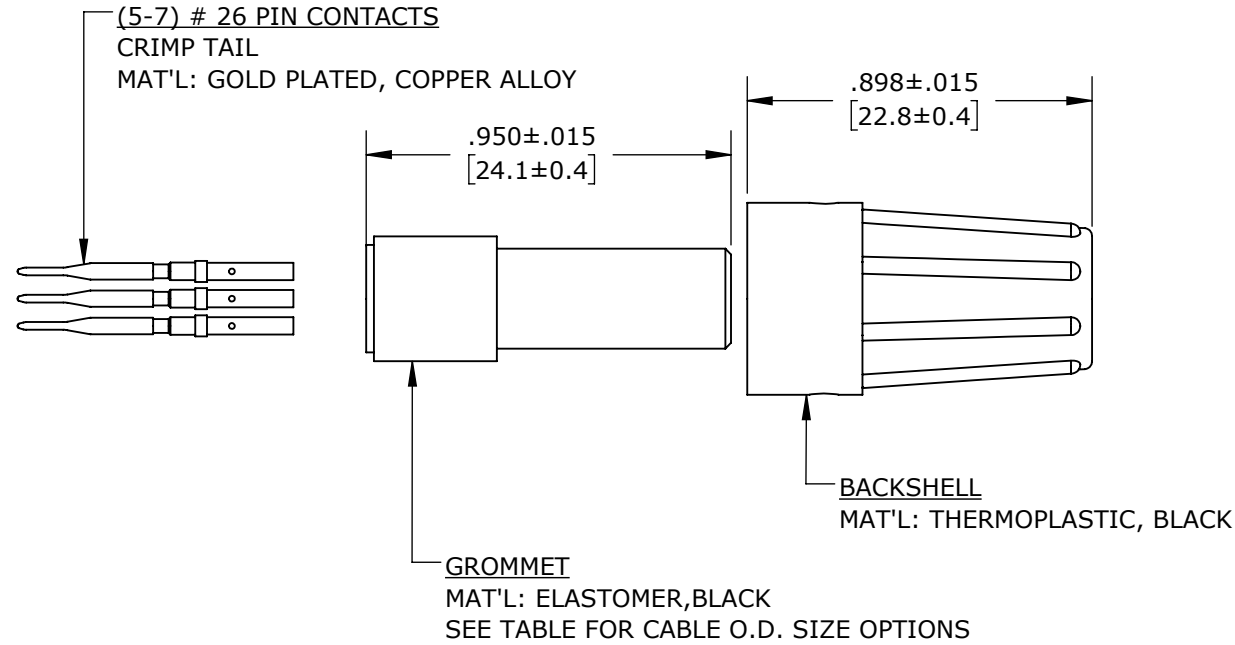
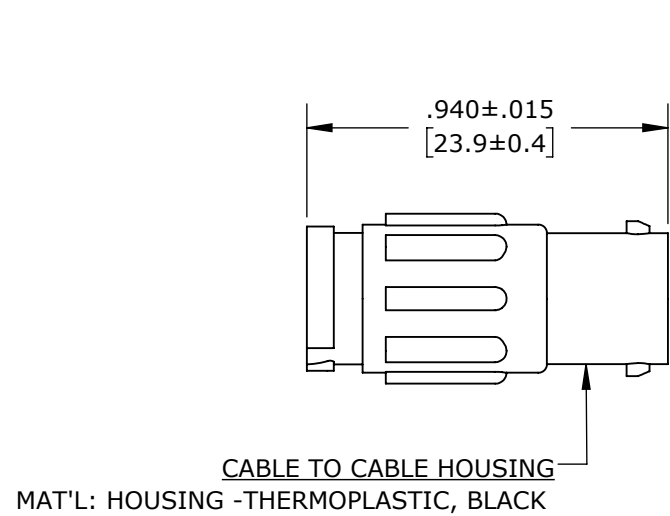
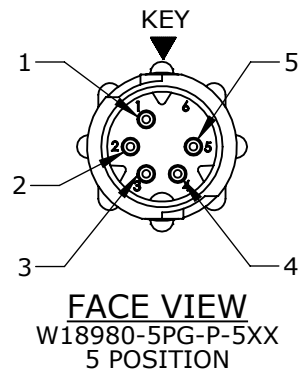
MFG. ENG. APPROVED BY: DATE: QA APPROVED BY: DATE:

ASS'Y P/N	CONTACT QTY.	CABLE O.D. RANGE
W18980-5PG-P-518	5	0.18 - 0.20 [4.6 - 5.1]
W18980-5PG-P-521	5	0.21 - 0.22 [5.3 - 5.6]
W18980-5PG-P-522	5	0.22 - 0.23 [5.6 - 5.8]
W18980-6PG-P-518	6	0.18 - 0.20 [4.6 - 5.1]
W18980-6PG-P-521	6	0.21 - 0.22 [5.3 - 5.6]
W18980-6PG-P-522	6	0.22 - 0.23 [5.6 - 5.8]
W18980-7PG-P-518	7	0.18 - 0.20 [4.6 - 5.1]
W18980-7PG-P-521	7	0.21 - 0.22 [5.3 - 5.6]
W18980-7PG-P-522	7	0.22 - 0.23 [5.6 - 5.8]
W18980-XPG-P-5XX		

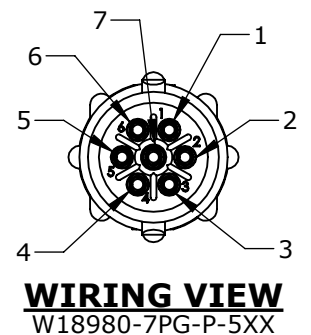
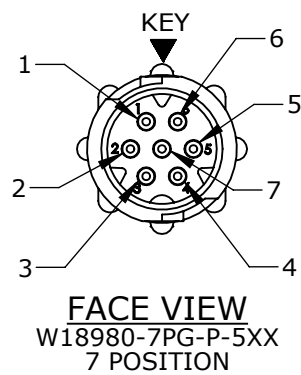
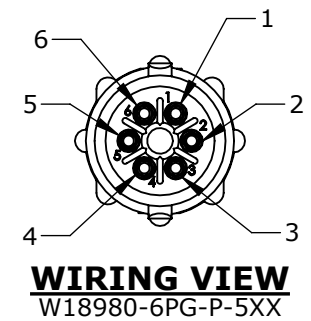
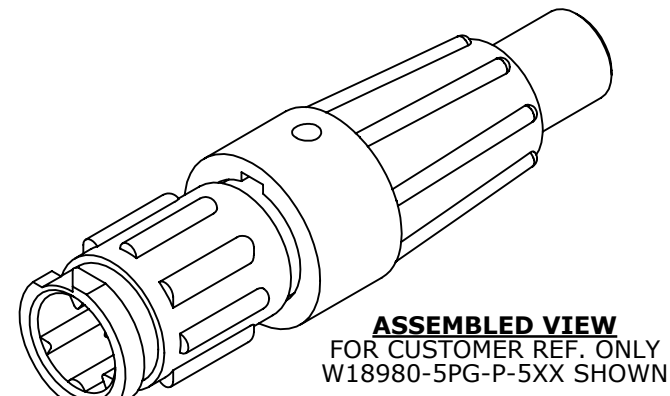
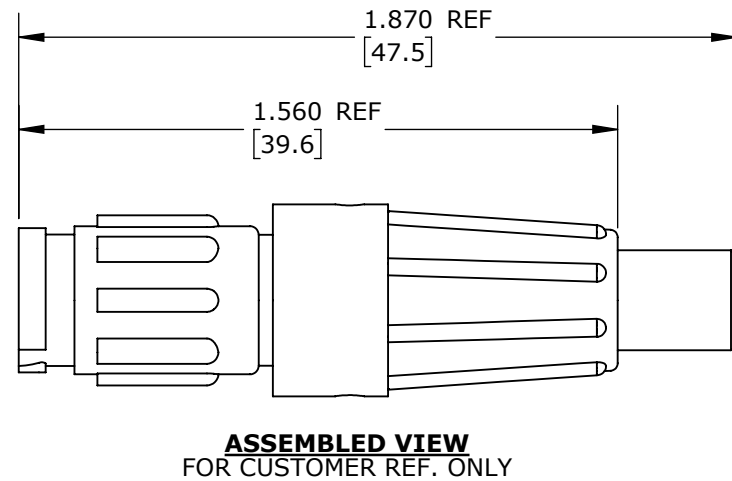
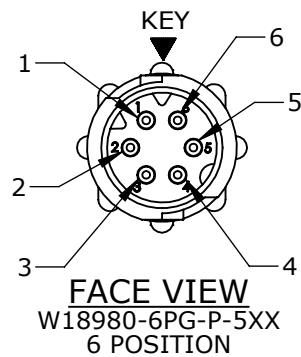
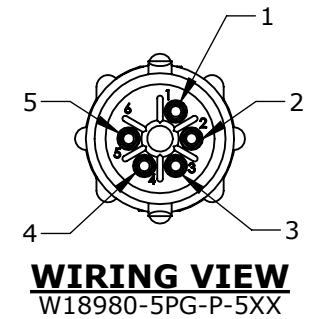
**NOTES:**

1. ALL PARTS ARE BULK PACKED.
2. REFER TO DRAWING HPMCSTD FOR CONTACT PATTERNS.
3. ALL DIMENSIONS ARE REFERENCE ONLY IN INCHES [mm], WITHIN ±0.015 UNLESS OTHERWISE NOTED.

CUSTOMER PRINT



# OF CONTACTS — GROMMET SIZE = CABLE O.D. RANGE:  
518 = 0.18 - 0.20 [4.6 - 5.1]  
521 = 0.21 - 0.22 [5.3 - 5.6]  
522 = 0.22 - 0.23 [5.6 - 5.8]



PART NUMBER: W18980-XPG-P-5XX

**CUSTOMER APPROVAL**

THIS DOCUMENT CONTAINS CONFIDENTIAL INFORMATION PROPRIETARY TO CONXALL CORPORATION. ANY REPRODUCTION, DISCLOSURE, OR USE OF THIS DOCUMENT /INFORMATION IS EXPRESSLY PROHIBITED UNLESS AUTHORIZED IN WRITING BY CONXALL CORPORATION.

APPROVED BY: \_\_\_\_\_  
DATE: \_\_\_\_\_

**RoHS COMPLIANT**

0A	JGK	8/28/19	DRAWING CREATED FOR PDR #18004.
REV.	INIT.	DATE	DESCRIPTION
	JGK	8/28/19	ALL INFORMATION ILLUSTRATED IS THE PROPERTY OF "CONXALL CORPORATION". UNAUTHORIZED DUPLICATION OR DISTRIBUTION OF THIS DOCUMENT IS PROHIBITED.
APPROVED BY:			 601 E. WILDWOOD VILLA PARK, IL 60181
SCALE	SIZE	SHEET	
NTS	B	1 OF 1	TITLE: CABLE TO CABLE CONN. ASS'Y (5-7) #26 PIN CONTACTS, CRIMP INSTA-CLICK, MICRO-CON-X STANDARD PRODUCT
FILE:	DIRECTORY:	PART NUMBER:	CUSTOMER:
W18980-XPG-P-5XX	SLW	W18980-XPG-P-5XX	
			REV 0A

**PRELIMINARY**

DIMENSIONS IS BRACKETS [ ] ARE METRIC

## X-ON Electronics

Largest Supplier of Electrical and Electronic Components

*Click to view similar products for [Standard Circular Connector](#) category:*

*Click to view products by [Switchcraft](#) manufacturer:*

Other Similar products are found below :

[5M2530B10P](#) [600259N006](#) [600273N007](#) [6134-336-13149](#) [6134-337-11149](#) [6134-337-2390](#) [6134-341-17149](#) [6280-4SG-516](#) [6280-7SG-3DC](#)  
[6290](#) [6291A](#) [66200A-10](#) [680-SMG](#) [681-PMG](#) [CXS3102A14S2P](#) [CXS3102A181S](#) [7251-5SG-300](#) [7271-6SG-300](#) [7282-3PG-300-CH3](#) [75-](#)  
[474618-01S](#) [75-474618-04P](#) [75-474618-04S](#) [799539-000](#) [MI8-SE](#) [805-005-07NF11-19PC](#) [805-005-07NF15-7PA](#) [8280-4PG-516](#) [8280-7PG-](#)  
[519](#) [8282-5PG-519](#) [836783-1](#) [MP-4102-25P-C](#) [862256-1](#) [864019-2](#) [866857-1](#) [867865-1](#) [PT01SP-14-18P](#) [PT08P-14-5S](#) [PTSF06SE-14-12S](#)  
[120-1833-000](#) [QCM019PC2DC012B](#) [1-2069279-1](#) [121583-0217](#) [121667-0020](#) [129591AU](#) [1000B BULK](#) [RD10A16-19-P6CS051/1](#)  
[RD10A20-31-P8CS051/1](#) [RD16A14-12-S6CS051/2](#) [1301240290](#) [1301240347](#) [1301860202](#)