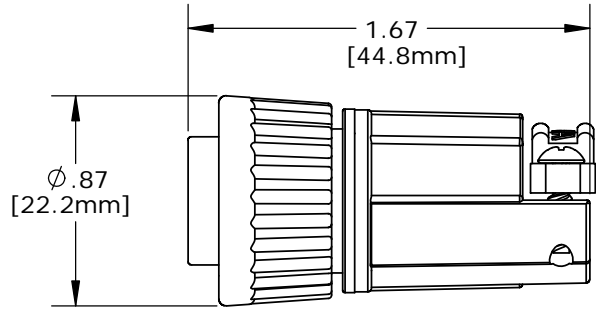


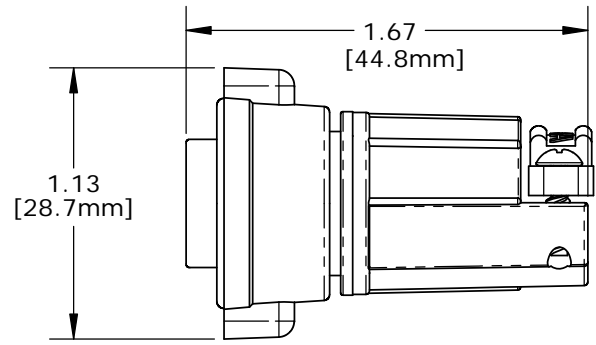
CUSTOMER PRINT

PART NUMBER: W3280-1XPG-5XX(W)

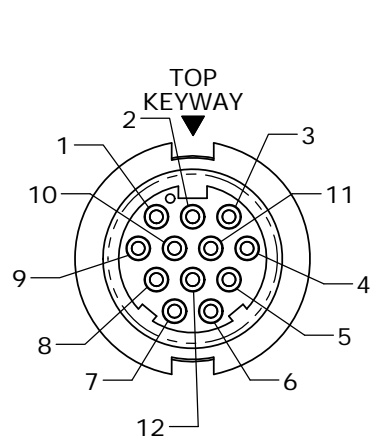
NOTES:
 1. PARTS TO BE BULK PACKED.
 2. ALL DIMENSIONS ARE REFERENCE ONLY.
 DIMENSIONS IN BRACKETS [] ARE METRIC.



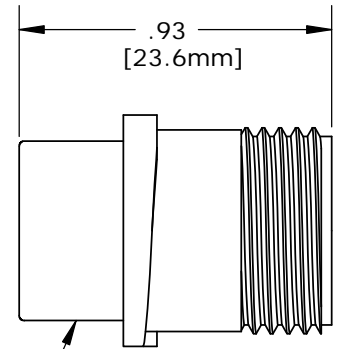
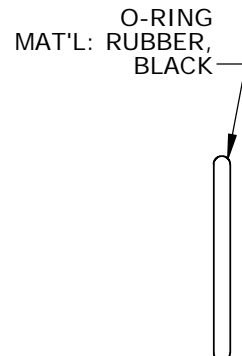
ASSEMBLED VIEW SHOWN WITH STANDARD COUPLING RING



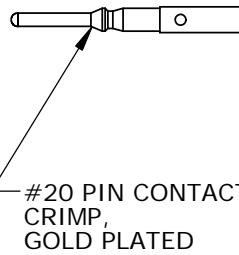
ASSEMBLED VIEW SHOWN WITH WINGED COUPLING RING



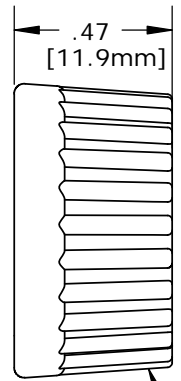
FACE VIEW
W3280-12PG-5XX(W)



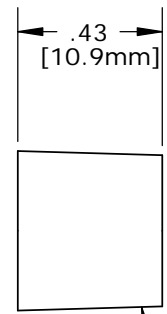
CABLE INSERT, MALE
MAT'L: UV THERMOPLASTIC,
BLACK



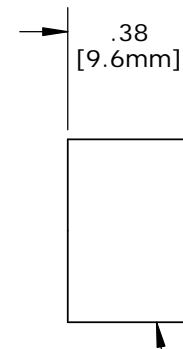
#20 PIN CONTACTS
CRIMP,
GOLD PLATED



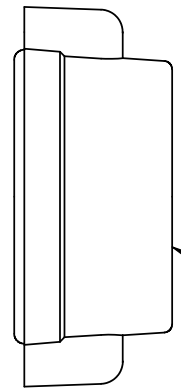
GROMMET,
MAT'L: RUBBER,
BLACK
FOR CABLE O.D.
SEE TABLE



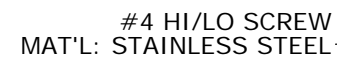
SLEEVE
MAT'L: THERMOPLASTIC,
BLACK



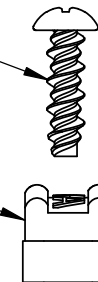
COUPLING RING
MAT'L: UV THERMOPLASTIC,
BLACK



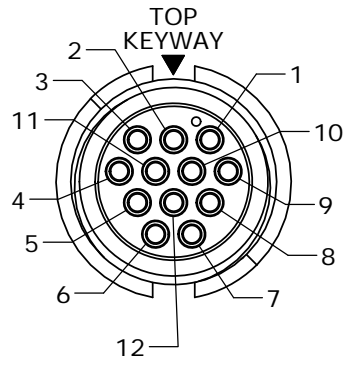
COUPLING RING, WINGED (OPTIONAL)
MAT'L: UV THERMOPLASTIC,
BLACK



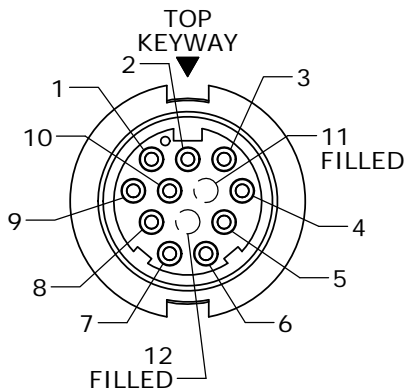
BACKSHELL STRAP
MAT'L: UV THERMOPLASTIC,
BLACK



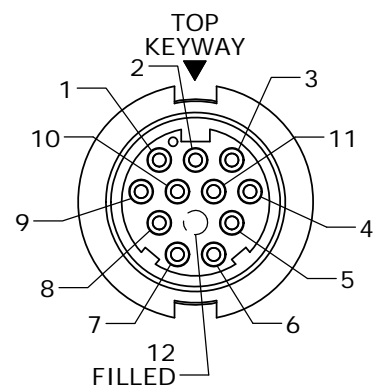
BACKSHELL
MAT'L: UV THERMOPLASTIC,
BLACK



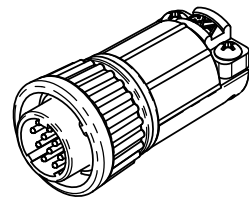
WIRE VIEW



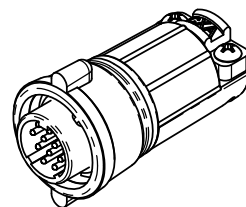
FACE VIEW
W3280-10PG-5XX(W)



FACE VIEW
W3280-11PG-5XX(W)



ASSEMBLED VIEW SHOWN WITH STANDARD COUPLING RING



ASSEMBLED VIEW SHOWN WITH WINGED COUPLING RING

KIT PART NO.	GROMMET SIZE TO FIT CABLE O.D.	DIA. "D"	KIT P/N	NO. OF CONTACTS
W3280-1XPG-518(W)	0.18 - 0.20 [4.6-5.1mm]	Ø0.77 [19.6mm]	W3280-10PG-5XX	(10) - #20
W3280-1XPG-521(W)	0.21 - 0.23 [5.3-5.8mm]	Ø0.77 [19.6mm]	W3280-11PG-5XX	(11) - #20
W3280-1XPG-524(W)	0.24 - 0.27 [6.1-6.8mm]	Ø0.77 [19.6mm]	W3280-12PG-5XX	(12) - #20
W3280-1XPG-528(W)	0.28 - 0.29 [7.1-7.4mm]	Ø0.77 [19.6mm]	W3280-10PG-5XXW	(10) - #20
W3280-1XPG-530(W)	0.30 - 0.32 [7.6-8.1mm]	Ø0.77 [19.6mm]	W3280-11PG-5XXW	(11) - #20
W3280-1XPG-535(W)	0.35 - 0.40 [8.9-10.2mm]	Ø0.83 [21.1mm]	W3280-12PG-5XXW	(12) - #20

(WING COUPLING RING OPTION)
 ADD W SUFFIX FOR WINGED COUPLING RING OPTION
 W3280-1XPG-5XX(W)

NO. OF CONTACTS

GROMMET SIZE SEE P/N LIST
 NO. OF CONTACTS

CONTACT INSERTION VIEW

.045 REF. [1.1mm]

.203±.016 [5.2±0.4mm]

CUSTOMER APPROVAL

THIS DOCUMENT CONTAINS CONFIDENTIAL INFORMATION PROPRIETARY TO CONXALL CORPORATION. ANY REPRODUCTION, DISCLOSURE, OR USE OF THIS DOCUMENT /INFORMATION IS EXPRESSLY PROHIBITED UNLESS AUTHORIZED IN WRITING BY CONXALL CORPORATION.

APPROVED BY: _____
 DATE: _____

A	PAK	08/15/19	DRAWING CREATED & RELEASED PER DOR 10-2523JS-1	
REV.	INIT.	DATE	DESCRIPTION	
	PAK	10/01/14	ORIG. DRAWN BY: DATE: 10/01/14	
ALL INFORMATION ILLUSTRATED IS THE PROPERTY OF "CONXALL CORPORATION". UNAUTHORIZED DUPLICATION OR DISTRIBUTION OF THIS DOCUMENT IS PROHIBITED.			CHECKED BY:	
ALL UNITS ARE IN FEET, INCHES, FRACTION OF INCHES AND DECIMALS.			APPROVED BY:	
UNLESS OTHERWISE SPECIFIED TOLERANCES: 3 PLACE DECIMALS ±.005 ANGLES ±1° FRACTIONS ±1/16			SCALE	SIZE
- CRITICAL CHARACTERISTIC FLAG PER SPEC. XXXX			NTS	B
FILE:	DIRECTORY:	PART NUMBER:	SHEET	REV
W3280-1XPG-5XX	SLW	W3280-1XPG-5XX(W)	1 OF 1	A



TITLE: CABLE CONNECTOR KIT
 #20 PIN CONTACTS (CRIMP), BACKSHELL CLAMP
 MULTI-CON-X, E-KEY, WEATHER RESISTANT
 STANDARD PRODUCT

X-ON Electronics

Largest Supplier of Electrical and Electronic Components

Click to view similar products for [Standard Circular Connector](#) category:

Click to view products by [Switchcraft](#) manufacturer:

Other Similar products are found below :

[5M2530B10P](#) [600259N006](#) [600273N007](#) [6134-336-13149](#) [6134-337-11149](#) [6134-337-2390](#) [6134-341-17149](#) [6280-4SG-516](#) [6280-7SG-3DC](#)
[6290](#) [6291A](#) [66200A-10](#) [680-SMG](#) [681-PMG](#) [CXS3102A14S2P](#) [CXS3102A181S](#) [7271-6SG-300](#) [7282-3PG-300-CH3](#) [75-474014-05S](#) [75-](#)
[474618-01S](#) [75-474618-04P](#) [75-474618-04S](#) [799539-000](#) [MI8-SE](#) [805-005-07NF11-19PC](#) [805-005-07NF15-7PA](#) [8280-4PG-516](#) [8280-7PG-](#)
[519](#) [8282-5PG-519](#) [836783-1](#) [MP-4102-25P-C](#) [862256-1](#) [864019-2](#) [866857-1](#) [867865-1](#) [PT01SP-14-18P](#) [PT08P-14-5S](#) [120-1833-000](#)
[QCM019PC2DC012B](#) [1-2069279-1](#) [121583-0217](#) [121667-0020](#) [129591AU](#) [1000B BULK](#) [RD10A16-19-P6CS051/1](#) [RD10A20-31-](#)
[P8CS051/1](#) [RD16A14-12-S6CS051/2](#) [1301240290](#) [1301240347](#) [1301860202](#) [1301240268](#)