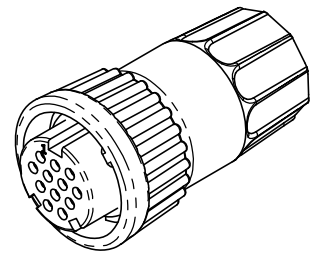


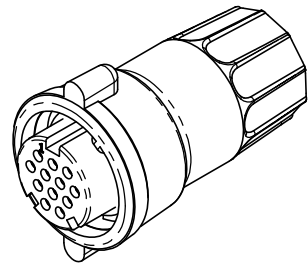
CUSTOMER PRINT

PART NUMBER: W3280-1XSG-3XX(W)

**NOTES:**  
 1. PARTS TO BE BULK PACKED.  
 2. ALL DIMENSIONS ARE REFERENCE ONLY EXCEPT WHERE NOTE WITH A TOLERANCE. DIMENSIONS IN BRACKET [ ] ARE METRIC.



ASSEMBLED VIEW SHOWN WITH STANDARD COUPLING RING



ASSEMBLED VIEW SHOWN WITH WINGED COUPLING RING

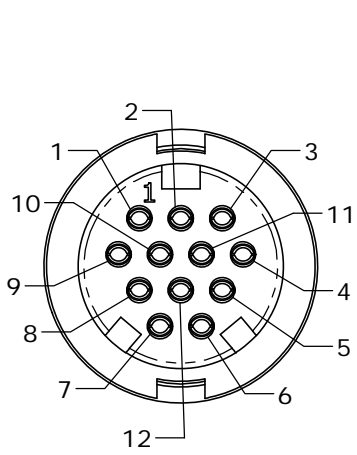
KIT PART NO.	GROMMET SIZE TO FIT CABLE O.D.	KIT P/N	NO/ OF CONTACTS
W3280-1XSG-318(W)	0.18 - 0.20 [4.6-5.1mm]	W3280-10SG-3XX	(10) - #20
W3280-1XSG-321(W)	0.21 - 0.23 [5.3-5.8mm]	W3280-11SG-3XX	(11) - #20
W3280-1XSG-324(W)	0.24 - 0.27 [6.1-6.8mm]	W3280-12SG-3XX	(12) - #20
W3280-1XSG-328(W)	0.28 - 0.29 [7.1-7.4mm]	W3280-10SG-3XX(W)	(10) - #20
W3280-1XSG-330(W)	0.30 - 0.32 [7.6-8.1mm]	W3280-11SG-3XX(W)	(11) - #20
W3280-1XSG-3DC(W)	0.12-0.17-0.24 [3.0-4.3-6.1mm]	W3280-12SG-3XX(W)	(12) - #20
		ADD W SUFFIX FOR WINGED COUPLING RING OPTION	
		W3280-1XSG-3XX(W)	

NO. OF CONTACTS

(WING COUPLING RING OPTION)

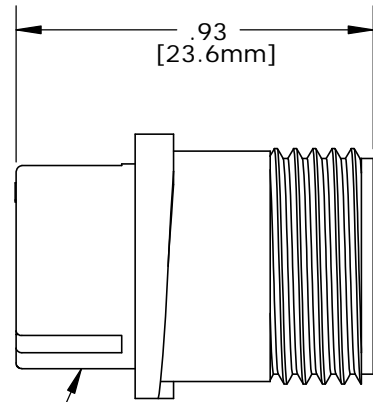
GROMMET SIZE SEE P/N LIST

NO. OF CONTACTS

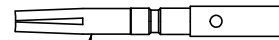


FACE VIEW  
W3280-12SG-3XX(W)

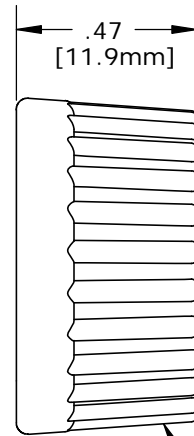
O-RING  
MAT'L: RUBBER, BLACK



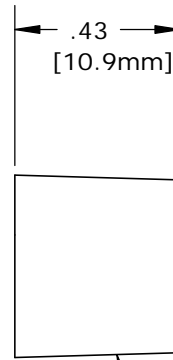
CABLE INSERT, FEMALE  
MAT'L: UV THERMOPLASTIC, BLACK



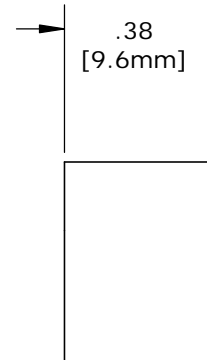
#20 SOCKET CONTACTS  
CRIMP, GOLD PLATED



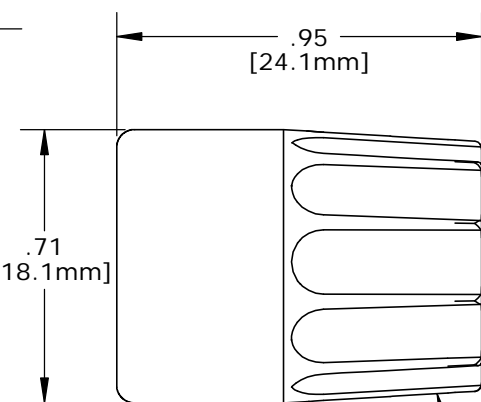
COUPLING RING  
MAT'L: UV THERMOPLASTIC, BLACK



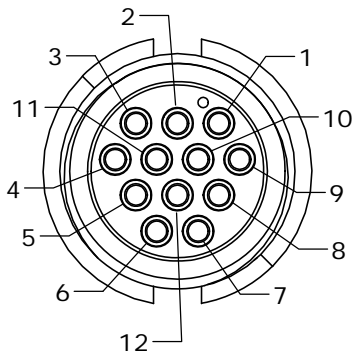
GROMMET, MAT'L: RUBBER, BLACK FOR CABLE O.D. SEE TABLE



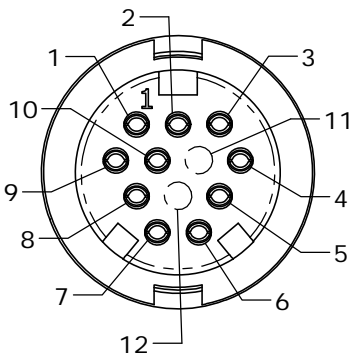
SLEEVE  
MAT'L: THERMOPLASTIC, BLACK



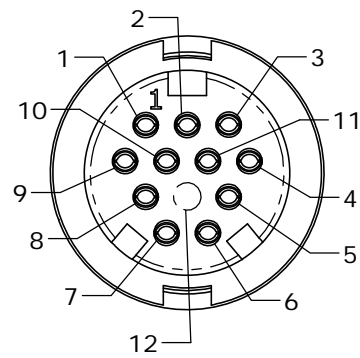
BACKSHELL  
MAT'L: UV THERMOPLASTIC, BLACK



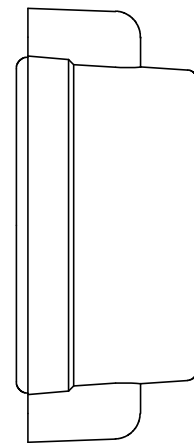
WIRE VIEW  
12-position



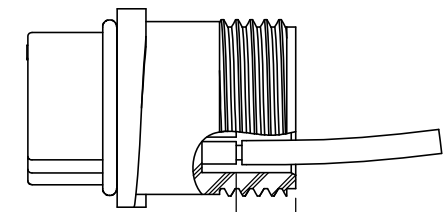
FACE VIEW  
W3280-10SG-3XX(W)



FACE VIEW  
W3280-11SG-3XX(W)

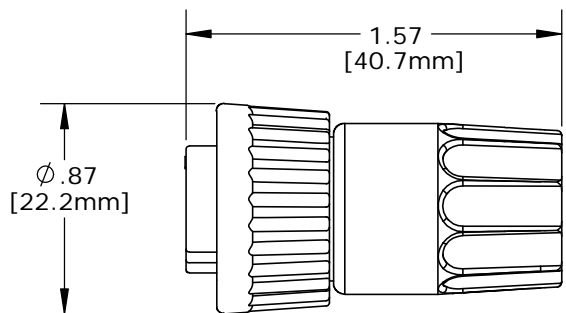


COUPLING RING, WINGED (OPTIONAL)  
MAT'L: UV THERMOPLASTIC, BLACK

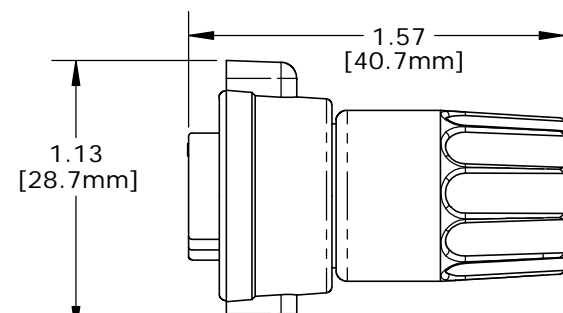


CONTACT INSERTION VIEW

.206 ± .015 [5.2 ± 0.4mm]



ASSEMBLED VIEW SHOWN WITH STANDARD COUPLING RING



ASSEMBLED VIEW SHOWN WITH STANDARD COUPLING RING

**CUSTOMER APPROVAL**

THIS DOCUMENT CONTAINS CONFIDENTIAL INFORMATION PROPRIETARY TO CONXALL CORPORATION. ANY REPRODUCTION, DISCLOSURE, OR USE OF THIS DOCUMENT / INFORMATION IS EXPRESSLY PROHIBITED UNLESS AUTHORIZED IN WRITING BY CONXALL CORPORATION.

APPROVED BY: \_\_\_\_\_  
 DATE: \_\_\_\_\_

A	PAK	08/15/19	DRAWING CREATED & RELEASED PER DOR 10-2523JS-1
REV.	INIT.	DATE	DESCRIPTION
	PAK	10/01/14	ALL INFORMATION ILLUSTRATED IS THE PROPERTY OF "CONXALL CORPORATION". UNAUTHORIZED DUPLICATION OR DISTRIBUTION OF THIS DOCUMENT IS PROHIBITED.
	CHECKED BY:		
	APPROVED BY:		
	SCALE	SIZE	SHEET
	NTS	B	1 OF 1
	FILE:	DIRECTORY:	PART NUMBER:
	W3280-1XSG-3XX	SLW	W3280-1XSG-3XX(W)



601 E. WILDWOOD VILLA PARK, IL 60181

TITLE: CABLE CONNECTOR KIT  
 #20 SOCKET CONTACTS (CRIMP)  
 MULTI-CON-X, E-KEY, WEATHER RESISTANT  
 CUSTOMER: STANDARD PRODUCT

REV A

## X-ON Electronics

Largest Supplier of Electrical and Electronic Components

*Click to view similar products for [Standard Circular Connector](#) category:*

*Click to view products by [Switchcraft](#) manufacturer:*

Other Similar products are found below :

[5M2530B10P](#) [600259N006](#) [600273N007](#) [6134-336-13149](#) [6134-337-11149](#) [6134-337-2390](#) [6134-341-17149](#) [6280-4SG-516](#) [6280-7SG-3DC](#)  
[6290](#) [6291A](#) [66200A-10](#) [680-SMG](#) [681-PMG](#) [CXS3102A14S2P](#) [CXS3102A181S](#) [7251-5SG-300](#) [7271-6SG-300](#) [7282-3PG-300-CH3](#) [75-](#)  
[474618-01S](#) [75-474618-04P](#) [75-474618-04S](#) [799539-000](#) [MI8-SE](#) [805-005-07NF11-19PC](#) [805-005-07NF15-7PA](#) [8280-4PG-516](#) [8280-7PG-](#)  
[519](#) [8282-5PG-519](#) [836783-1](#) [MP-4102-25P-C](#) [862256-1](#) [864019-2](#) [866857-1](#) [867865-1](#) [PT01SP-14-18P](#) [PT08P-14-5S](#) [PTSF06SE-14-12S](#)  
[120-1833-000](#) [QCM019PC2DC012B](#) [1-2069279-1](#) [121583-0217](#) [121667-0020](#) [129591AU](#) [1000B BULK](#) [RD10A16-19-P6CS051/1](#)  
[RD10A20-31-P8CS051/1](#) [RD16A14-12-S6CS051/2](#) [1301240290](#) [1301240347](#) [1301860202](#)