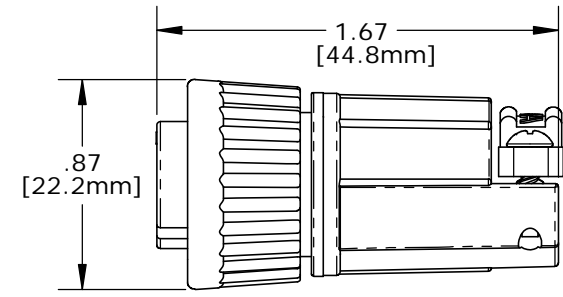


CUSTOMER PRINT

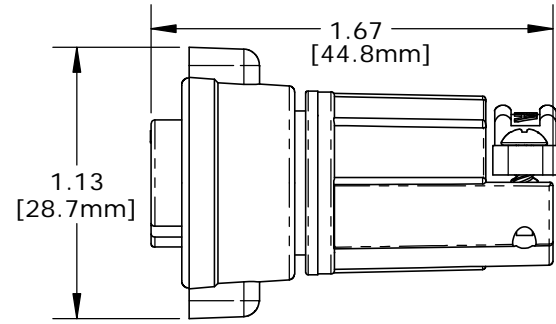
PART NUMBER: W3280-1XSG-5XX

NOTES:
 1. PARTS TO BE BULK PACKED.
 2. ALL DIMENSIONS ARE REFERENCE ONLY EXCEPT WHERE NOTED WITH TOLERANCE. DIMENSIONS IN BRACKET [] ARE METRIC.

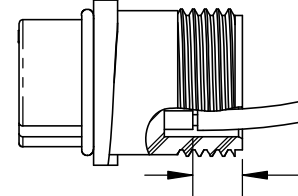
KIT PART NO.	GROMMET SIZE TO FIT CABLE O.D.	DIA. "D"	KIT P/N	NO/ OF CONTACTS
W3280-1XSG-518(W)	0.18 - 0.20 [4.6-5.1mm]	Ø0.77 [19.6mm]	W3280-10SG-5XX	(10) - #20
W3280-1XSG-521(W)	0.21 - 0.23 [5.3-5.8mm]	Ø0.77 [19.6mm]	W3280-11SG-5XX	(11) - #20
W3280-1XSG-524(W)	0.24 - 0.27 [6.1-6.8mm]	Ø0.77 [19.6mm]	W3280-12SG-5XX	(12) - #20
W3280-1XSG-528(W)	0.28 - 0.29 [7.1-7.4mm]	Ø0.77 [19.6mm]	W3280-10SG-5XXW	(10) - #20
W3280-1XSG-530(W)	0.30 - 0.32 [7.6-8.1mm]	Ø0.77 [19.6mm]	W3280-11SG-5XXW	(11) - #20
W3280-1XSG-535(W)	0.35 - 0.40 [8.9-10.2mm]	Ø0.83 [21.1mm]	W3280-12SG-5XXW	(12) - #20
			ADD W SUFFIX FOR WINGED COUPLING RING OPTION	
			W3280-1XSG-5XX(W)	



ASSEMBLED VIEW SHOWN WITH STANDARD COUPLING RING



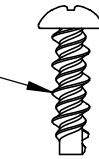
ASSEMBLED VIEW SHOWN WITH WING COUPLING RING



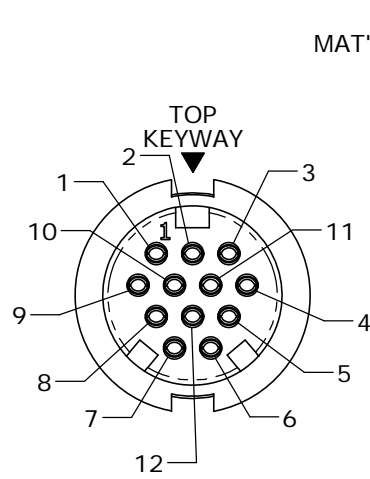
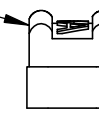
CONTACT INSERTION VIEW

.206±.015 [5.2±0.4mm]

#4 HI/LO SCREW
 MAT'L: STAINLESS STEEL

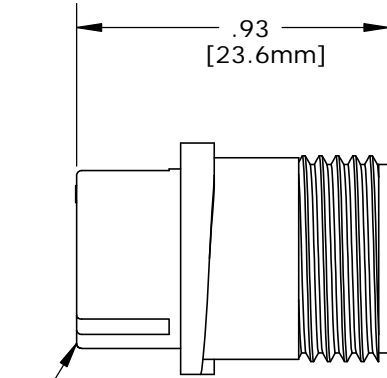


BACKSHELL STRAP
 MAT'L: UV THERMOPLASTIC, BLACK

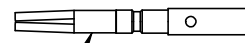


FACE VIEW
 W3280-12SG-5XX(W)

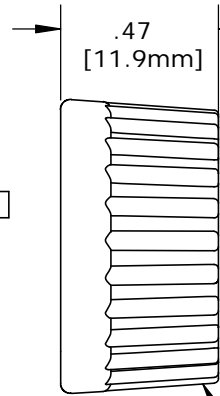
O-RING
 MAT'L: RUBBER, BLACK



CABLE INSERT, FEMALE
 MAT'L: UV THERMOPLASTIC, BLACK

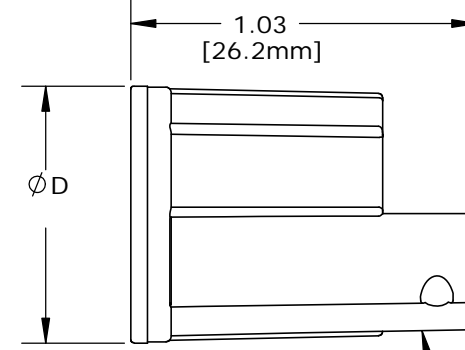


#20 SOCKET CONTACTS
 CRIMP, GOLD PLATED

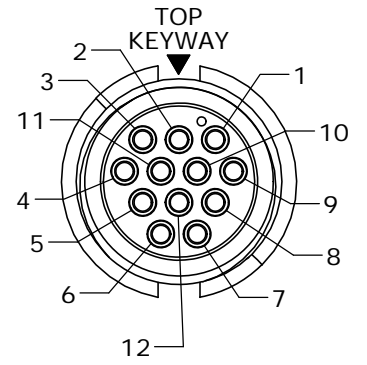


GROMMET, MAT'L: RUBBER, BLACK FOR CABLE O.D. SEE TABLE

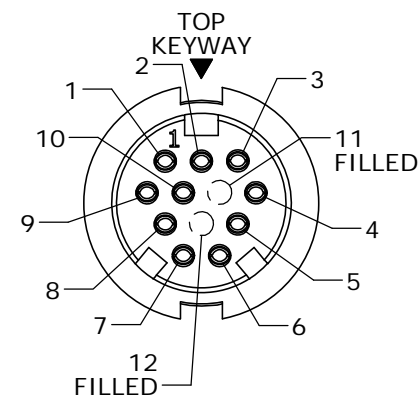
SLEEVE MAT'L: THERMOPLASTIC, BLACK



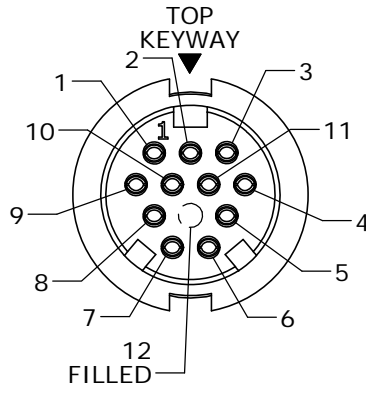
BACKSHELL MAT'L: UV THERMOPLASTIC, BLACK



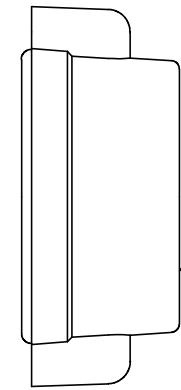
WIRE VIEW



FACE VIEW
 W3280-10SG-5XX(W)

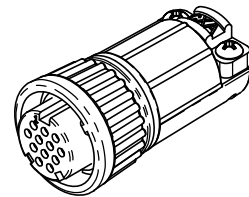


FACE VIEW
 W3280-11SG-5XX(W)

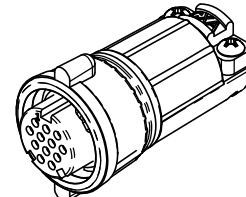


COUPLING RING MAT'L: UV THERMOPLASTIC, BLACK

COUPLING RING, WINGED (OPTIONAL)
 MAT'L: UV THERMOPLASTIC, BLACK



ASSEMBLED VIEW SHOWN WITH STANDARD COUPLING RING



ASSEMBLED VIEW SHOWN WITH WING COUPLING RING

CUSTOMER APPROVAL

THIS DOCUMENT CONTAINS CONFIDENTIAL INFORMATION PROPRIETARY TO CONXALL CORPORATION. ANY REPRODUCTION, DISCLOSURE, OR USE OF THIS DOCUMENT /INFORMATION IS EXPRESSLY PROHIBITED UNLESS AUTHORIZED IN WRITING BY CONXALL CORPORATION.

APPROVED BY: _____

DATE: _____

A	PAK	08/15/19	DRAWING CREATED AND RELEASED PER DOR 10-2523JS-1	
REV.	INIT.	DATE	DESCRIPTION	
	PAK	10/01/14	CABLE CONNECTOR KIT	
ALL INFORMATION ILLUSTRATED IS THE PROPERTY OF "CONXALL CORPORATION". UNAUTHORIZED DUPLICATION OR DISTRIBUTION OF THIS DOCUMENT IS PROHIBITED.				
ALL UNITS ARE IN FEET, INCHES, FRACTIONS OF INCHES AND DECIMALS.			601 E. WILDWOOD VILLA PARK, IL 60181	
UNLESS OTHERWISE SPECIFIED TOLERANCES: 3 PLACE DECIMALS ±.005 ANGLES ±1° FRACTIONS ±1/16			TITLE: CABLE CONNECTOR KIT	
- CRITICAL CHARACTERISTIC FLAG PER SPEC. XXXX			#20 SOCKET CONTACTS (CRIMP), BACKSHELL CLAMP MULTI-CON-X, E-KEY, WEATHER RESISTANT STANDARD PRODUCT	
FILE:	W3280-1XSG-5XX	DIRECTORY:	SLW	PART NUMBER: W3280-1XSG-5XX
SCALE:	NTS	SIZE:	B	SHEET: 1 OF 1
REV:	A			

X-ON Electronics

Largest Supplier of Electrical and Electronic Components

Click to view similar products for [Standard Circular Connector](#) category:

Click to view products by [Switchcraft](#) manufacturer:

Other Similar products are found below :

[5M2530B10P](#) [600259N006](#) [600273N007](#) [6134-336-13149](#) [6134-337-11149](#) [6134-337-2390](#) [6134-341-17149](#) [6280-4SG-516](#) [6280-7SG-3DC](#)
[6290](#) [6291A](#) [66200A-10](#) [680-SMG](#) [681-PMG](#) [CXS3102A14S2P](#) [CXS3102A181S](#) [7271-6SG-300](#) [7282-3PG-300-CH3](#) [75-474014-05S](#) [75-](#)
[474618-01S](#) [75-474618-04P](#) [75-474618-04S](#) [799539-000](#) [MI8-SE](#) [805-005-07NF11-19PC](#) [805-005-07NF15-7PA](#) [8280-4PG-516](#) [8280-7PG-](#)
[519](#) [8282-5PG-519](#) [836783-1](#) [MP-4102-25P-C](#) [862256-1](#) [864019-2](#) [866857-1](#) [867865-1](#) [PT01SP-14-18P](#) [PT08P-14-5S](#) [120-1833-000](#)
[QCM019PC2DC012B](#) [1-2069279-1](#) [121583-0217](#) [121667-0020](#) [129591AU](#) [1000B BULK](#) [RD10A16-19-P6CS051/1](#) [RD10A20-31-](#)
[P8CS051/1](#) [RD16A14-12-S6CS051/2](#) [1301240290](#) [1301240347](#) [1301860202](#) [1301240268](#)