

CUSTOMER PRINT

PART NUMBER: W3282-1XPG-5XX(W)

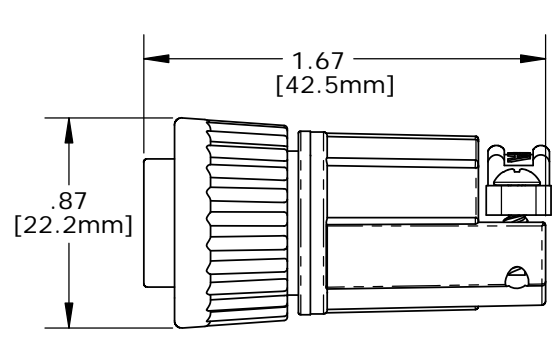
- NOTES:**
 1. PARTS TO BE BULK PACKED.
 2. SOLDER CONTACTS ARE PRESSED INTO CONNECTOR.
 ALL SOLDER CUPS ARE TO BE FACING TOP KEY.
 3. ALL DIMENSIONS ARE REFERENCE ONLY.
 DIMENSIONS IN BRACKET [] ARE METRIC.

KIT PART NO.	GROMMET SIZE TO FIT CABLE O.D.	DIA. "D"	KIT P/N	NO. OF CONTACTS
W3282-1XPG-518(W)	0.18 - 0.20 [4.6-5.1mm]	Ø0.77 [19.6mm]	W3282-10PG-5XX	(10) - #20
W3282-1XPG-521(W)	0.21 - 0.23 [5.3-5.8mm]	Ø0.77 [19.6mm]	W3282-11PG-5XX	(11) - #20
W3282-1XPG-524(W)	0.24 - 0.27 [6.1-6.8mm]	Ø0.77 [19.6mm]	W3282-12PG-5XX	(12) - #20
W3282-1XPG-528(W)	0.28 - 0.29 [7.1-7.4mm]	Ø0.77 [19.6mm]	W3282-10PG-5XXW	(10) - #20
W3282-1XPG-530(W)	0.30 - 0.32 [7.6-8.1mm]	Ø0.77 [19.6mm]	W3282-11PG-5XXW	(11) - #20
W3282-1XPG-535(W)	0.35 - 0.40 [8.9-10.2mm]	Ø0.83 [21.1mm]	W3282-12PG-5XXW	(12) - #20

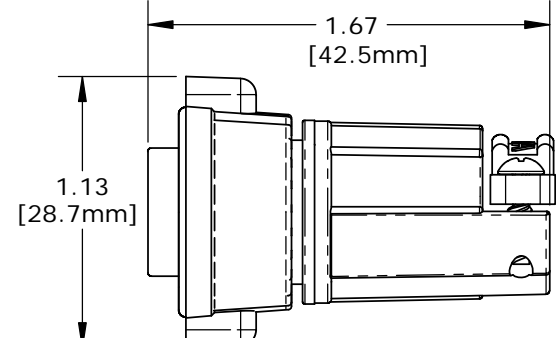
(WING COUPLING RING OPTION)
 NO. OF CONTACTS

ADD W SUFFIX FOR WINGED COUPLING RING OPTION
 W3282-1XPG-5XX(W)

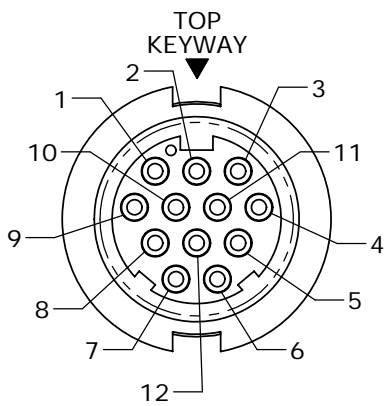
GROMMET SIZE SEE P/N LIST
 NO. OF CONTACTS



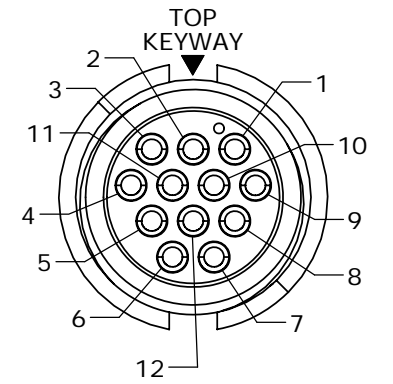
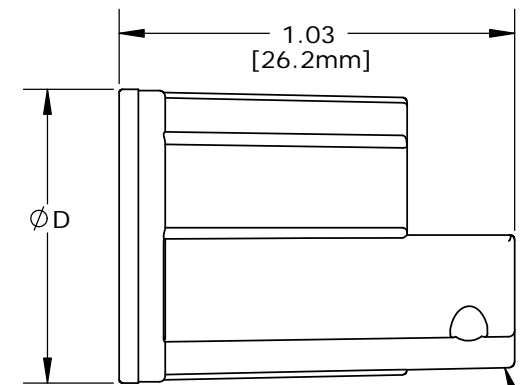
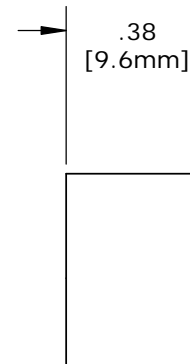
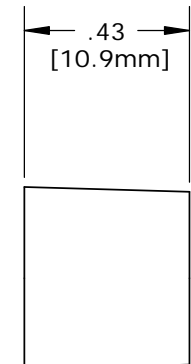
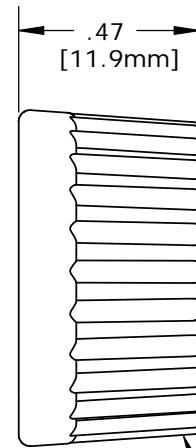
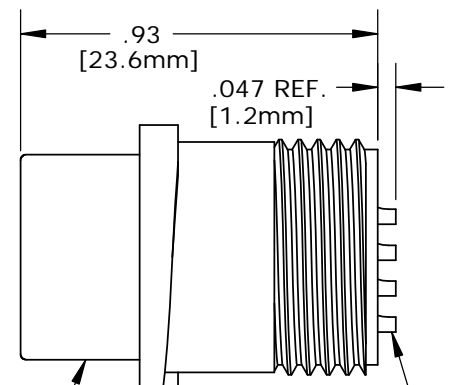
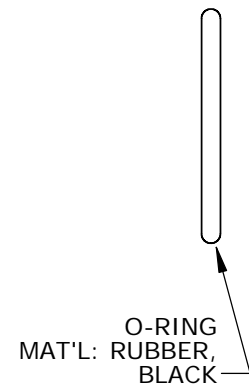
ASSEMBLED VIEW SHOWN WITH STANDARD COUPLING RING



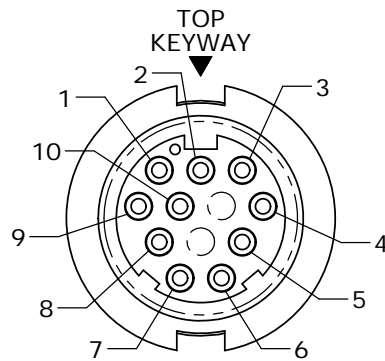
ASSEMBLED VIEW SHOWN WITH WING COUPLING RING



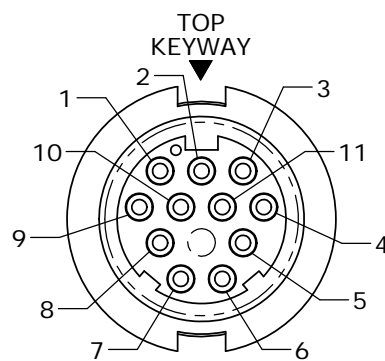
FACE VIEW W3282-12PG-5XX(W)



WIRE VIEW

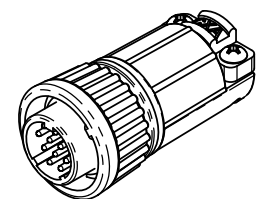
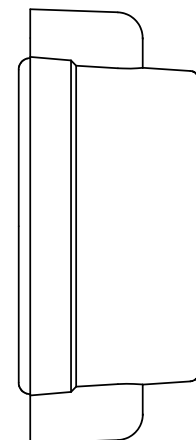


FACE VIEW W3282-10PG-5XX(W)

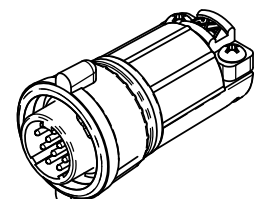


FACE VIEW W3282-11PG-5XX(W)

#20 PIN CONTACTS SOLDER CUP, GOLD PLATED SEE NOTE 2



ASSEMBLED VIEW SHOWN WITH STANDARD COUPLING RING



ASSEMBLED VIEW SHOWN WITH WING COUPLING RING

CUSTOMER APPROVAL

THIS DOCUMENT CONTAINS CONFIDENTIAL INFORMATION PROPRIETARY TO CONXALL CORPORATION. ANY REPRODUCTION, DISCLOSURE, OR USE OF THIS DOCUMENT /INFORMATION IS EXPRESSLY PROHIBITED UNLESS AUTHORIZED IN WRITING BY CONXALL CORPORATION.

APPROVED BY: _____
 DATE: _____

A	PAK	08/15/19	DRAWING CREATED & RELEASED PER DOR 10-2523JS-1	
REV.	INIT.	DATE	DESCRIPTION	
	PAK	10/01/14	ALL INFORMATION ILLUSTRATED IS THE PROPERTY OF "CONXALL CORPORATION". UNAUTHORIZED DUPLICATION OR DISTRIBUTION OF THIS DOCUMENT IS PROHIBITED.	
	CHECKED BY:		 601 E. WILDWOOD VILLA PARK, IL 60181	
	APPROVED BY:			
	SCALE	SIZE	SHEET	TITLE
	NTS	B	1 OF 1	#20 PIN CONTACTS (SOLDER), BACKSHELL CLAMP MULTI-CON-X, E-KEY, WEATHER RESISTANT STANDARD PRODUCT
	FILE:	DIRECTORY:	PART NUMBER:	REV
	W3282-1XPG-5XX	SLW	W3282-1XPG-5XX(W)	A

X-ON Electronics

Largest Supplier of Electrical and Electronic Components

Click to view similar products for [Standard Circular Connector](#) category:

Click to view products by [Switchcraft](#) manufacturer:

Other Similar products are found below :

[5M2530B10P](#) [600259N006](#) [600273N007](#) [6134-336-13149](#) [6134-337-11149](#) [6134-337-2390](#) [6134-341-17149](#) [6280-4SG-516](#) [6280-7SG-3DC](#)
[6290](#) [6291A](#) [66200A-10](#) [680-SMG](#) [681-PMG](#) [CXS3102A14S2P](#) [CXS3102A181S](#) [7251-5SG-300](#) [7271-6SG-300](#) [7282-3PG-300-CH3](#) [75-](#)
[474618-01S](#) [75-474618-04P](#) [75-474618-04S](#) [799539-000](#) [MI8-SE](#) [805-005-07NF11-19PC](#) [805-005-07NF15-7PA](#) [8280-4PG-516](#) [8280-7PG-](#)
[519](#) [8282-5PG-519](#) [836783-1](#) [MP-4102-25P-C](#) [862256-1](#) [864019-2](#) [866857-1](#) [867865-1](#) [PT01SP-14-18P](#) [PT08P-14-5S](#) [PTSF06SE-14-12S](#)
[120-1833-000](#) [QCM019PC2DC012B](#) [1-2069279-1](#) [121583-0217](#) [121667-0020](#) [129591AU](#) [1000B BULK](#) [RD10A16-19-P6CS051/1](#)
[RD10A20-31-P8CS051/1](#) [RD16A14-12-S6CS051/2](#) [1301240290](#) [1301240347](#) [1301860202](#)