

CUSTOMER PRINT

PART NUMBER: W3282-1XPG-5XX(W)

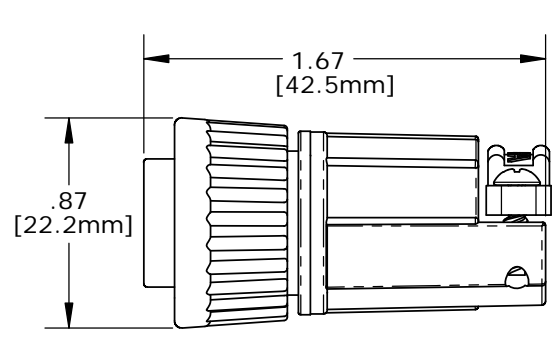
- NOTES:**
 1. PARTS TO BE BULK PACKED.
 2. SOLDER CONTACTS ARE PRESSED INTO CONNECTOR.
 ALL SOLDER CUPS ARE TO BE FACING TOP KEY.
 3. ALL DIMENSIONS ARE REFERENCE ONLY.
 DIMENSIONS IN BRACKET [] ARE METRIC.

KIT PART NO.	GROMMET SIZE TO FIT CABLE O.D.	DIA. "D"	KIT P/N	NO. OF CONTACTS
W3282-1XPG-518(W)	0.18 - 0.20 [4.6-5.1mm]	Ø0.77 [19.6mm]	W3282-10PG-5XX	(10) - #20
W3282-1XPG-521(W)	0.21 - 0.23 [5.3-5.8mm]	Ø0.77 [19.6mm]	W3282-11PG-5XX	(11) - #20
W3282-1XPG-524(W)	0.24 - 0.27 [6.1-6.8mm]	Ø0.77 [19.6mm]	W3282-12PG-5XX	(12) - #20
W3282-1XPG-528(W)	0.28 - 0.29 [7.1-7.4mm]	Ø0.77 [19.6mm]	W3282-10PG-5XXW	(10) - #20
W3282-1XPG-530(W)	0.30 - 0.32 [7.6-8.1mm]	Ø0.77 [19.6mm]	W3282-11PG-5XXW	(11) - #20
W3282-1XPG-535(W)	0.35 - 0.40 [8.9-10.2mm]	Ø0.83 [21.1mm]	W3282-12PG-5XXW	(12) - #20

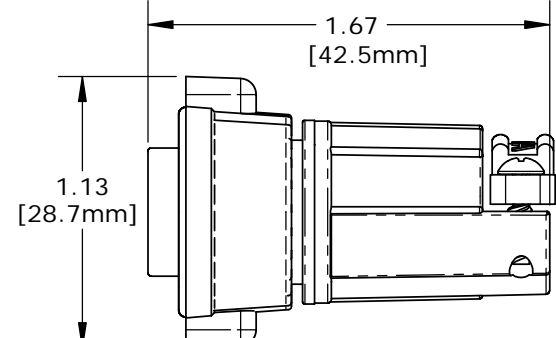
(WING COUPLING RING OPTION)
 NO. OF CONTACTS

ADD W SUFFIX FOR WINGED COUPLING RING OPTION
 W3282-1XPG-5XX(W)

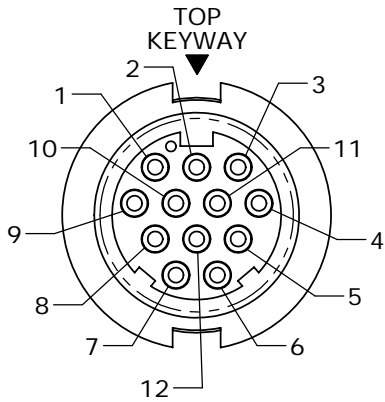
GROMMET SIZE SEE P/N LIST
 NO. OF CONTACTS



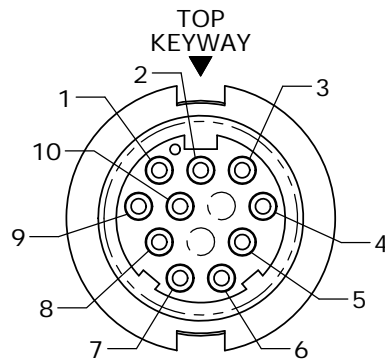
ASSEMBLED VIEW SHOWN WITH STANDARD COUPLING RING



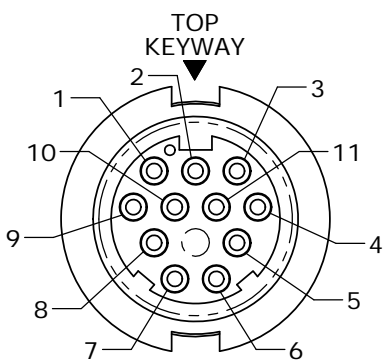
ASSEMBLED VIEW SHOWN WITH WING COUPLING RING



FACE VIEW
W3282-12PG-5XX(W)



FACE VIEW
W3282-10PG-5XX(W)

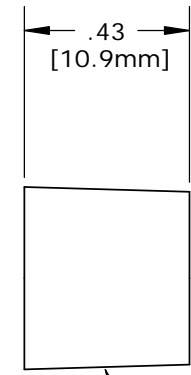
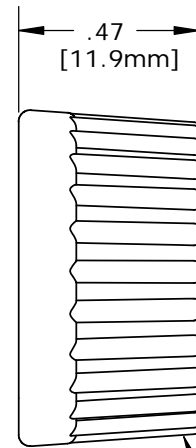


FACE VIEW
W3282-11PG-5XX(W)

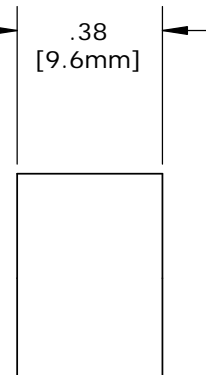
O-RING
MAT'L: RUBBER, BLACK

CABLE INSERT, MALE
MAT'L: UV THERMOPLASTIC, BLACK

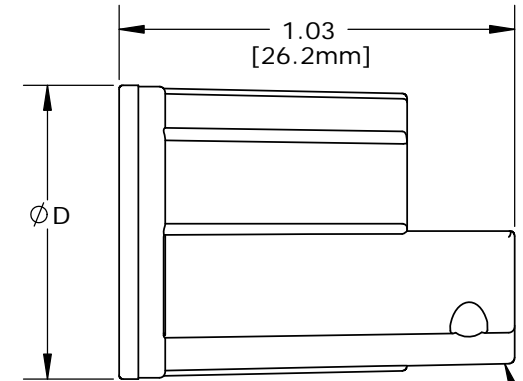
#20 PIN CONTACTS
SOLDER CUP,
GOLD PLATED
SEE NOTE 2



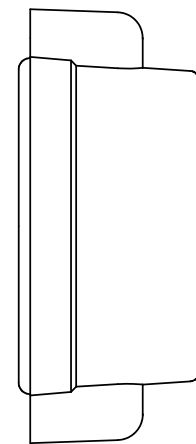
GROMMET,
MAT'L: RUBBER,
BLACK
FOR CABLE O.D.
SEE TABLE



SLEEVE
MAT'L: THERMOPLASTIC,
BLACK



BACKSHELL
MAT'L: UV THERMOPLASTIC,
BLACK

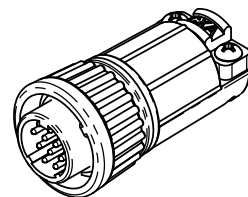
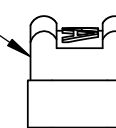
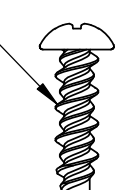


COUPLING RING
MAT'L: UV THERMOPLASTIC,
BLACK

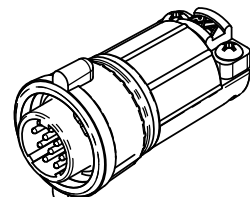
COUPLING RING, WINGED (OPTION)
MAT'L: UV THERMOPLASTIC,
BLACK

#4 HI/LO SCREW
MAT'L: STAINLESS STEEL

BACKSHELL STRAP
MAT'L: UV THERMOPLASTIC,
BLACK



ASSEMBLED VIEW SHOWN WITH STANDARD COUPLING RING



ASSEMBLED VIEW SHOWN WITH WING COUPLING RING

CUSTOMER APPROVAL

THIS DOCUMENT CONTAINS CONFIDENTIAL INFORMATION PROPRIETARY TO CONXALL CORPORATION. ANY REPRODUCTION, DISCLOSURE, OR USE OF THIS DOCUMENT /INFORMATION IS EXPRESSLY PROHIBITED UNLESS AUTHORIZED IN WRITING BY CONXALL CORPORATION.

APPROVED BY: _____

DATE: _____

A	PAK	08/15/19	DRAWING CREATED & RELEASED PER DOR 10-2523JS-1	
REV.	INIT.	DATE	DESCRIPTION	
	PAK	10/01/14	ORIGINAL DRAWN BY: DATE: 10/01/14	
ALL INFORMATION ILLUSTRATED IS THE PROPERTY OF CONXALL CORPORATION. UNAUTHORIZED DUPLICATION OR DISTRIBUTION OF THIS DOCUMENT IS PROHIBITED.				
ALL UNITS ARE IN FEET, INCHES, FRACTION OF INCHES AND DECIMALS.			TITLE: CABLE CONNECTOR KIT #20 PIN CONTACTS (SOLDER), BACKSHELL CLAMP MULTI-CON-X, E-KEY, WEATHER RESISTANT STANDARD PRODUCT CUSTOMER:	
UNLESS OTHERWISE SPECIFIED TOLERANCES: 3 PLACE DECIMALS ±.005 ANGLES ±1° FRACTIONS ±1/16			APPROVED BY:	SHEET 1 OF 1 SCALE NTS B
△ - CRITICAL CHARACTERISTIC FLAG PER SPEC. XXXX			FILE: W3282-1XPG-5XX	DIRECTORY: SLW PART NUMBER: W3282-1XPG-5XX(W) REV A

X-ON Electronics

Largest Supplier of Electrical and Electronic Components

Click to view similar products for [Standard Circular Connector](#) category:

Click to view products by [Switchcraft](#) manufacturer:

Other Similar products are found below :

[5M2530B10P](#) [600259N006](#) [600273N007](#) [6134-336-13149](#) [6134-337-11149](#) [6134-337-2390](#) [6134-341-17149](#) [6280-4SG-516](#) [6280-7SG-3DC](#)
[6290](#) [6291A](#) [66200A-10](#) [680-SMG](#) [681-PMG](#) [CXS3102A14S2P](#) [CXS3102A181S](#) [7271-6SG-300](#) [7282-3PG-300-CH3](#) [75-474618-01S](#) [75-](#)
[474618-04P](#) [75-474618-04S](#) [799539-000](#) [MI8-SE](#) [805-005-07NF11-19PC](#) [805-005-07NF15-7PA](#) [8280-4PG-516](#) [8280-7PG-519](#) [8282-5PG-](#)
[519](#) [836783-1](#) [MP-4102-25P-C](#) [862256-1](#) [864019-2](#) [866857-1](#) [867865-1](#) [PT01SP-14-18P](#) [PT08P-14-5S](#) [120-1833-000](#)
[QCM019PC2DC012B](#) [1-2069279-1](#) [121583-0217](#) [121667-0020](#) [129591AU](#) [1000B BULK](#) [RD10A16-19-P6CS051/1](#) [RD10A20-31-](#)
[P8CS051/1](#) [RD16A14-12-S6CS051/2](#) [1301240290](#) [1301240347](#) [1301860202](#) [1301240268](#) [1301240275](#)