

CUSTOMER PRINT

PART NUMBER: W3282-1XSG-5XX(W)

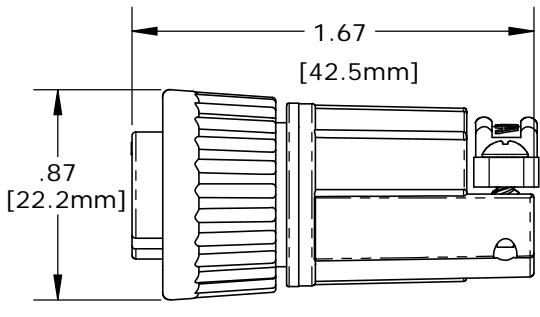
- NOTES:**
 1. PARTS TO BE BULK PACKED.
 2. SOLDER CONTACTS ARE PRESSED INTO CONNECTOR.
 ALL SOLDER CUPS ARE TO BE FACING TOP KEY.
 3. ALL DIMENSIONS ARE REFERENCE ONLY
 DIMENSIONS IN BRACKETS [] ARE METRIC.

KIT PART NO.	GROMMET SIZE TO FIT CABLE O.D.	DIA. "D"
W3282-1XSG-518(W)	0.18 - 0.20 [4.6-5.1mm]	Ø0.77 [19.6mm]
W3282-1XSG-521(W)	0.21 - 0.23 [5.3-5.8mm]	Ø0.77 [19.6mm]
W3282-1XSG-524(W)	0.24 - 0.27 [6.1-6.8mm]	Ø0.77 [19.6mm]
W3282-1XSG-528(W)	0.28 - 0.29 [7.1-7.4mm]	Ø0.77 [19.6mm]
W3282-1XSG-530(W)	0.30 - 0.32 [7.6-8.1mm]	Ø0.77 [19.6mm]
W3282-1XSG-535(W)	0.35 - 0.40 [8.9-10.2mm]	Ø0.83 [21.1mm]

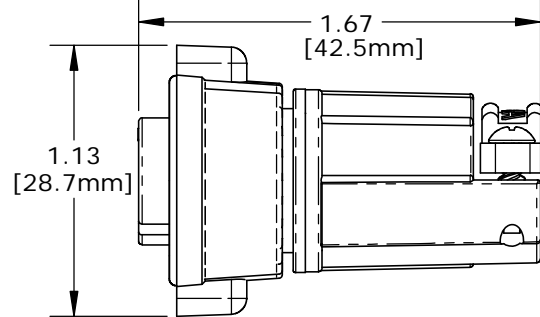
KIT P/N	NO. OF CONTACTS
W3282-10SG-5XX	(10) - #20
W3282-11SG-5XX	(11) - #20
W3282-12SG-5XX	(12) - #20
W3282-10SG-5XXW	(10) - #20
W3282-11SG-5XXW	(11) - #20
W3282-12SG-5XXW	(12) - #20
ADD W SUFFIX FOR WINGED COUPLING RING OPTION	
W3282-1XSG-5XX(W)	

(WINGED COUPLING RING OPTION)
 NO. OF CONTACTS

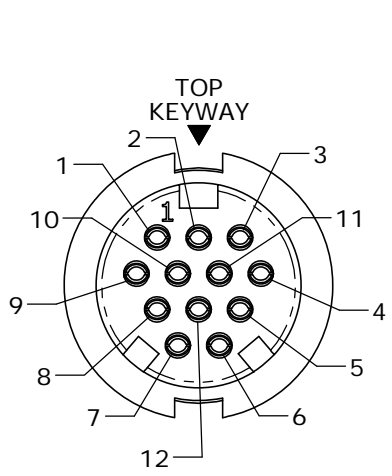
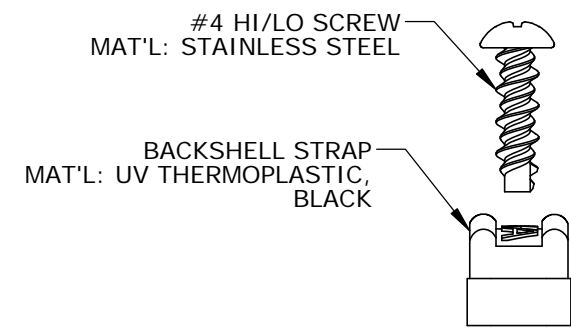
GROMMET SIZE SEE P/N LIST
 NO. OF CONTACTS



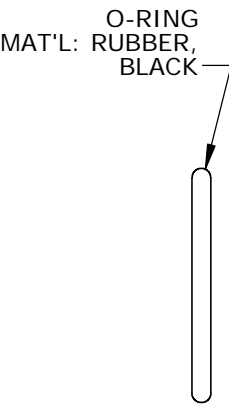
ASSEMBLED VIEW SHOWN WITH STANDARD COUPLING RING



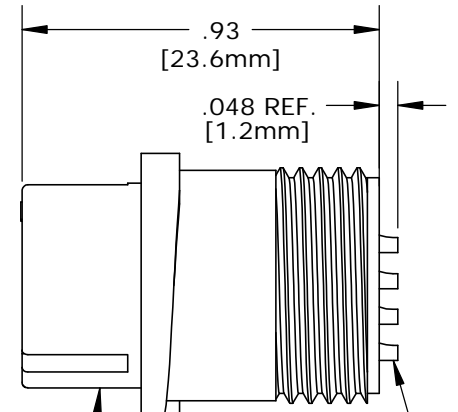
ASSEMBLED VIEW SHOWN WITH WINGED COUPLING RING



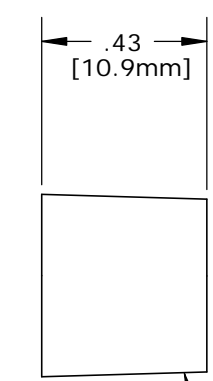
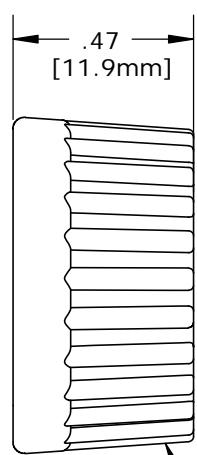
FACE VIEW W3282-12SG-5XX(W)



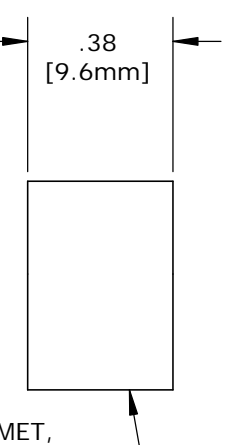
CABLE INSERT, FEMALE MAT'L: UV THERMOPLASTIC, BLACK



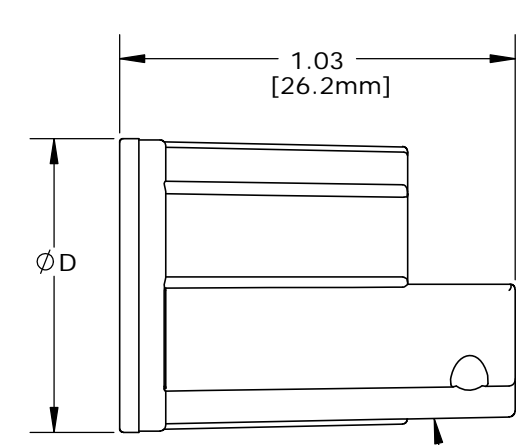
#20 SOCKET CONTACTS SOLDER CUP, GOLD PLATED SEE NOTE 2



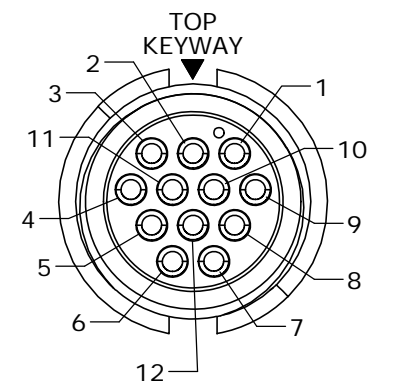
GROMMET, MAT'L: RUBBER, BLACK FOR CABLE O.D. SEE TABLE



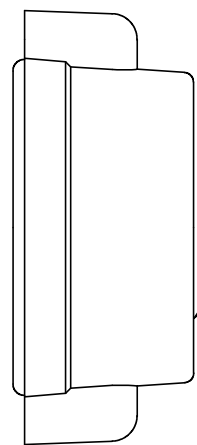
SLEEVE MAT'L: THERMOPLASTIC, BLACK



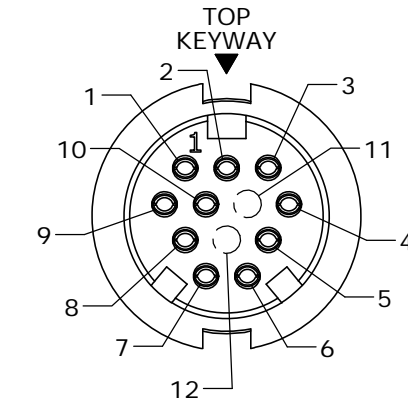
BACKSHELL MAT'L: UV THERMOPLASTIC, BLACK



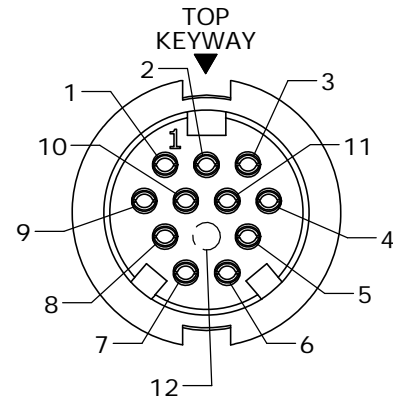
WIRE VIEW



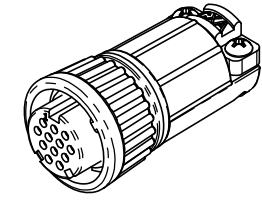
COUPLING RING, WINGED (OPTIONAL) MAT'L: UV THERMOPLASTIC, BLACK



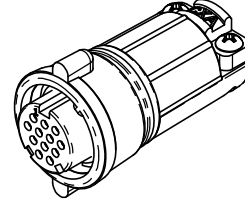
FACE VIEW W3282-10SG-5XX(W)



FACE VIEW W3282-11SG-5XX(W)



ASSEMBLED VIEW SHOWN WITH STANDARD COUPLING RING



ASSEMBLED VIEW SHOWN WITH WINGED COUPLING RING

CUSTOMER APPROVAL

THIS DOCUMENT CONTAINS CONFIDENTIAL INFORMATION PROPRIETARY TO CONXALL CORPORATION. ANY REPRODUCTION, DISCLOSURE, OR USE OF THIS DOCUMENT /INFORMATION IS EXPRESSLY PROHIBITED UNLESS AUTHORIZED IN WRITING BY CONXALL CORPORATION.

APPROVED BY: _____
 DATE: _____

A	PAK	08/15/19	DRAWING CREATED & RELEASED PER DOR 10-2523JS-1
REV.	INIT.	DATE	DESCRIPTION
	PAK	10/01/14	ORIG. DRAWN BY: DATE: 10/01/14
ALL INFORMATION ILLUSTRATED IS THE PROPERTY OF "CONXALL CORPORATION". UNAUTHORIZED DUPLICATION OR DISTRIBUTION OF THIS DOCUMENT IS PROHIBITED.			<p>601 E. WILDWOOD VILLA PARK, IL 60181</p>
ALL UNITS ARE IN FEET, INCHES, FRACTION OF INCHES AND DECIMALS. UNLESS OTHERWISE SPECIFIED TOLERANCES: 3 PLACE DECIMALS ± .005 ANGLES ± 1° FRACTIONS ± 1/16			
APPROVED BY:		SCALE	TITLE
		NTS	#20 SOCKET CONTACTS (SOLDER), BACKSHELL CLAMP MULTI-CON-X, E-KEY, WEATHER RESISTANT STANDARD PRODUCT
FILE:	DIRECTORY:	SHEET	CUSTOMER:
W3282-1XSG-5XX	SLW	1 OF 1	STANDARD PRODUCT
PART NUMBER: W3282-1XSG-5XX(W)		REV	A

X-ON Electronics

Largest Supplier of Electrical and Electronic Components

Click to view similar products for [Standard Circular Connector](#) category:

Click to view products by [Switchcraft](#) manufacturer:

Other Similar products are found below :

[5M2530B10P](#) [600259N006](#) [600273N007](#) [6134-336-13149](#) [6134-337-11149](#) [6134-337-2390](#) [6134-341-17149](#) [6280-4SG-516](#) [6280-7SG-3DC](#)
[6290](#) [6291A](#) [66200A-10](#) [680-SMG](#) [681-PMG](#) [CXS3102A14S2P](#) [CXS3102A181S](#) [7251-5SG-300](#) [7271-6SG-300](#) [7282-3PG-300-CH3](#) [75-](#)
[474618-01S](#) [75-474618-04P](#) [75-474618-04S](#) [799539-000](#) [MI8-SE](#) [805-005-07NF11-19PC](#) [805-005-07NF15-7PA](#) [8280-4PG-516](#) [8280-7PG-](#)
[519](#) [8282-5PG-519](#) [836783-1](#) [MP-4102-25P-C](#) [862256-1](#) [864019-2](#) [866857-1](#) [867865-1](#) [PT01SP-14-18P](#) [PT08P-14-5S](#) [PTSF06SE-14-12S](#)
[120-1833-000](#) [QCM019PC2DC012B](#) [1-2069279-1](#) [121583-0217](#) [121667-0020](#) [129591AU](#) [1000B BULK](#) [RD10A16-19-P6CS051/1](#)
[RD10A20-31-P8CS051/1](#) [RD16A14-12-S6CS051/2](#) [1301240290](#) [1301240347](#) [1301860202](#)