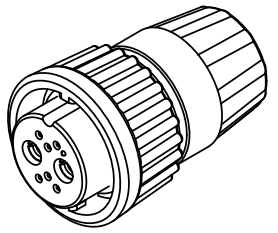


CUSTOMER PRINT

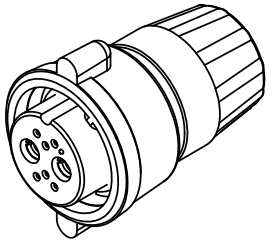
PART NUMBER: W3B80-8SG-3XX

- NOTES:  
 1. PARTS TO BE BULK PACKED.  
 2. CONTACTS ARE SUPPLIED LOOSE.  
 3. ALL DIMENSIONS ARE FOR REFERENCE ONLY EXCEPT WHERE NOTED WITH TOLERANCE.

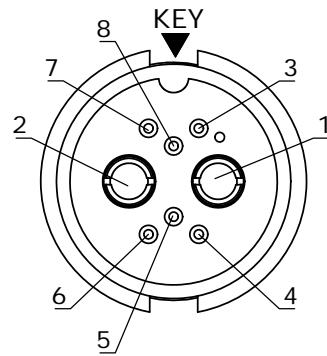
ASSY P/N	COUPLING RING P/N	CABLE O.D.
W3B80-8SG-335	4282V4	.350-.370 IN. [8.9-9.4mm]
W3B80-8SG-335W	4482V4	.350-.370 IN. [8.9-9.4mm]



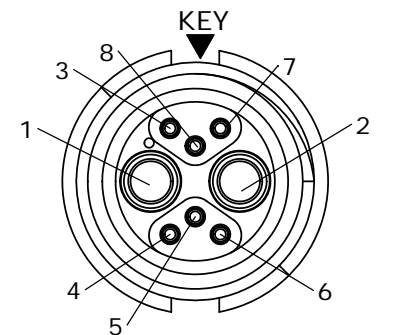
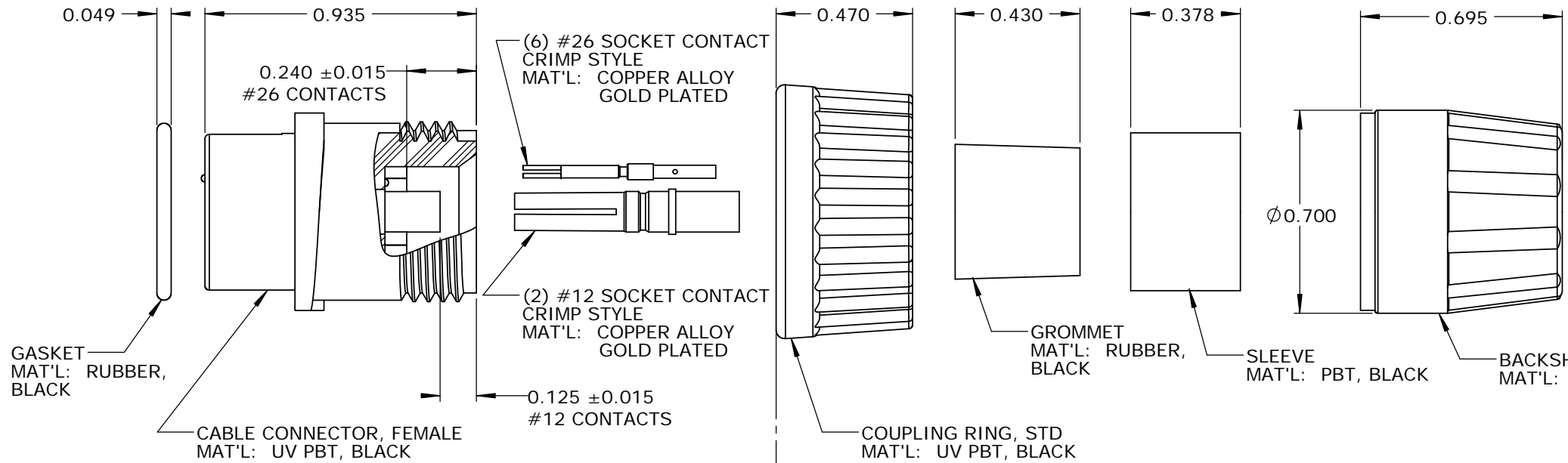
**STD COUPLING RING**  
 P/N: W3B80-8SG-3XX



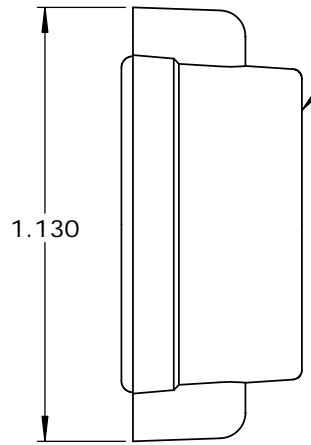
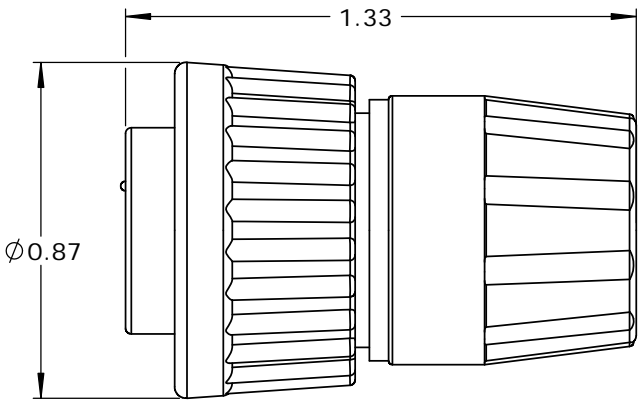
**WINGED COUPLING RING**  
 P/N: W3B80-8SG-3XXW



**FACE VIEW**



**WIRE VIEW**



COUPLING RING, WINGED  
 MAT'L: UV PBT, BLACK

**CUSTOMER APPROVAL**  
 THIS DOCUMENT CONTAINS CONFIDENTIAL INFORMATION PROPRIETARY TO CONXALL CORPORATION. ANY REPRODUCTION, DISCLOSURE, OR USE OF THIS DOCUMENT /INFORMATION IS EXPRESSLY PROHIBITED UNLESS AUTHORIZED IN WRITING BY CONXALL CORPORATION.  
 APPROVED BY: \_\_\_\_\_  
 DATE: \_\_\_\_\_

**RoHS COMPLIANT**

REV.	INIT.	DATE	DESCRIPTION
A	AB	05-09-19	RELEASE PER DOR 14-6281TC

ALL INFORMATION ILLUSTRATED IS THE PROPERTY OF "CONXALL CORPORATION". UNAUTHORIZED DUPLICATION OR DISTRIBUTION OF THIS DOCUMENT IS PROHIBITED.	ORIG. DRAWN BY: AB DATE: 07-21-14	
ALL UNITS ARE IN FEET, INCHES, FRACTION OF INCHES AND DECIMALS.	CHECKED BY:	
APPROVED BY:		TITLE: CABLE END CONNECTOR KIT (2)#12 + (6)#26 SOCKET CONTACTS, CRIMP MULTI-CON-X, WEATHER RESISTANT CUSTOMER: STANDARD PRODUCT
SCALE: NTS	SIZE: B	SHEET: 1 OF 1
FILE: SAME AS P/N	DIRECTORY: SLW	PART NUMBER: W3B80-8SG-3XX(W)

## X-ON Electronics

Largest Supplier of Electrical and Electronic Components

*Click to view similar products for [Standard Circular Connector](#) category:*

*Click to view products by [Switchcraft](#) manufacturer:*

Other Similar products are found below :

[5M2530B10P](#) [600259N006](#) [600273N007](#) [6134-336-13149](#) [6134-337-11149](#) [6134-337-2390](#) [6134-341-17149](#) [6280-4SG-516](#) [6280-7SG-3DC](#)  
[6290](#) [6291A](#) [66200A-10](#) [680-SMG](#) [681-PMG](#) [CXS3102A14S2P](#) [CXS3102A181S](#) [7271-6SG-300](#) [7282-3PG-300-CH3](#) [75-474014-05S](#) [75-](#)  
[474618-01S](#) [75-474618-04P](#) [75-474618-04S](#) [799539-000](#) [MI8-SE](#) [805-005-07NF11-19PC](#) [805-005-07NF15-7PA](#) [8280-4PG-516](#) [8280-7PG-](#)  
[519](#) [8282-5PG-519](#) [836783-1](#) [MP-4102-25P-C](#) [862256-1](#) [864019-2](#) [866857-1](#) [867865-1](#) [PT01SP-14-18P](#) [PT08P-14-5S](#) [120-1833-000](#)  
[QCM019PC2DC012B](#) [1-2069279-1](#) [121583-0217](#) [121667-0020](#) [129591AU](#) [1000B BULK](#) [RD10A16-19-P6CS051/1](#) [RD10A20-31-](#)  
[P8CS051/1](#) [RD16A14-12-S6CS051/2](#) [1301240290](#) [1301240347](#) [1301860202](#) [1301240268](#)