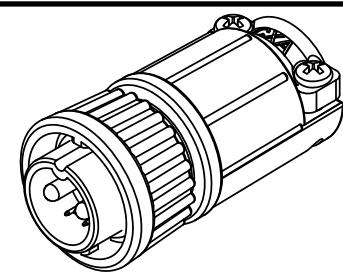


CUSTOMER PRINT

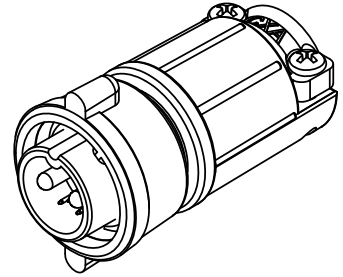
PART NUMBER: W3B82-8PG-5XX

- NOTES:  
 1. PARTS TO BE BULK PACKED.  
 2. SOLDER CONTACTS ARE PRESSED INTO CONNECTOR.  
 SIZE 12 CONTACTS AND SIZE 26 (POSITIONS 3, 7 & 8) FACE TOP KEY (UP).  
 SIZE 26 CONTACTS (POSITIONS 4-6) FACE DOWN.  
 3. ALL DIMENSIONS ARE FOR REFERENCE ONLY EXCEPT WHERE NOTED WITH TOLERANCE.

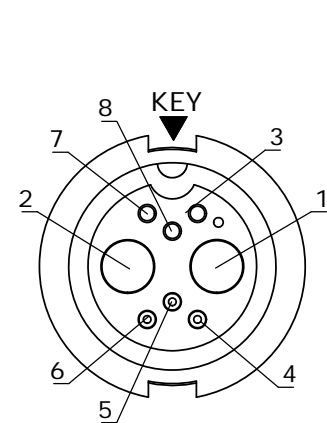
ASSY P/N	COUPLING RING P/N	CABLE O.D.
W3B82-8PG-535	4282V4	.350-.400 IN. [8.9-10.2mm]
W3B82-8PG-535W	4482V4	.350-.400 IN. [8.9-10.2mm]



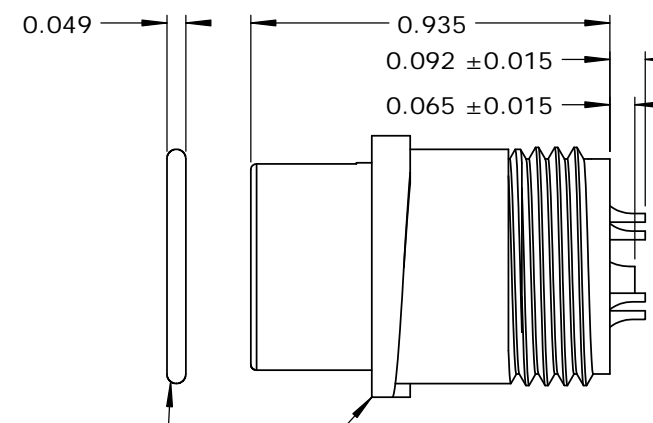
**STD COUPLING RING**  
 P/N: W3B82-8PG-5XX



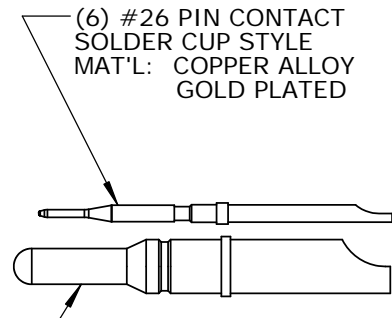
**WINGED COUPLING RING**  
 P/N: W3B82-8PG-5XXW



**FACE VIEW**



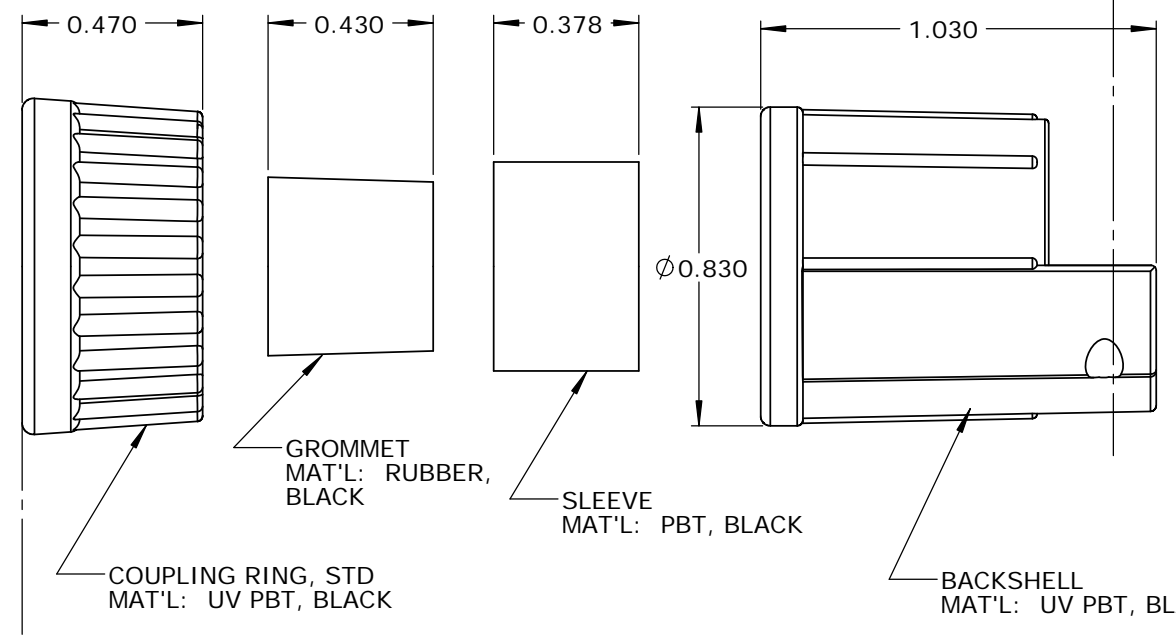
GASKET  
 MAT'L: RUBBER, BLACK  
 CABLE CONNECTOR, MALE  
 MAT'L: UV PBT, BLACK



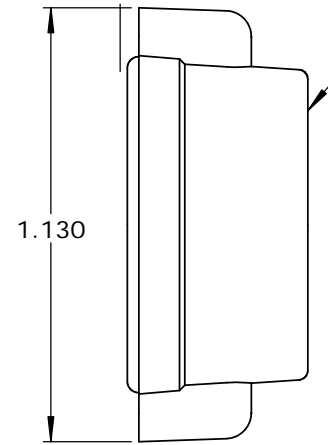
(6) #26 PIN CONTACT  
 SOLDER CUP STYLE  
 MAT'L: COPPER ALLOY  
 GOLD PLATED



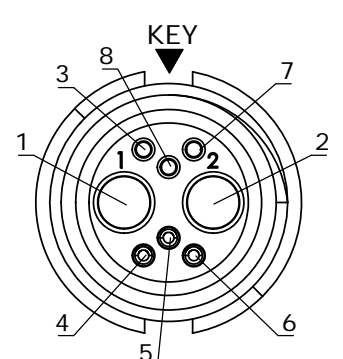
(2) #12 PIN CONTACT  
 SOLDER CUP STYLE  
 MAT'L: COPPER ALLOY  
 GOLD PLATED



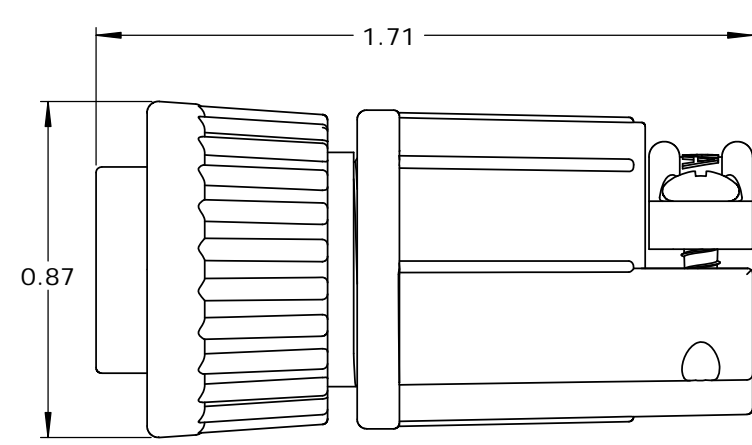
COUPLING RING, STD  
 MAT'L: UV PBT, BLACK  
 GROMMET  
 MAT'L: RUBBER, BLACK  
 SLEEVE  
 MAT'L: PBT, BLACK  
 BACKSHELL  
 MAT'L: UV PBT, BLACK



COUPLING RING, WINGED  
 MAT'L: UV PBT, BLACK



**WIRE VIEW**



**CUSTOMER APPROVAL**  
 THIS DOCUMENT CONTAINS CONFIDENTIAL INFORMATION PROPRIETARY TO CONXALL CORPORATION. ANY REPRODUCTION, DISCLOSURE, OR USE OF THIS DOCUMENT /INFORMATION IS EXPRESSLY PROHIBITED UNLESS AUTHORIZED IN WRITING BY CONXALL CORPORATION.  
 APPROVED BY: \_\_\_\_\_  
 DATE: \_\_\_\_\_

**RoHS COMPLIANT**

A	AB	05-09-19	RELEASE PER DOR 14-6281TC
REV.	INIT.	DATE	DESCRIPTION
ALL INFORMATION ILLUSTRATED IS THE PROPERTY OF CONXALL CORPORATION. UNAUTHORIZED DUPLICATION OR DISTRIBUTION OF THIS DOCUMENT IS PROHIBITED.		ORIG. DRAWN BY: AB	DATE: 07-21-14
ALL UNITS ARE IN FEET, INCHES, FRACTION OF INCHES AND DECIMALS.		CHECKED BY:	 601 E. WILDWOOD VILLA PARK, IL 60181
APPROVED BY:		APPROVED BY:	
SCALE: NTS	SIZE: B	SHEET: 1 OF 1	TITLE: CABLE END CONNECTOR KIT (2)#12 + (6)#26 PIN CONTACTS, SOLDER CUP MULTI-CON-X, WEATHER RESISTANT STANDARD PRODUCT
FILE: SAME AS P/N	DIRECTORY: SLW	PART NUMBER: W3B82-8PG-5XX(W)	REV: A

## X-ON Electronics

Largest Supplier of Electrical and Electronic Components

*Click to view similar products for [Standard Circular Connector](#) category:*

*Click to view products by [Switchcraft](#) manufacturer:*

Other Similar products are found below :

[5M2530B10P](#) [600259N006](#) [600273N007](#) [6134-336-13149](#) [6134-337-11149](#) [6134-337-2390](#) [6134-341-17149](#) [6280-4SG-516](#) [6280-7SG-3DC](#)  
[6290](#) [6291A](#) [66200A-10](#) [680-SMG](#) [681-PMG](#) [CXS3102A14S2P](#) [CXS3102A181S](#) [7271-6SG-300](#) [7282-3PG-300-CH3](#) [75-474014-05S](#) [75-](#)  
[474618-01S](#) [75-474618-04P](#) [75-474618-04S](#) [799539-000](#) [MI8-SE](#) [805-005-07NF11-19PC](#) [805-005-07NF15-7PA](#) [8280-4PG-516](#) [8280-7PG-](#)  
[519](#) [8282-5PG-519](#) [836783-1](#) [MP-4102-25P-C](#) [862256-1](#) [864019-2](#) [866857-1](#) [867865-1](#) [PT01SP-14-18P](#) [PT08P-14-5S](#) [120-1833-000](#)  
[QCM019PC2DC012B](#) [1-2069279-1](#) [121583-0217](#) [121667-0020](#) [129591AU](#) [1000B BULK](#) [RD10A16-19-P6CS051/1](#) [RD10A20-31-](#)  
[P8CS051/1](#) [RD16A14-12-S6CS051/2](#) [1301240290](#) [1301240347](#) [1301860202](#) [1301240268](#)