

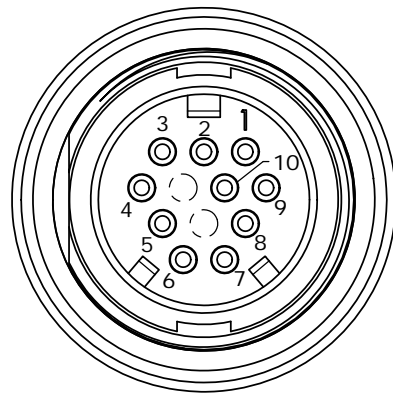
CUSTOMER PRINT

PART NUMBER: W4282-1XPG-300

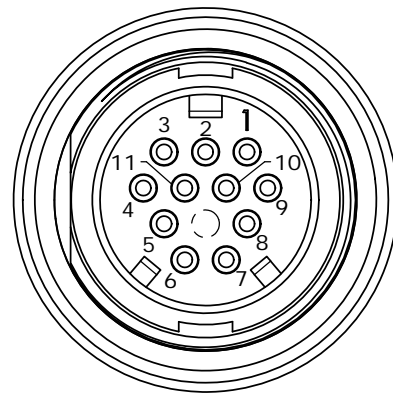
ASS'Y P/N	CONTACTS	HOLE POS. CLOSED
W4282-10PG-300	10 - #20	11, 12
W4282-11PG-300	11 - #20	12
W4282-12PG-300	12 - #20	NONE
W4282-1XPG-300		

NO. OF CONTACTS

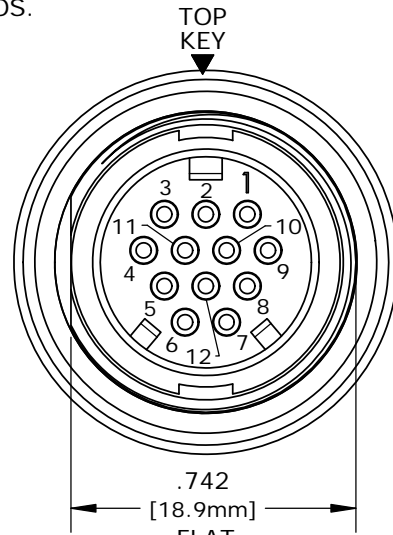
- NOTES:**
- ALL PARTS TO BE BULK PACKED.
 - CONTACTS ASSEMBLED INTO CONNECTOR. SOLDER CUPS FACING TOP KEY.
 - ALL DIMENSIONS ARE REFERENCE ONLY EXCEPT WHERE NOTED WITH A TOLERANCE. DIMENSIONS IN BRACKETS [] ARE METRIC.



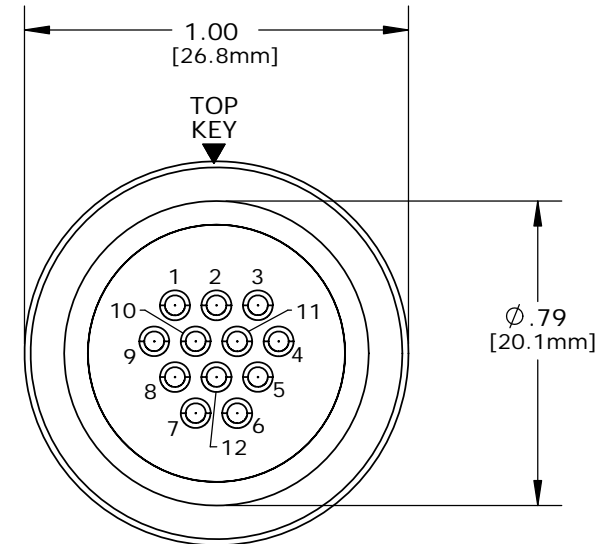
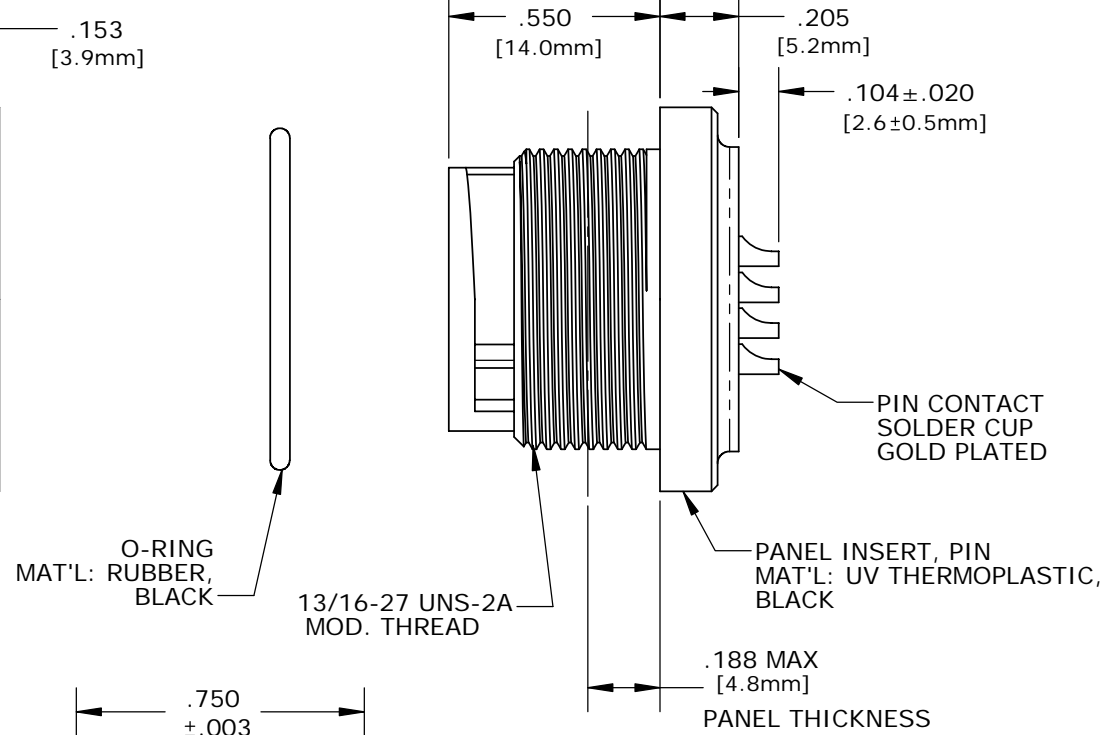
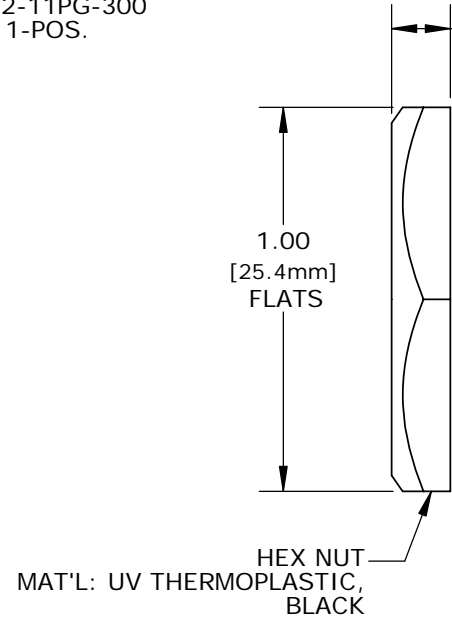
FACE VIEW
W4282-10PG-300
10-POS.



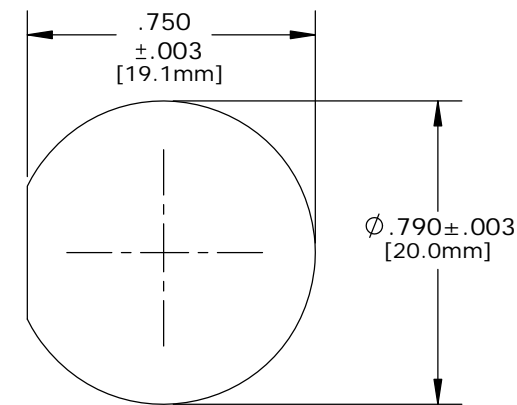
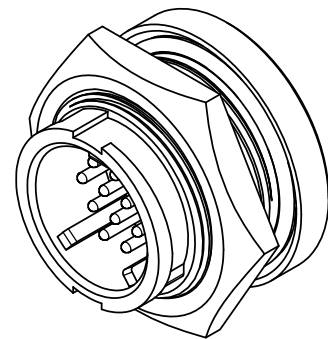
FACE VIEW
W4282-11PG-300
11-POS.



FACE VIEW
W4282-12PG-300
12-POS.



WIRE VIEW
W4282-10PG-300 - 10-POS. (11&12 CLOSED)
W4282-11PG-300 - 11-POS. (12 CLOSED)
W4282-12PG-300 - 12-POS. (ALL OPEN)



**RECOMMENDED
PANEL CUTOUT
STANDARD MULTI-CON-X**

CUSTOMER APPROVAL

THIS DOCUMENT CONTAINS CONFIDENTIAL INFORMATION PROPRIETARY TO CONXALL CORPORATION. ANY REPRODUCTION, DISCLOSURE, OR USE OF THIS DOCUMENT /INFORMATION IS EXPRESSLY PROHIBITED UNLESS AUTHORIZED IN WRITING BY CONXALL CORPORATION.

APPROVED BY: _____

DATE: _____

A	PAK	09/12/19	DRAWING CREATED AND RELEASED PER DOR 10-2523JS-1	
REV.	INIT.	DATE	DESCRIPTION	
			ORIG. DRAWN BY: PAK	DATE: 10/07/14
ALL INFORMATION ILLUSTRATED IS THE PROPERTY OF CONXALL CORPORATION. UNAUTHORIZED DUPLICATION OR DISTRIBUTION OF THIS DOCUMENT IS PROHIBITED.			<p>601 E. WILDWOOD VILLA PARK, IL 60181</p>	
UNLESS OTHERWISE SPECIFIED TOLERANCES: 3 PLACE DECIMALS ±.005 ANGLES ±1° FRACTIONS ±1/16				
ALL UNITS ARE IN FEET, INCHES, FRACTION OF INCHES AND DECIMALS.			APPROVED BY:	TITLE: PANEL PIN, E-KEY
SCALE	SIZE	SHEET	#20 SOLDER, 12-POS. PATTERN	
NTS	B	1 OF 1	MULTI-CON-X, WEATHER RESISTANT	
FILE:	DIRECTORY:	PART NUMBER:	STANDARD PRODUCT	
W4282-1XPG-300	SLW	W4282-1XPG-300		
				REV A

X-ON Electronics

Largest Supplier of Electrical and Electronic Components

Click to view similar products for [Standard Circular Connector](#) category:

Click to view products by [Switchcraft](#) manufacturer:

Other Similar products are found below :

[5M2530B10P](#) [600259N006](#) [600273N007](#) [6134-336-13149](#) [6134-337-11149](#) [6134-337-2390](#) [6134-341-17149](#) [6280-4SG-516](#) [6280-7SG-3DC](#)
[6290](#) [6291A](#) [66200A-10](#) [680-SMG](#) [681-PMG](#) [CXS3102A14S2P](#) [CXS3102A181S](#) [7271-6SG-300](#) [7282-3PG-300-CH3](#) [75-474014-05S](#) [75-](#)
[474618-01S](#) [75-474618-04P](#) [75-474618-04S](#) [799539-000](#) [MI8-SE](#) [805-005-07NF11-19PC](#) [805-005-07NF15-7PA](#) [8280-4PG-516](#) [8280-7PG-](#)
[519](#) [8282-5PG-519](#) [836783-1](#) [MP-4102-25P-C](#) [862256-1](#) [864019-2](#) [866857-1](#) [867865-1](#) [PT01SP-14-18P](#) [PT08P-14-5S](#) [120-1833-000](#)
[QCM019PC2DC012B](#) [1-2069279-1](#) [121583-0217](#) [121667-0020](#) [129591AU](#) [1000B BULK](#) [RD10A16-19-P6CS051/1](#) [RD10A20-31-](#)
[P8CS051/1](#) [RD16A14-12-S6CS051/2](#) [1301240290](#) [1301240347](#) [1301860202](#) [1301240268](#)