

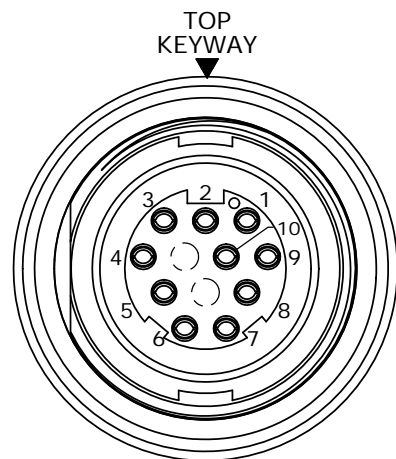
CUSTOMER PRINT

PART NUMBER: W4282-1XSG-300

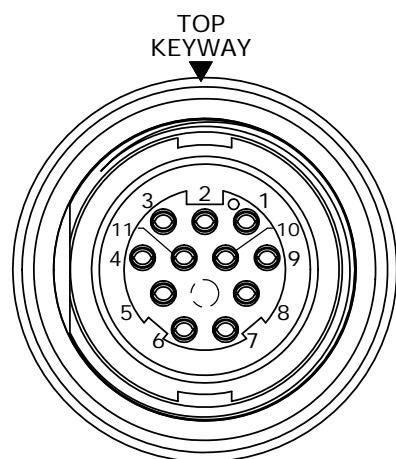
ASS'Y P/N	CONTACTS	HOLE POS. CLOSED
W4282-10SG-300	10 - #20	11, 12
W4282-11SG-300	11 - #20	12
W4282-12SG-300	12 - #20	NONE
W4282-1XSG-300		

NO. OF CONTACTS

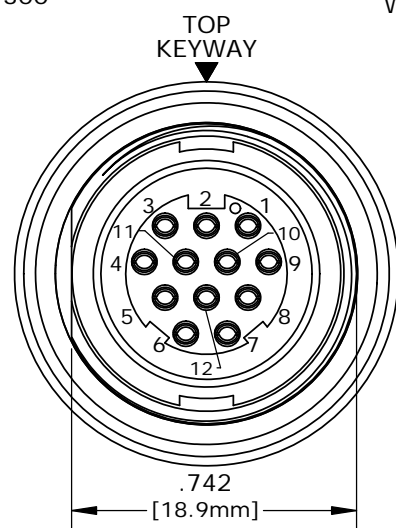
- NOTES:**
 1. ALL PARTS TO BE BULK PACKED.
 2. CONTACTS ASSEMBLED INTO CONNECTOR. SOLDER CUPS FACING TOP KEYWAY.
 3. ALL DIMENSIONS ARE REFERENCE ONLY EXCEPT WHERE NOTED WITH A TOLERANCE. DIMENSIONS IN BRACKETS [] ARE METRIC.



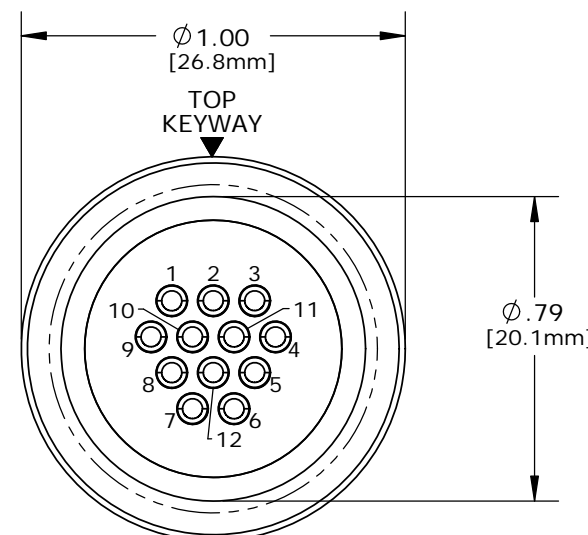
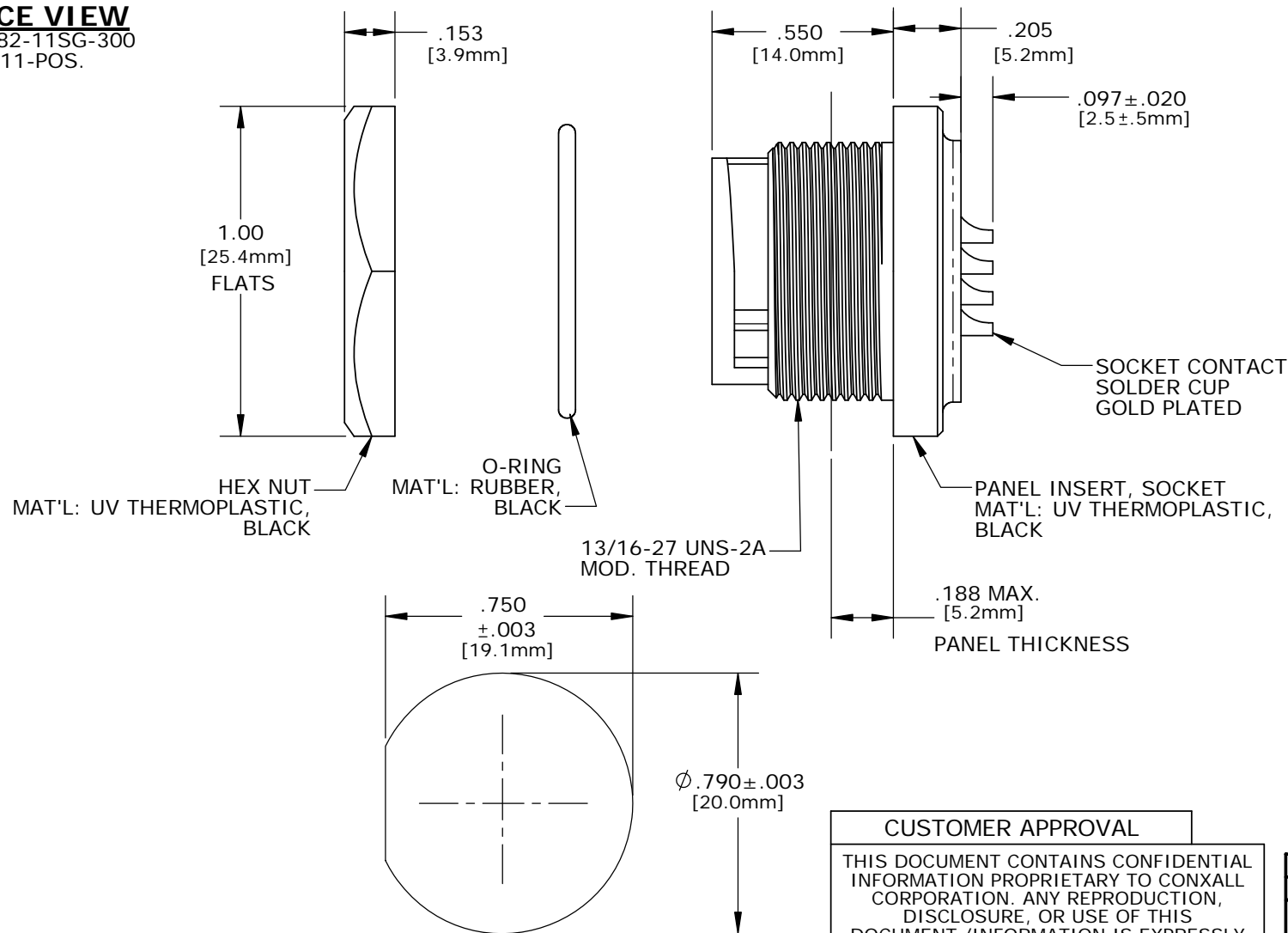
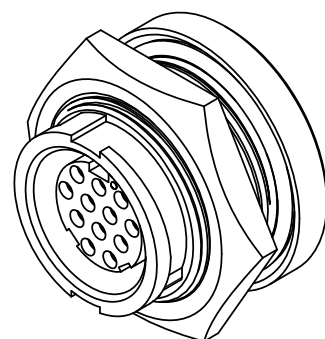
FACE VIEW
W4282-10SG-300
10-POS.



FACE VIEW
W4282-11SG-300
11-POS.



FACE VIEW
W4282-12SG-300
12-POS.



PC TAIL VIEW
 W4282-10SG-300 - 10-POS. (11&12 CLOSED)
 W4282-11SG-300 - 11-POS. (12 CLOSED)
 W4282-12SG-300 - 12-POS. (ALL OPEN)

**RECOMMENDED
 PANEL CUTOUT
 STANDARD MULTI-CON-X**

CUSTOMER APPROVAL
 THIS DOCUMENT CONTAINS CONFIDENTIAL INFORMATION PROPRIETARY TO CONXALL CORPORATION. ANY REPRODUCTION, DISCLOSURE, OR USE OF THIS DOCUMENT /INFORMATION IS EXPRESSLY PROHIBITED UNLESS AUTHORIZED IN WRITING BY CONXALL CORPORATION.
 APPROVED BY: _____
 DATE: _____

A	PAK	09/12/19	DRAWING CREATED AND RELEASED PER DOR 10-2523JS-1	
REV.	INIT.	DATE	DESCRIPTION	
	PAK	10/06/14	ORIG. DRAWN BY: DATE: 10/06/14	
ALL INFORMATION ILLUSTRATED IS THE PROPERTY OF "CONXALL CORPORATION". UNAUTHORIZED DUPLICATION OR DISTRIBUTION OF THIS DOCUMENT IS PROHIBITED.				
ALL UNITS ARE IN FEET, INCHES, FRACTION OF INCHES AND DECIMALS.			601 E. WILDWOOD VILLA PARK, IL 60181	
UNLESS OTHERWISE SPECIFIED TOLERANCES: 3 PLACE DECIMALS ± .005 ANGLES ± 1° FRACTIONS ± 1/16			TITLE: PANEL SOCKET, E-KEY #20 SOLDER, 12-POS. PATTERN MULTI-CON-X, WEATHER RESISTANT STANDARD PRODUCT	
FILE:	W4282-1XSG-300	DIRECTORY:	SLW	PART NUMBER: W4282-1XSG-300
SCALE: NTS SIZE: B SHEET: 1 OF 1 CUSTOMER: STANDARD PRODUCT				REV: A

X-ON Electronics

Largest Supplier of Electrical and Electronic Components

Click to view similar products for [Standard Circular Connector](#) category:

Click to view products by [Switchcraft](#) manufacturer:

Other Similar products are found below :

[5M2530B10P](#) [600259N006](#) [600273N007](#) [6134-336-13149](#) [6134-337-11149](#) [6134-337-2390](#) [6134-341-17149](#) [6280-4SG-516](#) [6280-7SG-3DC](#)
[6290](#) [6291A](#) [66200A-10](#) [680-SMG](#) [681-PMG](#) [CXS3102A14S2P](#) [CXS3102A181S](#) [7251-5SG-300](#) [7271-6SG-300](#) [7282-3PG-300-CH3](#) [75-](#)
[474618-01S](#) [75-474618-04P](#) [75-474618-04S](#) [799539-000](#) [MI8-SE](#) [805-005-07NF11-19PC](#) [805-005-07NF15-7PA](#) [8280-4PG-516](#) [8280-7PG-](#)
[519](#) [8282-5PG-519](#) [836783-1](#) [MP-4102-25P-C](#) [862256-1](#) [864019-2](#) [866857-1](#) [867865-1](#) [PT01SP-14-18P](#) [PT08P-14-5S](#) [PTSF06SE-14-12S](#)
[120-1833-000](#) [QCM019PC2DC012B](#) [1-2069279-1](#) [121583-0217](#) [121667-0020](#) [129591AU](#) [1000B BULK](#) [RD10A16-19-P6CS051/1](#)
[RD10A20-31-P8CS051/1](#) [RD16A14-12-S6CS051/2](#) [1301240290](#) [1301240347](#) [1301860202](#)