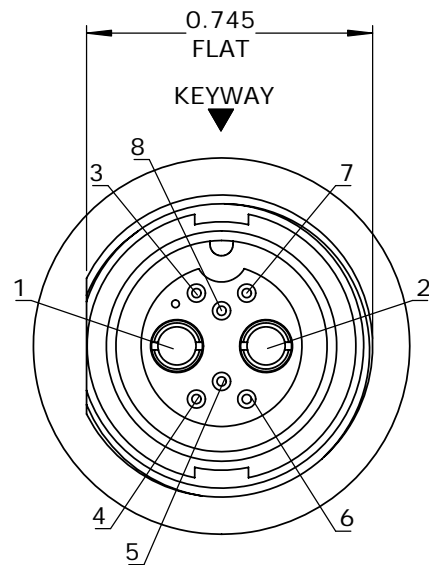
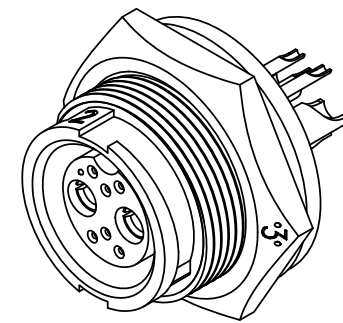


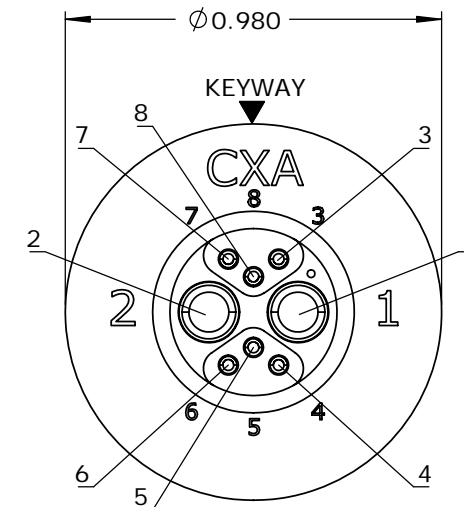
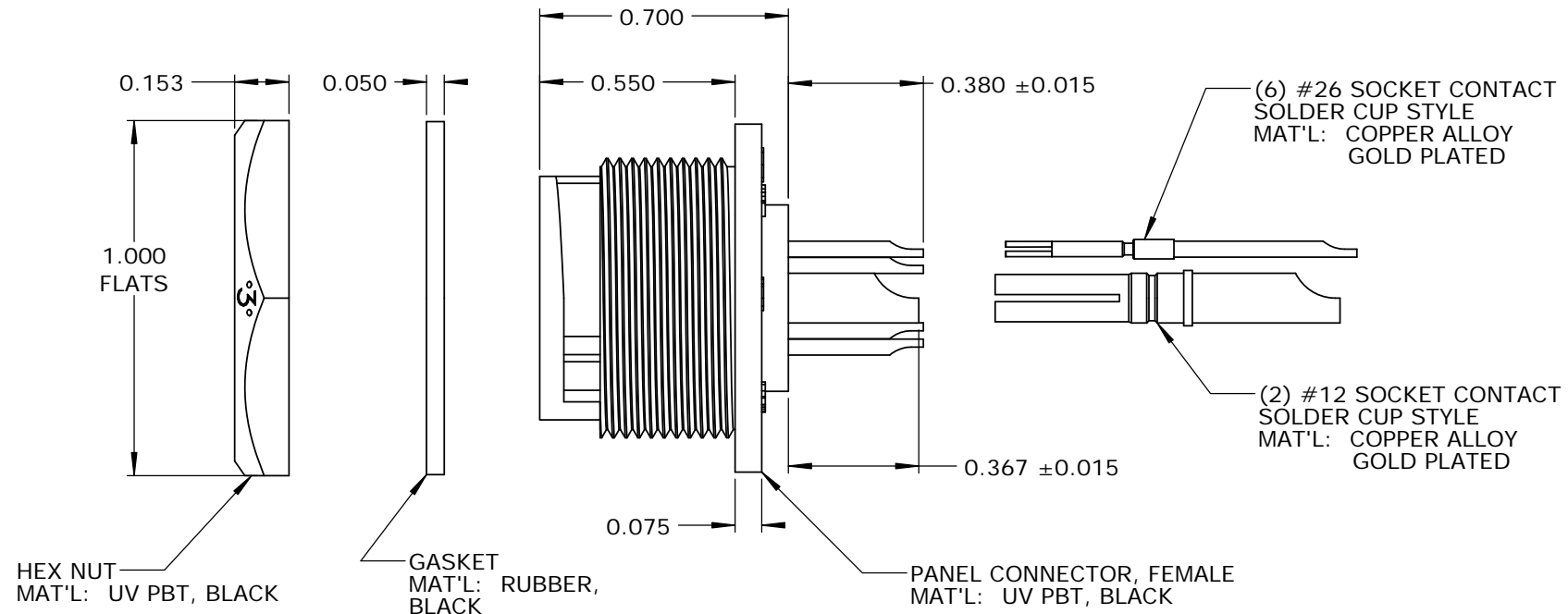
CUSTOMER PRINT

PART NUMBER: W4B82-8SG-3ES

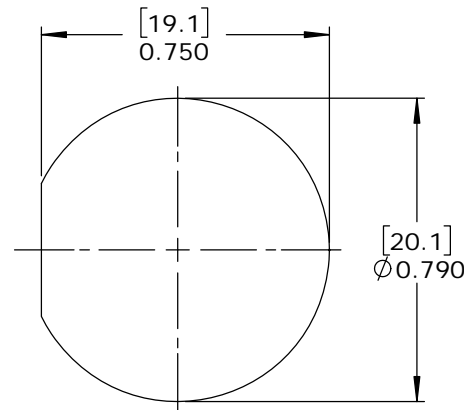
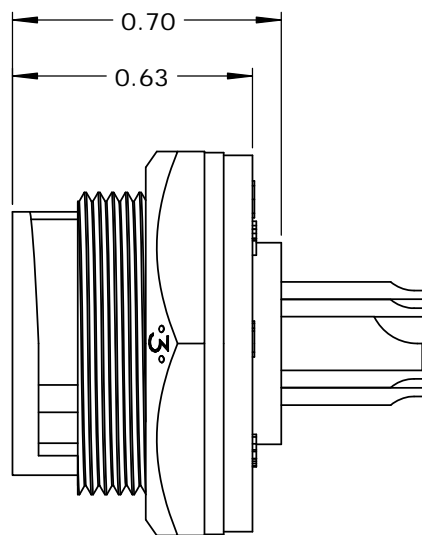
- NOTES:  
 1. PARTS TO BE BULK PACKED.  
 2. SOLDER CONTACTS ARE PRESSED INTO CONNECTOR.  
 SIZE 12 CONTACTS AND SIZE 26 CONTACTS (POSITIONS 3, 7, 8) FACE TOP KEY (UP).  
 SIZE 26 CONTACTS (POSITIONS 4-6) FACE DOWN.  
 3. REAR WELL FILLED WITH BLACK EPOXY.  
 4. ALL DIMENSIONS ARE FOR REFERENCE ONLY EXCEPT WHERE NOTED WITH TOLERANCE.



**FACE VIEW**



**WIRE VIEW**



RECOMMENDED PANEL CUT-OUT  
 TOLERANCE ±.003 [0.08]

**CUSTOMER APPROVAL**

THIS DOCUMENT CONTAINS CONFIDENTIAL INFORMATION PROPRIETARY TO CONXALL CORPORATION. ANY REPRODUCTION, DISCLOSURE, OR USE OF THIS DOCUMENT / INFORMATION IS EXPRESSLY PROHIBITED UNLESS AUTHORIZED IN WRITING BY CONXALL CORPORATION.

APPROVED BY: \_\_\_\_\_  
 DATE: \_\_\_\_\_

**RoHS COMPLIANT**

A	AB	05-10-19	RELEASE PER DOR 14-6281TC
REV.	INIT.	DATE	DESCRIPTION
	AB	07-18-14	
<small>ALL INFORMATION ILLUSTRATED IS THE PROPERTY OF "CONXALL CORPORATION." UNAUTHORIZED DUPLICATION OR DISTRIBUTION OF THIS DOCUMENT IS PROHIBITED.</small>			<p>601 E. WILDWOOD VILLA PARK, IL 60181</p>
<small>ALL UNITS ARE IN FEET, INCHES, FRACTION OF INCHES AND DECIMALS.</small>			
<small>ORIG. DRAWN BY: DATE:</small> AB 07-18-14		<small>CHECKED BY:</small>	
<small>APPROVED BY:</small>		<small>TITLE:</small> PANEL CONNECTOR KIT (2)#12 + (6)#26 SOCKET CONTACTS, SOLDER MULTI-CON-X, WEATHER RESISTANT STANDARD PRODUCT	
<small>SCALE</small> NTS	<small>SIZE</small> B	<small>SHEET</small> 1 OF 1	<small>CUSTOMER:</small> STANDARD PRODUCT
<small>FILE:</small> SAME AS P/N	<small>DIRECTORY:</small> SLW	<small>PART NUMBER:</small> W4B82-8SG-3ES	<small>REV</small> A

## X-ON Electronics

Largest Supplier of Electrical and Electronic Components

*Click to view similar products for [Standard Circular Connector](#) category:*

*Click to view products by [Switchcraft](#) manufacturer:*

Other Similar products are found below :

[5M2530B10P](#) [600259N006](#) [600273N007](#) [6134-336-13149](#) [6134-337-11149](#) [6134-337-2390](#) [6134-341-17149](#) [6280-4SG-516](#) [6280-7SG-3DC](#)  
[6290](#) [6291A](#) [66200A-10](#) [680-SMG](#) [681-PMG](#) [CXS3102A14S2P](#) [CXS3102A181S](#) [7251-5SG-300](#) [7271-6SG-300](#) [7282-3PG-300-CH3](#) [75-](#)  
[474618-01S](#) [75-474618-04P](#) [75-474618-04S](#) [799539-000](#) [MI8-SE](#) [805-005-07NF11-19PC](#) [805-005-07NF15-7PA](#) [8280-4PG-516](#) [8280-7PG-](#)  
[519](#) [8282-5PG-519](#) [836783-1](#) [MP-4102-25P-C](#) [862256-1](#) [864019-2](#) [866857-1](#) [867865-1](#) [PT01SP-14-18P](#) [PT08P-14-5S](#) [PTSF06SE-14-12S](#)  
[120-1833-000](#) [QCM019PC2DC012B](#) [1-2069279-1](#) [121583-0217](#) [121667-0020](#) [129591AU](#) [1000B BULK](#) [RD10A16-19-P6CS051/1](#)  
[RD10A20-31-P8CS051/1](#) [RD16A14-12-S6CS051/2](#) [1301240290](#) [1301240347](#) [1301860202](#)