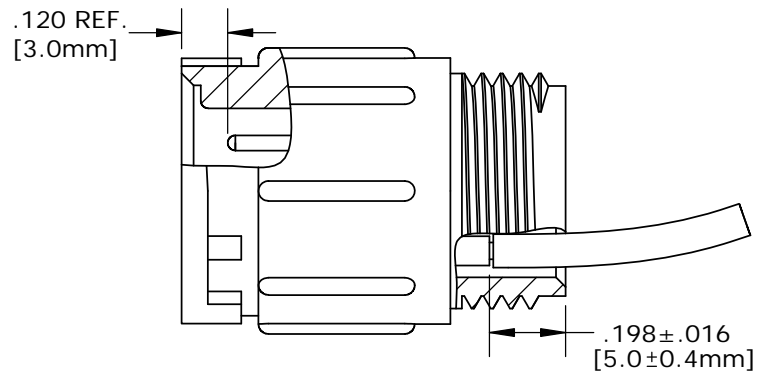


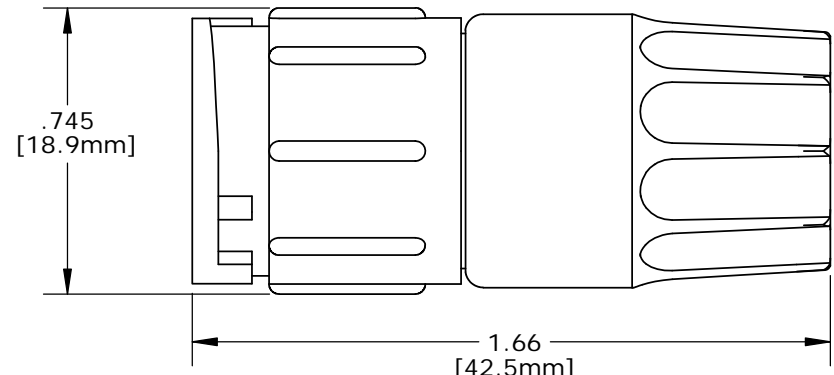
- NOTES:  
 1. PARTS TO BE BULK PACKED.  
 2. ASSEMBLE CONTACTS INTO CONNECTOR AFTER CRIMPING ONTO WIRES.  
 3. ALL DIMENSIONS ARE REFERENCE ONLY EXCEPT WHERE NOTED WITH TOLERANCE. DIMENSIONS IN BRACKETS [ ] ARE METRIC.

KIT PART NO.	GROMMET SIZE TO FIT CABLE O.D.
W5280-XPG-324	0.24 - 0.27 [6.1-6.8mm]
W5280-XPG-328	0.28 - 0.29 [7.1-7.4mm]
W5280-XPG-330	0.30 - 0.32 [7.6-8.1mm]
W5280-XPG-3DC	0.12-0.17-0.24 [3.0-4.3-6.1mm]

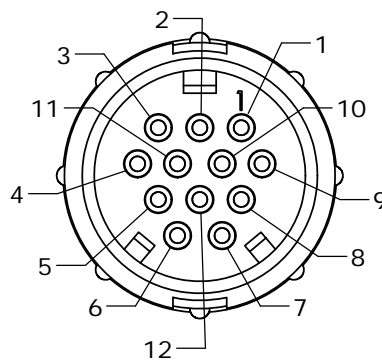
KIT P/N	NO/ OF CONTACTS
W5280-10PG-3XX	(10) - #20
W5280-11PG-3XX	(11) - #20
W5280-12PG-3XX	(12) - #20
W5280-1XPG-3XX	



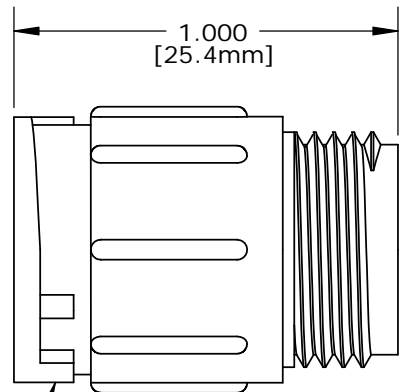
**CONTACT INSERTION VIEW**



**ASSEMBLED VIEW**



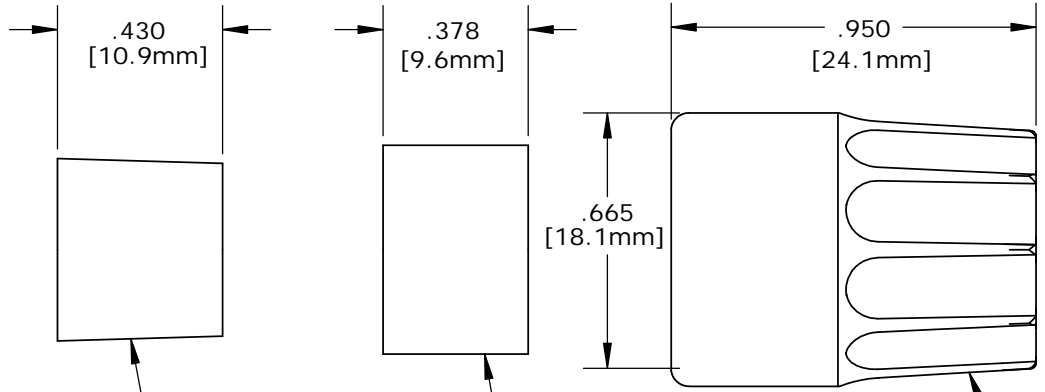
**FACE VIEW**  
W5280-12PG-3XX



CABLE IN-LINE INSERT, MALE  
MAT'L: UV THERMOPLASTIC, BLACK



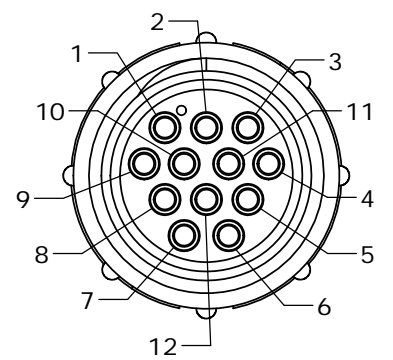
#20 PIN CONTACTS  
CRIMP,  
GOLD PLATED



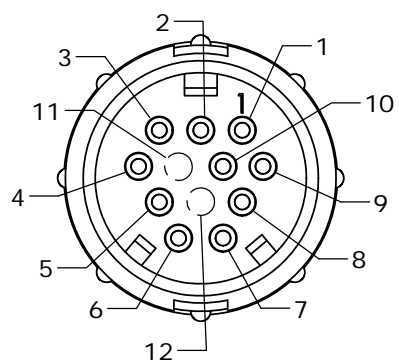
GROMMET,  
MAT'L: RUBBER,  
BLACK  
FOR CABLE O.D.  
SEE TABLE

SLEEVE  
MAT'L: THERMOPLASTIC,  
BLACK

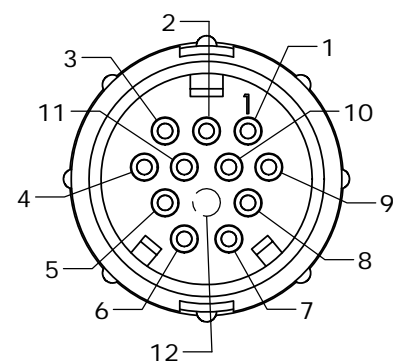
BACKSHELL  
MAT'L: UV THERMOPLASTIC,  
BLACK



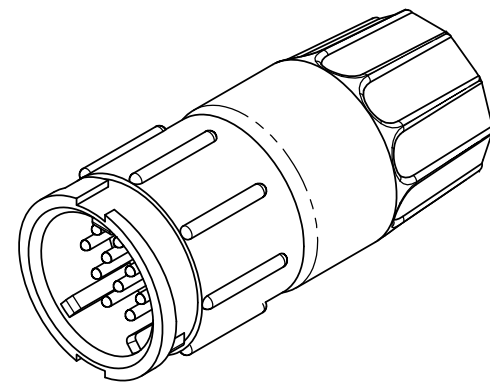
**WIRE VIEW**



**FACE VIEW**  
W5280-10PG-3XX



**FACE VIEW**  
W5280-11PG-3XX



**CUSTOMER APPROVAL**

THIS DOCUMENT CONTAINS CONFIDENTIAL INFORMATION PROPRIETARY TO CONXALL CORPORATION. ANY REPRODUCTION, DISCLOSURE, OR USE OF THIS DOCUMENT /INFORMATION IS EXPRESSLY PROHIBITED UNLESS AUTHORIZED IN WRITING BY CONXALL CORPORATION.

APPROVED BY: \_\_\_\_\_  
 DATE: \_\_\_\_\_

A	PAK	08/16/19	DRAWING CREATED & RELEASED PER DOR 10-2523JS-1	
REV.	INIT.	DATE	DESCRIPTION	
	PAK	09/30/14	CABLE TO CABLE CONNECTOR KIT	
ALL INFORMATION ILLUSTRATED IS THE PROPERTY OF CONXALL CORPORATION. UNAUTHORIZED DUPLICATION OR DISTRIBUTION OF THIS DOCUMENT IS PROHIBITED.				
ALL UNITS ARE IN FEET, INCHES, FRACTION OF INCHES AND DECIMALS.			601 E. WILDWOOD VILLA PARK, IL 60181	
UNLESS OTHERWISE SPECIFIED TOLERANCES: 3 PLACE DECIMALS ± .005 ANGLES ± 1° FRACTIONS ± 1/16			TITLE: CABLE TO CABLE CONNECTOR KIT #20 PIN CONTACTS (CRIMP) MULTI-CON-X, E-KEY, WEATHER RESISTANT STANDARD PRODUCT	
- CRITICAL CHARACTERISTIC FLAG PER SPEC. XXXX			SCALE: NTS	SHEET: 1 OF 1
FILE:	W5280-1XPG-3XX	DIRECTORY:	SLW	PART NUMBER: W5280-1XPG-3XX
				REV: A

CUSTOMER PRINT

PART NUMBER: W5280-1XPG-3XX

## X-ON Electronics

Largest Supplier of Electrical and Electronic Components

*Click to view similar products for [Standard Circular Connector](#) category:*

*Click to view products by [Switchcraft](#) manufacturer:*

Other Similar products are found below :

[5M2530B10P](#) [600259N006](#) [600273N007](#) [6134-336-13149](#) [6134-337-11149](#) [6134-337-2390](#) [6134-341-17149](#) [6280-4SG-516](#) [6280-7SG-3DC](#)  
[6290](#) [6291A](#) [66200A-10](#) [680-SMG](#) [681-PMG](#) [CXS3102A14S2P](#) [CXS3102A181S](#) [7251-5SG-300](#) [7271-6SG-300](#) [7282-3PG-300-CH3](#) [75-](#)  
[474618-01S](#) [75-474618-04P](#) [75-474618-04S](#) [799539-000](#) [MI8-SE](#) [805-005-07NF11-19PC](#) [805-005-07NF15-7PA](#) [8280-4PG-516](#) [8280-7PG-](#)  
[519](#) [8282-5PG-519](#) [836783-1](#) [MP-4102-25P-C](#) [862256-1](#) [864019-2](#) [866857-1](#) [867865-1](#) [PT01SP-14-18P](#) [PT08P-14-5S](#) [PTSF06SE-14-12S](#)  
[120-1833-000](#) [QCM019PC2DC012B](#) [1-2069279-1](#) [121583-0217](#) [121667-0020](#) [129591AU](#) [1000B BULK](#) [RD10A16-19-P6CS051/1](#)  
[RD10A20-31-P8CS051/1](#) [RD16A14-12-S6CS051/2](#) [1301240290](#) [1301240347](#) [1301860202](#)