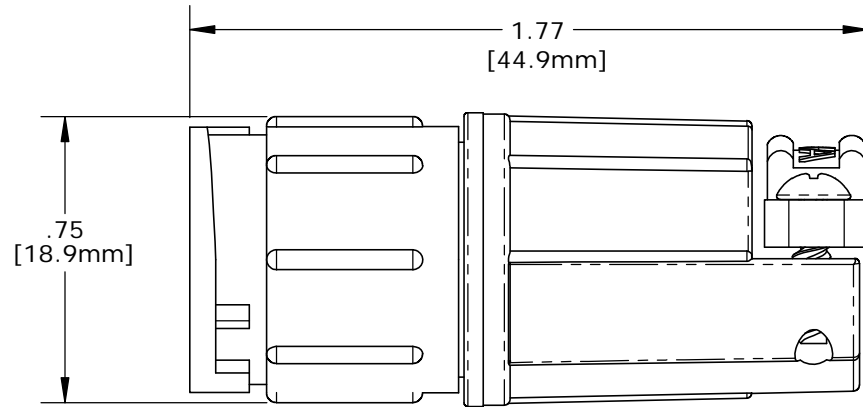


- NOTES:**
 1. PARTS TO BE BULK PACKED.
 2. SOLDER CONTACTS ARE PRESSED INTO CONNECTOR. ALL SOLDER CUPS ARE FACING TOP KEY.
 3. ALL DIMENSIONS ARE REFERENCE ONLY.
 4. DIMENSIONS IN BRACKETS [] ARE METRIC.



ASSEMBLED REFERENCE VIEW

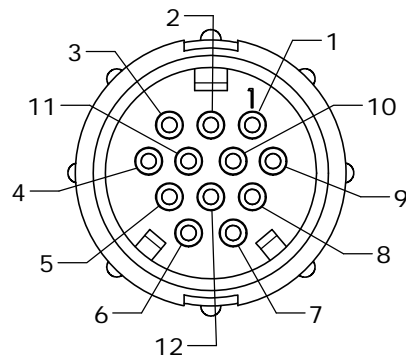
KIT PART NO.	GROMMET SIZE TO FIT CABLE O.D.	DIA. "D"	KIT P/N	NO. OF CONTACTS
W5282-1XPG-518	0.18 - 0.20 [4.6-5.1mm]	Ø0.77 [19.6mm]	W5282-10PG-5XX	(10) - #20
W5282-1XPG-521	0.21 - 0.23 [5.3-5.8mm]	Ø0.77 [19.6mm]	W5282-11PG-5XX	(11) - #20
W5282-1XPG-524	0.24 - 0.27 [6.1-6.8mm]	Ø0.77 [19.6mm]	W5282-12PG-5XX	(12) - #20
W5282-1XPG-528	0.28 - 0.29 [7.1-7.4mm]	Ø0.77 [19.6mm]	W5282-1XPG-5XX	
W5282-1XPG-530	0.30 - 0.32 [7.6-8.1mm]	Ø0.77 [19.6mm]		
W5282-1XPG-535	0.35 - 0.40 [8.9-10.2mm]	Ø0.83 [21.1mm]		

NO. OF CONTACTS

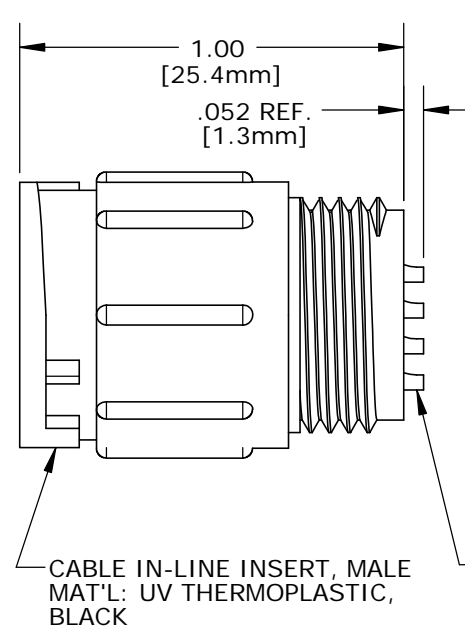
GROMMET SIZE SEE P/N LIST
 NO. OF CONTACTS

#4 HI/LO SCREW
 MAT'L: STAINLESS STEEL

BACKSHELL STRAP
 MAT'L: UV THERMOPLASTIC, BLACK



MATING FACE
W5282-12PG-5XX

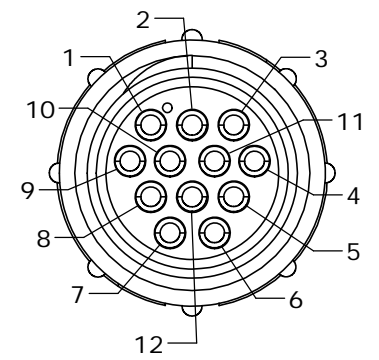
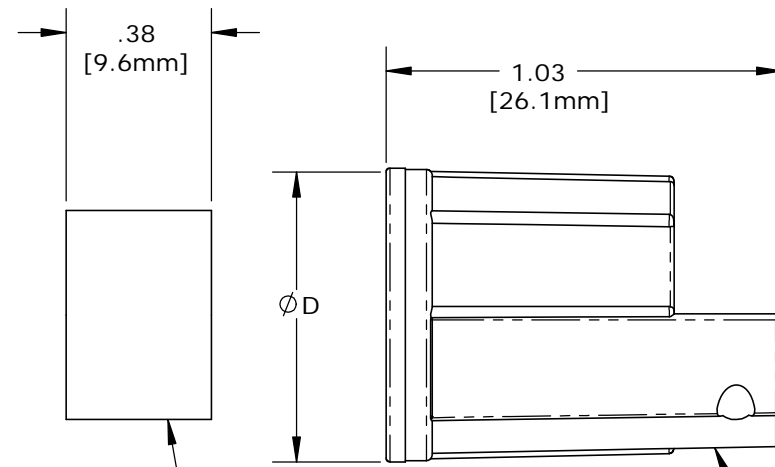


#20 PIN CONTACTS
 SOLDER, GOLD PLATED
 SEE NOTE 2

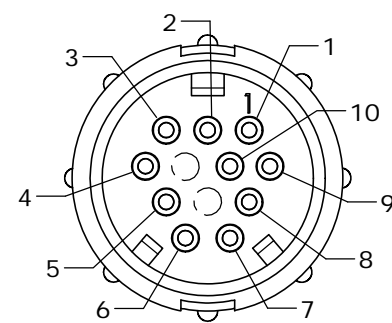
GROMMET, MAT'L: RUBBER, BLACK
 FOR CABLE O.D. SEE TABLE

SLEEVE MAT'L: THERMOPLASTIC, BLACK

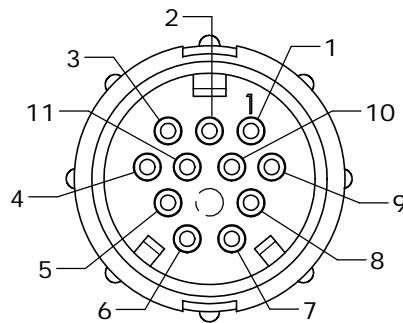
BACKSHELL MAT'L: UV THERMOPLASTIC, BLACK



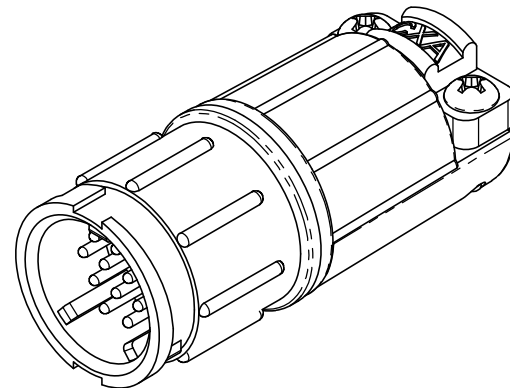
WIRE VIEW



MATING FACE
W5282-10PG-5XX



MATING FACE
W5282-11PG-5XX



CUSTOMER APPROVAL

THIS DOCUMENT CONTAINS CONFIDENTIAL INFORMATION PROPRIETARY TO CONXALL CORPORATION. ANY REPRODUCTION, DISCLOSURE, OR USE OF THIS DOCUMENT /INFORMATION IS EXPRESSLY PROHIBITED UNLESS AUTHORIZED IN WRITING BY CONXALL CORPORATION.

APPROVED BY: _____

DATE: _____

A	PAK	08/19/19	DRAWING CREATED AND RELEASED PER DOR 10-2523JS-1	
REV.	INIT.	DATE	DESCRIPTION	
	PAK	09/29/14	ORIG. DRAWN BY: DATE: PAK 09/29/14 CHECKED BY: APPROVED BY:	
ALL INFORMATION ILLUSTRATED IS THE PROPERTY OF "CONXALL CORPORATION". UNAUTHORIZED DUPLICATION OR DISTRIBUTION OF THIS DOCUMENT IS PROHIBITED.			601 E. WILDWOOD VILLA PARK, IL 60181	
ALL UNITS ARE IN FEET, INCHES, FRACTION OF INCHES AND DECIMALS. UNLESS OTHERWISE SPECIFIED TOLERANCES: 3 PLACE DECIMALS ± .005 ANGLES ± 1° FRACTIONS ± 1/16 ▽ - CRITICAL CHARACTERISTIC FLAG PER SPEC. XXXX				
SCALE	SIZE	SHEET	TITLE	
NTS	B	1 OF 1	#20 PIN CONTACTS (SOLDER), BACKSHELL CLAMP MULTI-CON-X, E-KEY, WEATHER RESISTANT	
FILE:	DIRECTORY:	PART NUMBER:	CUSTOMER: STANDARD PRODUCT	
W5282-1XPG-5XX	SLW	W5282-1XPG-5XX		
		REV	A	

X-ON Electronics

Largest Supplier of Electrical and Electronic Components

Click to view similar products for [Standard Circular Connector](#) category:

Click to view products by [Switchcraft](#) manufacturer:

Other Similar products are found below :

[5M2530B10P](#) [600259N006](#) [600273N007](#) [6134-336-13149](#) [6134-337-11149](#) [6134-337-2390](#) [6134-341-17149](#) [6280-4SG-516](#) [6280-7SG-3DC](#)
[6290](#) [6291A](#) [66200A-10](#) [680-SMG](#) [681-PMG](#) [CXS3102A14S2P](#) [CXS3102A181S](#) [7271-6SG-300](#) [7282-3PG-300-CH3](#) [75-474014-05S](#) [75-](#)
[474618-01S](#) [75-474618-04P](#) [75-474618-04S](#) [799539-000](#) [MI8-SE](#) [805-005-07NF11-19PC](#) [805-005-07NF15-7PA](#) [8280-4PG-516](#) [8280-7PG-](#)
[519](#) [8282-5PG-519](#) [836783-1](#) [MP-4102-25P-C](#) [862256-1](#) [864019-2](#) [866857-1](#) [867865-1](#) [PT01SP-14-18P](#) [PT08P-14-5S](#) [120-1833-000](#)
[QCM019PC2DC012B](#) [1-2069279-1](#) [121583-0217](#) [121667-0020](#) [129591AU](#) [1000B BULK](#) [RD10A16-19-P6CS051/1](#) [RD10A20-31-](#)
[P8CS051/1](#) [RD16A14-12-S6CS051/2](#) [1301240290](#) [1301240347](#) [1301860202](#) [1301240268](#)