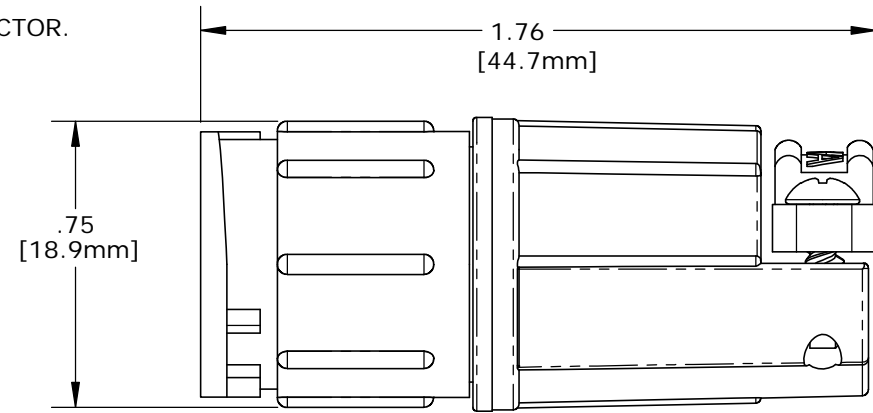


- NOTES:**
 1. PARTS TO BE BULK PACKED.
 2. SOLDER CONTACTS ARE PRESSED INTO CONNECTOR.
 ALL SOLDER CUPS ARE TO BE FACING TOP KEY.
 3. ALL DIMENSIONS ARE REFERENCE ONLY
 4. DIMENSIONS IN BRACKETS [] ARE METRIC.



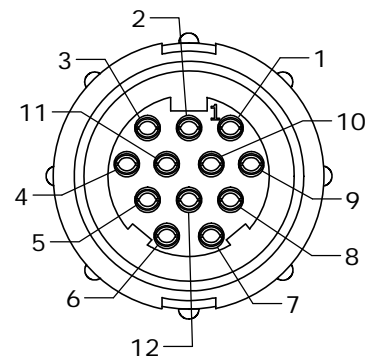
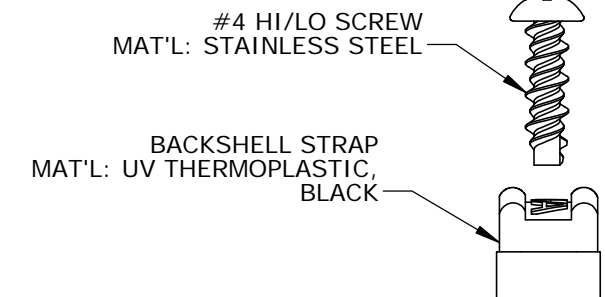
ASSEMBLED REFERENCE VIEW

KIT PART NO.	GROMMET SIZE TO FIT CABLE O.D.	DIA. "D"	KIT P/N	NO/ OF CONTACTS
W5282-1XSG-518	0.18 - 0.20 [4.6-5.1mm]	Ø0.77 [19.6mm]	W5282-10SG-5XX	(10) - #20
W5282-1XSG-521	0.21 - 0.23 [5.3-5.8mm]	Ø0.77 [19.6mm]	W5282-11SG-5XX	(11) - #20
W5282-1XSG-524	0.24 - 0.27 [6.1-6.8mm]	Ø0.77 [19.6mm]	W5282-12SG-5XX	(12) - #20
W5282-1XSG-528	0.28 - 0.29 [7.1-7.4mm]	Ø0.77 [19.6mm]	W5282-1XSG-5XX	
W5282-1XSG-530	0.30 - 0.32 [7.6-8.1mm]	Ø0.77 [19.6mm]		
W5282-1XSG-535	0.35 - 0.40 [8.9-10.2mm]	Ø0.83 [21.1mm]		

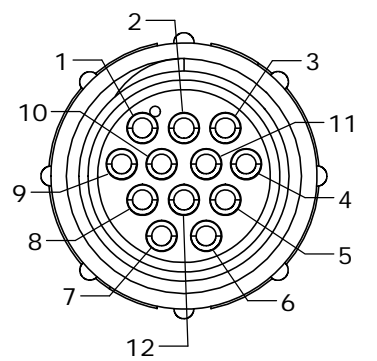
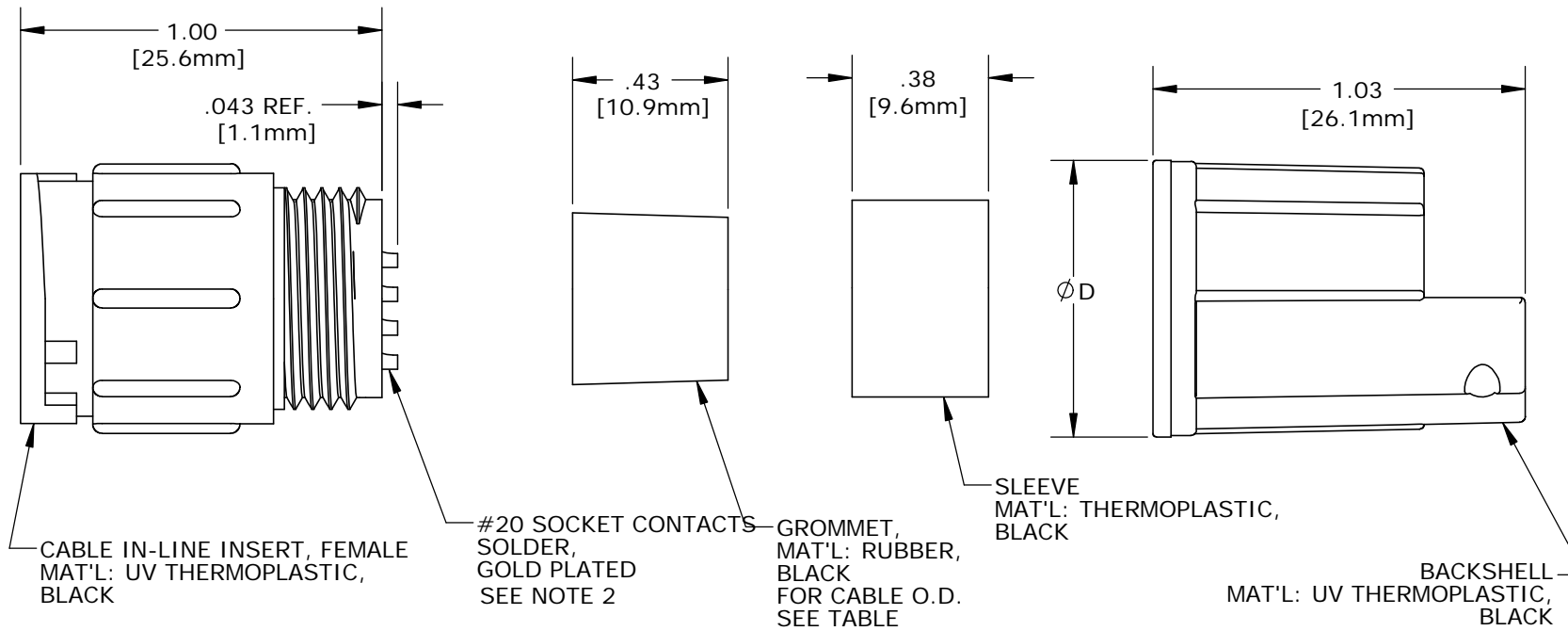
NO. OF CONTACTS

NO. OF CONTACTS

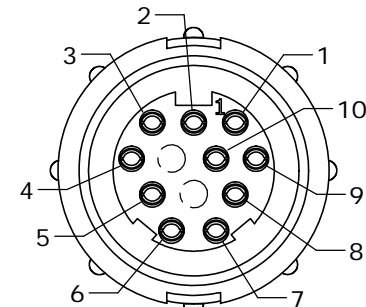
GROMMET SIZE SEE P/N LIST



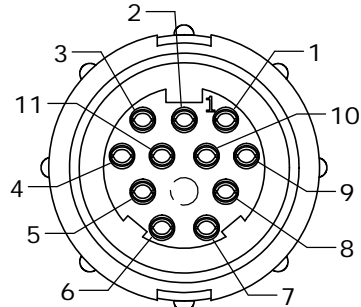
FACE VIEW
W5282-12SG-5XX



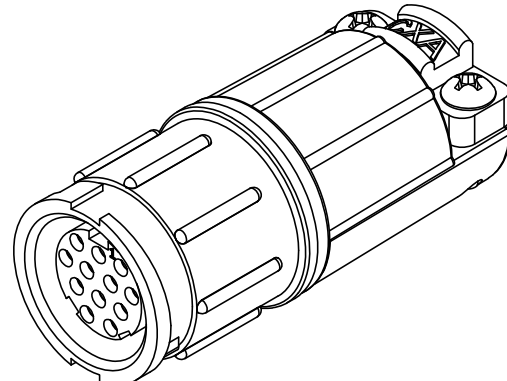
WIRE VIEW
12-position



FACE VIEW
W5282-10SG-5XX



FACE VIEW
W5282-11SG-5XX



CUSTOMER APPROVAL

THIS DOCUMENT CONTAINS CONFIDENTIAL INFORMATION PROPRIETARY TO CONXALL CORPORATION. ANY REPRODUCTION, DISCLOSURE, OR USE OF THIS DOCUMENT /INFORMATION IS EXPRESSLY PROHIBITED UNLESS AUTHORIZED IN WRITING BY CONXALL CORPORATION.

APPROVED BY: _____
 DATE: _____

A	PAK	08/20/19	DRAWING CREATED AND RELEASED PER DOR 10-2523JS-1	
REV.	INIT.	DATE	DESCRIPTION	
	PAK	09/29/14	ORIG. DRAWN BY: _____ DATE: 09/29/14 CHECKED BY: _____ APPROVED BY: _____ SCALE: NTS SIZE: B SHEET: 1 OF 1 FILE: W5282-1XSG-5XX DIRECTORY: SLW	
ALL INFORMATION ILLUSTRATED IS THE PROPERTY OF "CONXALL CORPORATION". UNAUTHORIZED DUPLICATION OR DISTRIBUTION OF THIS DOCUMENT IS PROHIBITED. ALL UNITS ARE IN FEET, INCHES, FRACTION OF INCHES AND DECIMALS. UNLESS OTHERWISE SPECIFIED TOLERANCES: 3 PLACE DECIMALS ± .005 ANGLES ± 1° FRACTIONS ± 1/16 ▽ - CRITICAL CHARACTERISTIC FLAG PER SPEC. XXXX			conxall 601 E. WILDWOOD VILLA PARK, IL 60181 TITLE: CABLE TO CABLE CONNECTOR KIT #20 SOCKET CONTACTS (SOLDER), BACKSHELL CLAMP MULTI-CON-X, E-KEY, WEATHER RESISTANT CUSTOMER: STANDARD PRODUCT PART NUMBER: W5282-1XSG-5XX REV: A	

X-ON Electronics

Largest Supplier of Electrical and Electronic Components

Click to view similar products for [Standard Circular Connector](#) category:

Click to view products by [Switchcraft](#) manufacturer:

Other Similar products are found below :

[5M2530B10P](#) [600259N006](#) [600273N007](#) [6134-336-13149](#) [6134-337-11149](#) [6134-337-2390](#) [6134-341-17149](#) [6280-4SG-516](#) [6280-7SG-3DC](#)
[6290](#) [6291A](#) [66200A-10](#) [680-SMG](#) [681-PMG](#) [CXS3102A14S2P](#) [CXS3102A181S](#) [7251-5SG-300](#) [7271-6SG-300](#) [7282-3PG-300-CH3](#) [75-](#)
[474618-01S](#) [75-474618-04P](#) [75-474618-04S](#) [799539-000](#) [MI8-SE](#) [805-005-07NF11-19PC](#) [805-005-07NF15-7PA](#) [8280-4PG-516](#) [8280-7PG-](#)
[519](#) [8282-5PG-519](#) [836783-1](#) [MP-4102-25P-C](#) [862256-1](#) [864019-2](#) [866857-1](#) [867865-1](#) [PT01SP-14-18P](#) [PT08P-14-5S](#) [PTSF06SE-14-12S](#)
[120-1833-000](#) [QCM019PC2DC012B](#) [1-2069279-1](#) [121583-0217](#) [121667-0020](#) [129591AU](#) [1000B BULK](#) [RD10A16-19-P6CS051/1](#)
[RD10A20-31-P8CS051/1](#) [RD16A14-12-S6CS051/2](#) [1301240290](#) [1301240347](#) [1301860202](#)