

CUSTOMER PRINT

PART NUMBER: W6280-XSG-P-3XX

**NOTES:**

1. ALL PARTS TO BE BULK PACKED.
2. CONTACTS SUPPLIED UNASSEMBLED
3. ALL DIMENSIONS ARE REFERENCE EXCEPT THOSE WITH A TOLERANCE
4. DIMENSIONS IN BRACKETS [ ] ARE IN MILLIMETERS

ASS'Y P/N	GROMMET SIZE
W6280-XSG-P-311	CABLE O.D. .09-.14 [2.3 - 3.6]
W6280-XSG-P-315	CABLE O.D. .15-.17 [3.8 - 4.3]
W6280-XSG-P-318	CABLE O.D. .18-.20 [4.6 - 5.1]
W6280-XSG-P-321	CABLE O.D. .21-.23 [5.3 - 5.8]

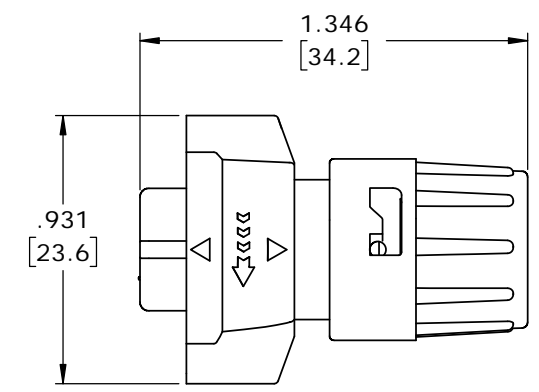
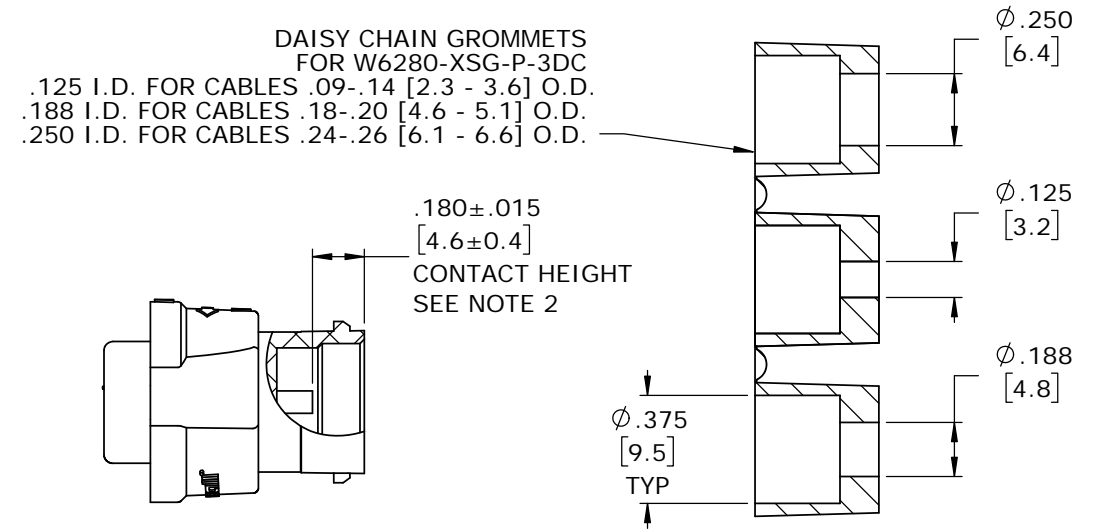
ASSEMBLY P/N	CONTACTS
W6280-2SG-P-3XX	2 #20
W6280-3SG-P-3XX	3 #20
W6280-4SG-P-3XX	4 #20
W6280-5SG-P-3XX	5 #20
W6280-6SG-P-3XX	6 #20
W6280-7SG-P-3XX	7 #20
W6280-8SG-P-3XX	8 #20
W6280-XSG-P-3XX	

**CUSTOMER APPROVAL**

THIS DOCUMENT CONTAINS CONFIDENTIAL INFORMATION PROPRIETARY TO CONXALL CORPORATION. ANY REPRODUCTION, DISCLOSURE, OR USE OF THIS DOCUMENT /INFORMATION IS EXPRESSLY PROHIBITED UNLESS AUTHORIZED IN WRITING BY CONXALL CORPORATION.

APPROVED BY: \_\_\_\_\_

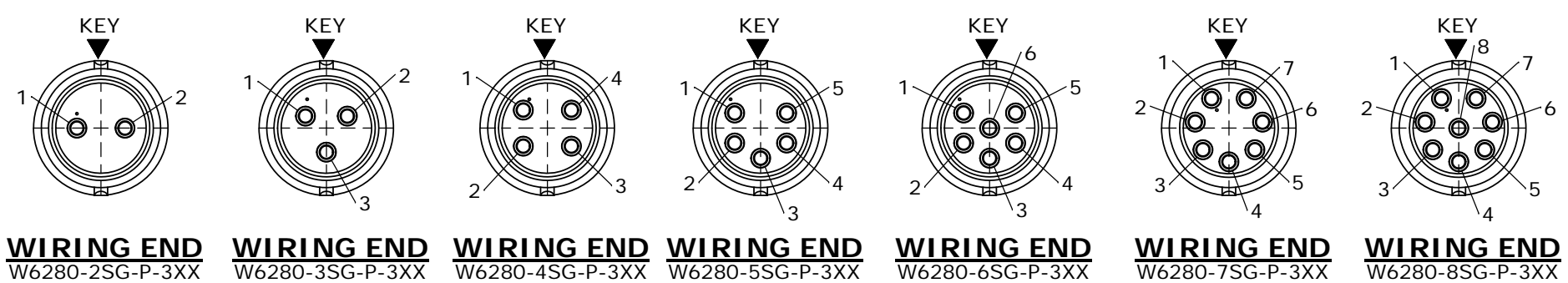
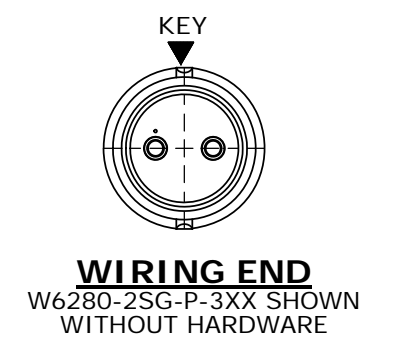
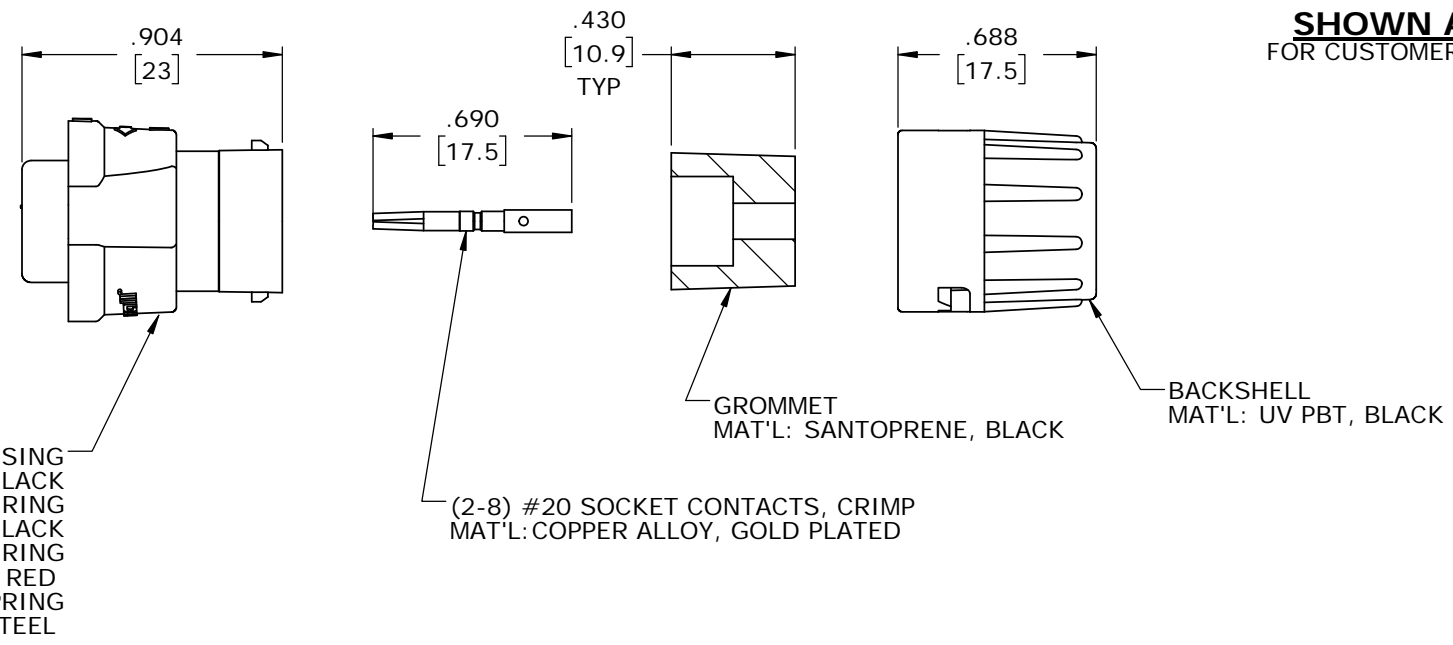
DATE: \_\_\_\_\_



**SHOWN ASSEMBLED**  
FOR CUSTOMER REFERENCE ONLY

GROMMET SIZE FOR SINGLE GROMMET OR "DC" FOR DAISY CHAIN

NUMBER OF CONTACTS



**RoHS COMPLIANT**

MA	02-28-20	RELEASED PER PDR 16014-7	
A	PNK	11-25-19	BACKSHELL P/N 6284 CHANGES TO 6284V4
	PNK	05-10-19	PDR 16014
REV.	INIT.	DATE	DESCRIPTION
ALL INFORMATION ILLUSTRATED IS THE PROPERTY OF CONXALL CORPORATION. UNAUTHORIZED DUPLICATION OR DISTRIBUTION OF THIS DOCUMENT IS PROHIBITED.			ORIG. DRAWN BY: PNK DATE: 05-10-19 CHECKED BY:
ALL UNITS ARE IN FEET, INCHES, FRACTION OF INCHES AND DECIMALS. UNLESS OTHERWISE SPECIFIED TOLERANCES: 3 PLACE DECIMALS ±.010 ANGLES ±1° FRACTIONS ±1/16 - CRITICAL CHARACTERISTIC FLAG PER SPEC. XXXX			APPROVED BY:
SCALE	SIZE	SHEET	TITLE:
NTS	B	1 OF 1	CABLE-END ASSEMBLY
FILE:	DIRECTORY:	PART NUMBER:	2-8 #20 SOCKET CONTACTS, CRIMP INSTA-CLICK™ MINI-CON-X
W6280-XSG-P-3XX	SLW	W6280-XSG-P-3XX	STANDARD PRODUCT
			REV A



## X-ON Electronics

Largest Supplier of Electrical and Electronic Components

*Click to view similar products for [Standard Circular Connector](#) category:*

*Click to view products by [Switchcraft](#) manufacturer:*

Other Similar products are found below :

[5M2530B10P](#) [600259N006](#) [600273N007](#) [6134-336-13149](#) [6134-337-11149](#) [6134-337-2390](#) [6134-341-17149](#) [6280-4SG-516](#) [6280-7SG-3DC](#)  
[6290](#) [6291A](#) [66200A-10](#) [680-SMG](#) [681-PMG](#) [CXS3102A14S2P](#) [CXS3102A181S](#) [7271-6SG-300](#) [7282-3PG-300-CH3](#) [75-474014-05S](#) [75-](#)  
[474618-01S](#) [75-474618-04P](#) [75-474618-04S](#) [799539-000](#) [MI8-SE](#) [805-005-07NF11-19PC](#) [805-005-07NF15-7PA](#) [8280-4PG-516](#) [8280-7PG-](#)  
[519](#) [8282-5PG-519](#) [836783-1](#) [MP-4102-25P-C](#) [862256-1](#) [864019-2](#) [866857-1](#) [867865-1](#) [PT01SP-14-18P](#) [PT08P-14-5S](#) [120-1833-000](#)  
[QCM019PC2DC012B](#) [1-2069279-1](#) [121583-0217](#) [121667-0020](#) [129591AU](#) [1000B BULK](#) [RD10A16-19-P6CS051/1](#) [RD10A20-31-](#)  
[P8CS051/1](#) [RD16A14-12-S6CS051/2](#) [1301240290](#) [1301240347](#) [1301860202](#) [1301240268](#)