

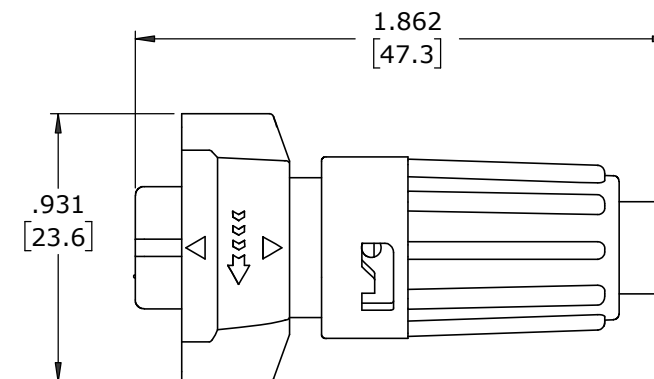
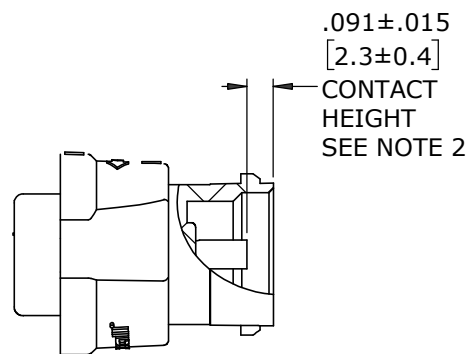
**NOTES:**

1. ALL PARTS TO BE BULK PACKED.
2. CONTACTS SUPPLIED UNASSEMBLED
3. ALL DIMENSIONS ARE REFERENCE ONLY EXCEPT THOSE WITH A TOLERANCE
4. DIMENSIONS IN BRACKETS [ ] ARE IN MILLIMETERS

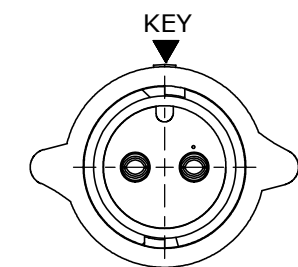
ASS'Y P/N	GROMMET SIZE
W6380-XSG-P-513	.148 GROMMET I.D. FOR CABLE O.D. 0.13 - 0.15 [3.3 - 3.8]
W6380-XSG-P-516	.176 GROMMET I.D. FOR CABLE O.D. 0.16 - 0.18 [4.1 - 4.6]
W6380-XSG-P-519	.206 GROMMET I.D. FOR CABLE O.D. 0.19 - 0.21 [4.8 - 5.3]
W6380-XSG-P-522	.245 GROMMET I.D. FOR CABLE O.D. 0.22 - 0.25 [5.6 - 6.3]
(B) W6380-XSG-P-526	.265 GROMMET I.D. FOR CABLE O.D. 0.25 - 0.27 [6.3 - 6.8]
W6380-XSG-P-528	.280 GROMMET I.D. FOR CABLE O.D. 0.26 - 0.28 [6.6 - 7.1]

ASSEMBLY P/N	CONTACTS
W6380-2SG-P-5XX	2 #16
W6380-3SG-P-5XX	3 #16
W6380-4SG-P-5XX	4 #16
W6380-5SG-P-5XX	5 #16
W6380-XSG-P-5XX	

GROMMET SIZE  
NUMBER OF CONTACTS

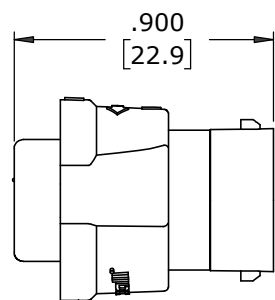


**SHOWN ASSEMBLED**  
FOR CUSTOMER REFERENCE ONLY

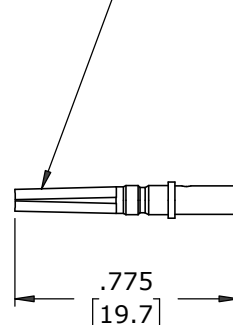


**MATING FACE**  
W6380-2SG-P-5XX SHOWN

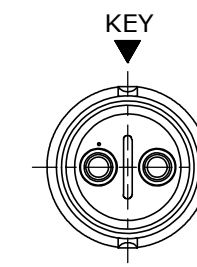
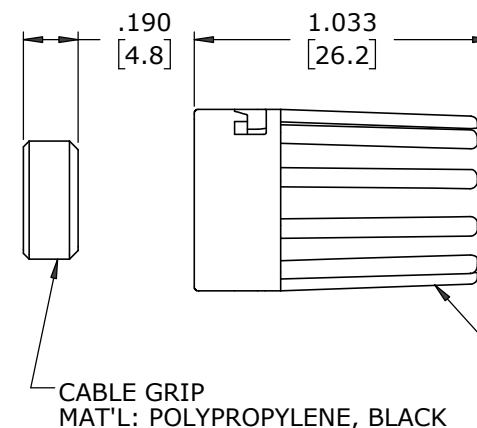
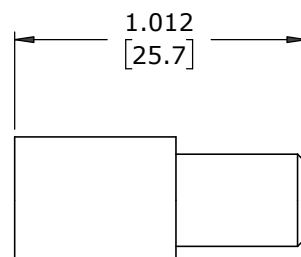
CABLE-END HOUSING  
MAT'L: UV PBT, BLACK  
COUPLING RING  
MAT'L: UV PBT, BLACK  
O-RING  
MAT'L: SILICONE, RED  
SPRING  
MAT'L: STAINLESS STEEL



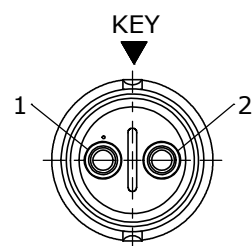
(2-5) #16 SOCKET CONTACTS, CRIMP  
MAT'L: COPPER ALLOY, GOLD PLATED



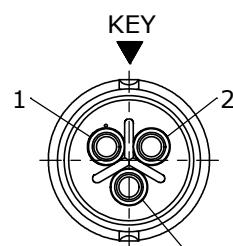
GROMMET  
MAT'L: SANTOPRENE, BLACK



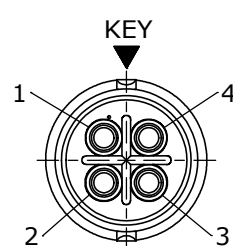
**WIRING END**  
W6380-2SG-P-5XX SHOWN  
WITHOUT HARDWARE



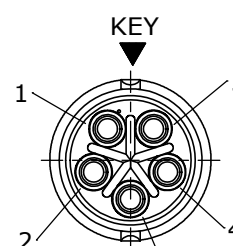
**WIRING END**  
W6380-2SG-P-5XX



**WIRING END**  
W6380-3SG-P-5XX



**WIRING END**  
W6380-4SG-P-5XX



**WIRING END**  
W6380-5SG-P-528

**CUSTOMER APPROVAL**

THIS DOCUMENT CONTAINS CONFIDENTIAL INFORMATION PROPRIETARY TO CONXALL CORPORATION. ANY REPRODUCTION, DISCLOSURE, OR USE OF THIS DOCUMENT /INFORMATION IS EXPRESSLY PROHIBITED UNLESS AUTHORIZED IN WRITING BY CONXALL CORPORATION.

APPROVED BY: \_\_\_\_\_  
DATE: \_\_\_\_\_

**RoHS COMPLIANT**

B	MA	02-24-21	ADDED W6380-XSG-P-526 TO CHART PER ECR 9544
A	MA	03-02-20	RELEASED PER PDR 16014-7
	PNK	01-15-18	PDR 16014
REV.	INIT.	DATE	DESCRIPTION
			ALL INFORMATION ILLUSTRATED IS THE PROPERTY OF "CONXALL CORPORATION". UNAUTHORIZED DUPLICATION OR DISTRIBUTION OF THIS DOCUMENT IS PROHIBITED.
			ORIG. DRAWN BY: PNK DATE: 01-15-18
			CHECKED BY: _____
			APPROVED BY: _____
			ALL UNITS ARE IN FEET, INCHES, FRACTION OF INCHES AND DECIMALS. UNLESS OTHERWISE SPECIFIED TOLERANCES: 3 PLACE DECIMALS ±.010 ANGLES 5/16 FRACTIONS ±1/16 - CRITICAL CHARACTERISTIC FLAG PER SPEC. XXXX
	SCALE	SIZE	SHEET
	NTS	B	1 OF 1
	FILE:	DIRECTORY:	PART NUMBER:
	W6380-XSG-P-5XX	SLW	W6380-XSG-P-5XX
			TITLE: CABLE-END ASSEMBLY 2-5 #16 SOCKET CONTACTS, CRIMP INSTA-CLICK™ MINI-CON-X STANDARD PRODUCT
			601 E. WILDWOOD VILLA PARK, IL 60181
			REV B

## X-ON Electronics

Largest Supplier of Electrical and Electronic Components

*Click to view similar products for [Standard Circular Connector](#) category:*

*Click to view products by [Switchcraft](#) manufacturer:*

Other Similar products are found below :

[5M2530B10P](#) [600259N006](#) [600273N007](#) [6134-336-13149](#) [6134-337-11149](#) [6134-337-2390](#) [6134-341-17149](#) [6280-4SG-516](#) [6280-7SG-3DC](#)  
[6290](#) [6291A](#) [66200A-10](#) [680-SMG](#) [681-PMG](#) [CXS3102A14S2P](#) [CXS3102A181S](#) [7251-5SG-300](#) [7271-6SG-300](#) [7282-3PG-300-CH3](#) [75-](#)  
[474618-01S](#) [75-474618-04P](#) [75-474618-04S](#) [799539-000](#) [MI8-SE](#) [805-005-07NF11-19PC](#) [805-005-07NF15-7PA](#) [8280-4PG-516](#) [8280-7PG-](#)  
[519](#) [8282-5PG-519](#) [836783-1](#) [MP-4102-25P-C](#) [862256-1](#) [864019-2](#) [866857-1](#) [867865-1](#) [PT01SP-14-18P](#) [PT08P-14-5S](#) [PTSF06SE-14-12S](#)  
[120-1833-000](#) [QCM019PC2DC012B](#) [1-2069279-1](#) [121583-0217](#) [121667-0020](#) [129591AU](#) [1000B BULK](#) [RD10A16-19-P6CS051/1](#)  
[RD10A20-31-P8CS051/1](#) [RD16A14-12-S6CS051/2](#) [1301240290](#) [1301240347](#) [1301860202](#)