

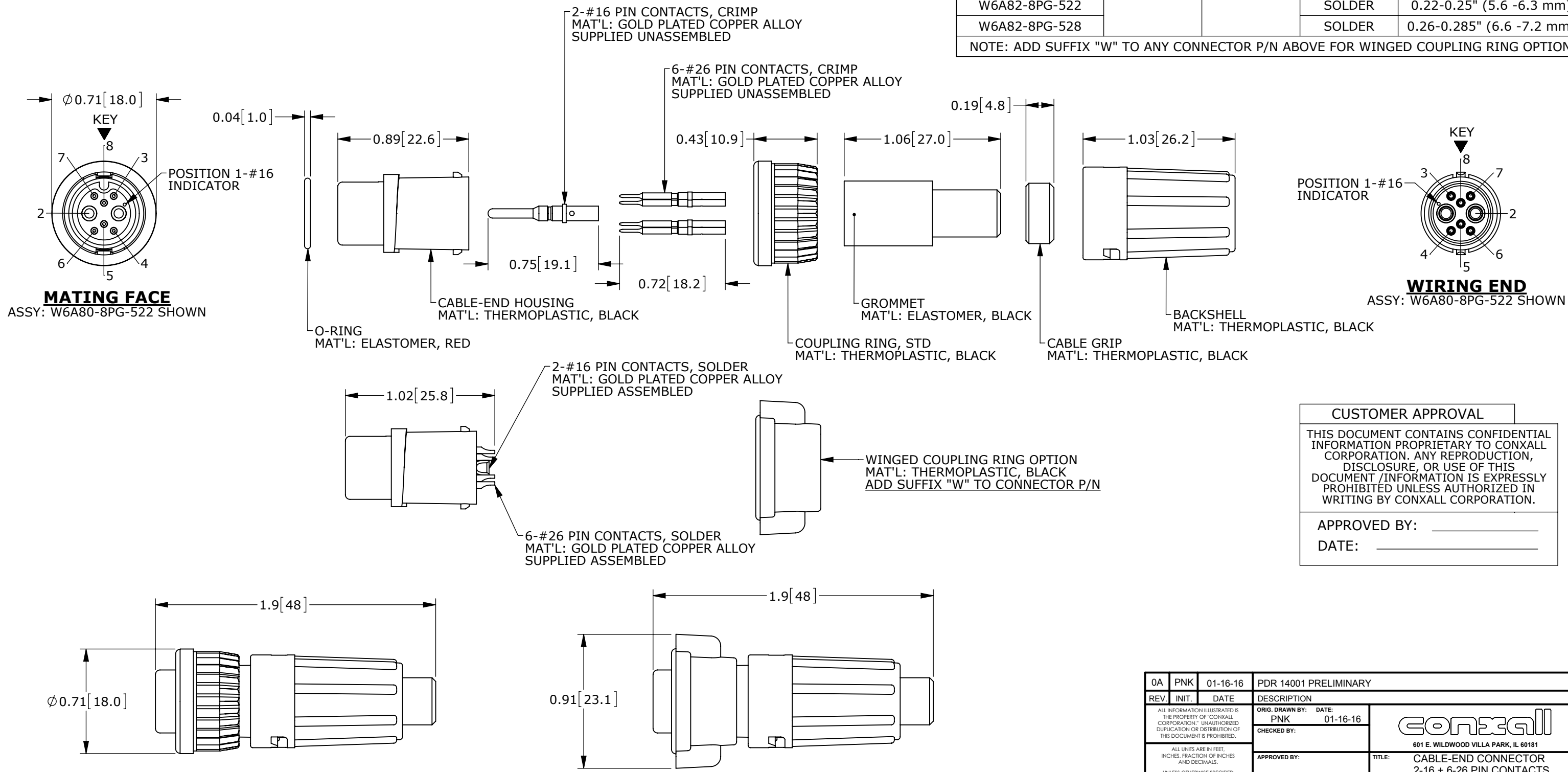
NOTES:
 1. ALL PARTS TO BE BULK PACKED.
 2. SEE DRAWING HPMIMIX FOR HOLE PATTERN.
 3. DIMENSIONS ARE FOR REFERENCE ONLY.

CONNECTOR P/N	POSITIONS		CONTACT STYLE	CABLE O.D. RANGE
	#16	#26		
W6A80-8PG-513	2	6	CRIMP	0.13-0.15" (3.3 -3.8 mm)
W6A80-8PG-516			CRIMP	0.16-0.18" (4.1 -4.6 mm)
W6A80-8PG-519			CRIMP	0.19-0.21" (4.8 -5.3 mm)
W6A80-8PG-522			CRIMP	0.22-0.25" (5.6 -6.3 mm)
W6A80-8PG-528			CRIMP	0.26-0.285" (6.6 -7.2 mm)
W6A82-8PG-513			SOLDER	0.13-0.15" (3.3 -3.8 mm)
W6A82-8PG-516			SOLDER	0.16-0.18" (4.1 -4.6 mm)
W6A82-8PG-519			SOLDER	0.19-0.21" (4.8 -5.3 mm)
W6A82-8PG-522			SOLDER	0.22-0.25" (5.6 -6.3 mm)
W6A82-8PG-528			SOLDER	0.26-0.285" (6.6 -7.2 mm)

NOTE: ADD SUFFIX "W" TO ANY CONNECTOR P/N ABOVE FOR WINGED COUPLING RING OPTION

CUSTOMER PRINT

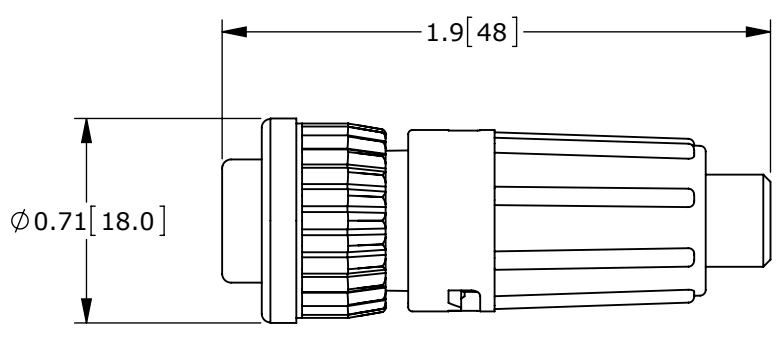
PART NUMBER: W6A8X-8PG-5XX_CD



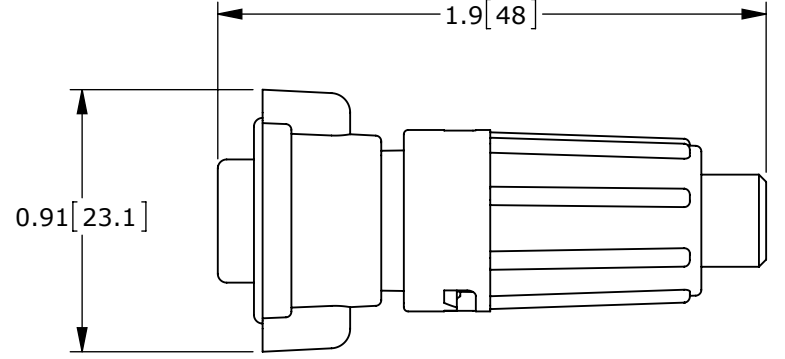
CUSTOMER APPROVAL

THIS DOCUMENT CONTAINS CONFIDENTIAL INFORMATION PROPRIETARY TO CONXALL CORPORATION. ANY REPRODUCTION, DISCLOSURE, OR USE OF THIS DOCUMENT /INFORMATION IS EXPRESSLY PROHIBITED UNLESS AUTHORIZED IN WRITING BY CONXALL CORPORATION.

APPROVED BY: _____
 DATE: _____



SHOWN ASSEMBLED WITH STANDARD COUPLING RING



SHOWN ASSEMBLED WITH WINGED COUPLING RING

RoHS COMPLIANT

0A	PNK	01-16-16	PDR 14001 PRELIMINARY
REV.	INIT.	DATE	DESCRIPTION
	PNK	01-16-16	ALL INFORMATION ILLUSTRATED IS THE PROPERTY OF CONXALL CORPORATION. UNAUTHORIZED DUPLICATION OR DISTRIBUTION OF THIS DOCUMENT IS PROHIBITED.
APPROVED BY:		DATE:	 601 E. WILDWOOD VILLA PARK, IL 60181
TITLE:		CABLE-END CONNECTOR	
SCALE:		SIZE:	SHEET:
NTS		B	1 OF 1
FILE:		DIRECTORY:	PART NUMBER:
W6A8X-8PG-5XX_CD		SLW	W6A8X-8PG-5XX_CD
CUSTOMER: STANDARD PRODUCT			REV: 0A

X-ON Electronics

Largest Supplier of Electrical and Electronic Components

Click to view similar products for [Standard Circular Connector](#) category:

Click to view products by [Switchcraft](#) manufacturer:

Other Similar products are found below :

[5M2530B10P](#) [600259N006](#) [600273N007](#) [6134-336-13149](#) [6134-337-11149](#) [6134-337-2390](#) [6134-341-17149](#) [6280-4SG-516](#) [6280-7SG-3DC](#)
[6290](#) [6291A](#) [66200A-10](#) [680-SMG](#) [681-PMG](#) [CXS3102A14S2P](#) [CXS3102A181S](#) [7271-6SG-300](#) [7282-3PG-300-CH3](#) [75-474014-05S](#) [75-](#)
[474618-01S](#) [75-474618-04P](#) [75-474618-04S](#) [799539-000](#) [MI8-SE](#) [805-005-07NF11-19PC](#) [805-005-07NF15-7PA](#) [8280-4PG-516](#) [8280-7PG-](#)
[519](#) [8282-5PG-519](#) [836783-1](#) [MP-4102-25P-C](#) [862256-1](#) [864019-2](#) [866857-1](#) [867865-1](#) [PT01SP-14-18P](#) [PT08P-14-5S](#) [120-1833-000](#)
[QCM019PC2DC012B](#) [1-2069279-1](#) [121583-0217](#) [121667-0020](#) [129591AU](#) [1000B BULK](#) [RD10A16-19-P6CS051/1](#) [RD10A20-31-](#)
[P8CS051/1](#) [RD16A14-12-S6CS051/2](#) [1301240290](#) [1301240347](#) [1301860202](#) [1301240268](#)