

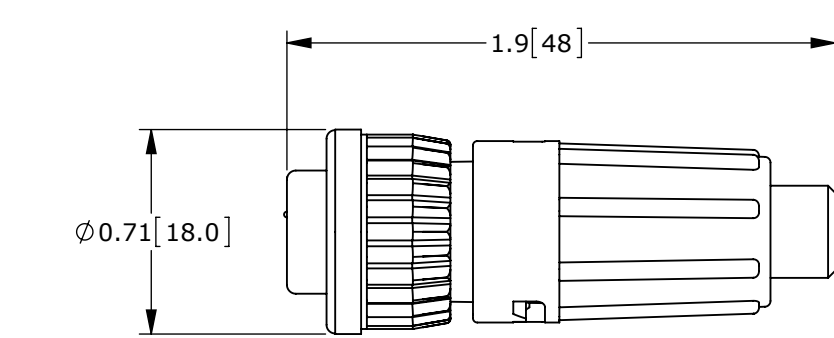
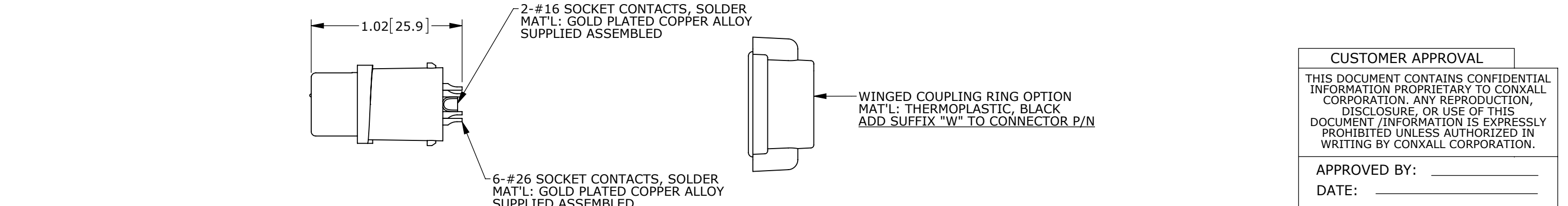
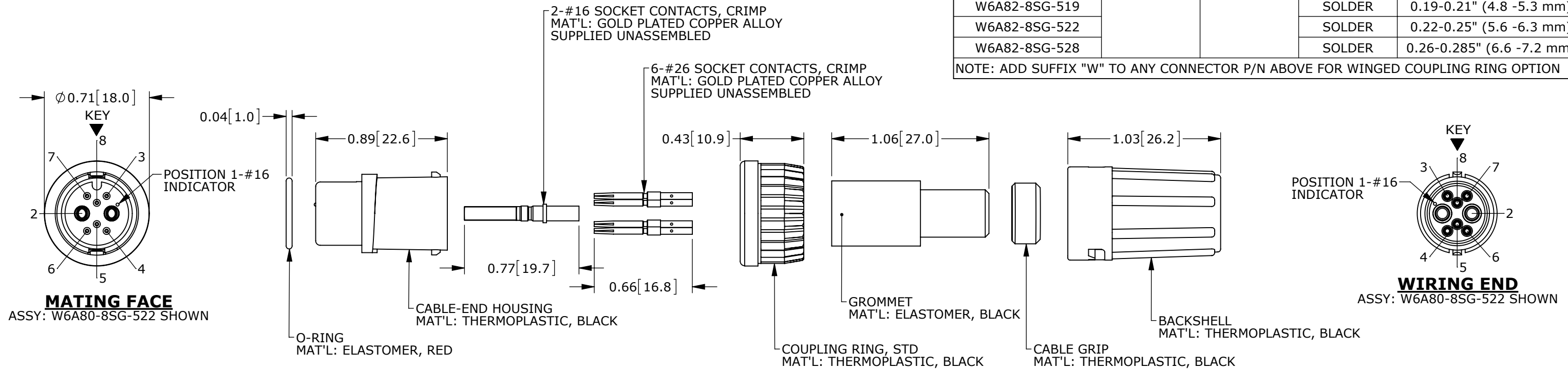
CUSTOMER PRINT

PART NUMBER: W6A8X-8SG-5XX\_CD

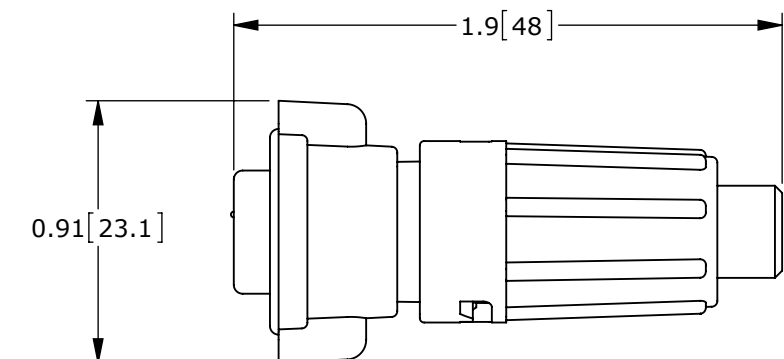
NOTES:  
 1. ALL PARTS TO BE BULK PACKED.  
 2. SEE DRAWING HPMIMIX FOR HOLE PATTERN.  
 3. DIMENSIONS ARE FOR REFERENCE ONLY.

CONNECTOR P/N	POSITIONS		CONTACT STYLE	CABLE O.D. RANGE
	#16	#26		
W6A80-8SG-513	2	6	CRIMP	0.13-0.15" (3.3 -3.8 mm)
W6A80-8SG-516			CRIMP	0.16-0.18" (4.1 -4.6 mm)
W6A80-8SG-519			CRIMP	0.19-0.21" (4.8 -5.3 mm)
W6A80-8SG-522			CRIMP	0.22-0.25" (5.6 -6.3 mm)
W6A80-8SG-528			CRIMP	0.26-0.285" (6.6 -7.2 mm)
W6A82-8SG-513			SOLDER	0.13-0.15" (3.3 -3.8 mm)
W6A82-8SG-516			SOLDER	0.16-0.18" (4.1 -4.6 mm)
W6A82-8SG-519			SOLDER	0.19-0.21" (4.8 -5.3 mm)
W6A82-8SG-522			SOLDER	0.22-0.25" (5.6 -6.3 mm)
W6A82-8SG-528			SOLDER	0.26-0.285" (6.6 -7.2 mm)

NOTE: ADD SUFFIX "W" TO ANY CONNECTOR P/N ABOVE FOR WINGED COUPLING RING OPTION



SHOWN ASSEMBLED WITH STANDARD COUPLING RING



SHOWN ASSEMBLED WITH WINGED COUPLING RING

**CUSTOMER APPROVAL**

THIS DOCUMENT CONTAINS CONFIDENTIAL INFORMATION PROPRIETARY TO CONXALL CORPORATION. ANY REPRODUCTION, DISCLOSURE, OR USE OF THIS DOCUMENT /INFORMATION IS EXPRESSLY PROHIBITED UNLESS AUTHORIZED IN WRITING BY CONXALL CORPORATION.

APPROVED BY: \_\_\_\_\_

DATE: \_\_\_\_\_

**RoHS COMPLIANT**

0A	PNK	01-19-16	PDR 14001 PRELIMINARY
REV.	INIT.	DATE	DESCRIPTION
	PNK	01-19-16	2-16 + 6-26 SOCKET CONTACTS MINI-CON-X POWER/SIGNAL
<small>ALL INFORMATION ILLUSTRATED IS THE PROPERTY OF CONXALL CORPORATION. UNAUTHORIZED DUPLICATION OR DISTRIBUTION OF THIS DOCUMENT IS PROHIBITED.</small>			<p>601 E. WILDWOOD VILLA PARK, IL 60181</p>
<small>ALL UNITS ARE IN FEET, INCHES, FRACTION OF INCHES AND DECIMALS. UNLESS OTHERWISE SPECIFIED TOLERANCES: 3 PLACE DECIMALS ±.005 ANGLES ±1° FRACTIONS ±1/16</small>			
<small>APPROVED BY:</small>		<small>SCALE</small> NTS	<small>TITLE</small> CABLE-END CONNECTOR
<small>CHECKED BY:</small>		<small>SIZE</small> B	<small>CUSTOMER</small> STANDARD PRODUCT
<small>APPROVED BY:</small>		<small>SHEET</small> 1 OF 1	<small>PART NUMBER</small> W6A8X-8SG-5XX_CD
<small>FILE:</small> W6A8X-8SG-5XX_CD		<small>DIRECTORY:</small> SLW	<small>REV</small> 0A

## X-ON Electronics

Largest Supplier of Electrical and Electronic Components

*Click to view similar products for [Standard Circular Connector](#) category:*

*Click to view products by [Switchcraft](#) manufacturer:*

Other Similar products are found below :

[5M2530B10P](#) [600259N006](#) [600273N007](#) [6134-336-13149](#) [6134-337-11149](#) [6134-337-2390](#) [6134-341-17149](#) [6280-4SG-516](#) [6280-7SG-3DC](#)  
[6290](#) [6291A](#) [66200A-10](#) [680-SMG](#) [681-PMG](#) [CXS3102A14S2P](#) [CXS3102A181S](#) [7271-6SG-300](#) [7282-3PG-300-CH3](#) [75-474014-05S](#) [75-](#)  
[474618-01S](#) [75-474618-04P](#) [75-474618-04S](#) [799539-000](#) [MI8-SE](#) [805-005-07NF11-19PC](#) [805-005-07NF15-7PA](#) [8280-4PG-516](#) [8280-7PG-](#)  
[519](#) [8282-5PG-519](#) [836783-1](#) [MP-4102-25P-C](#) [862256-1](#) [864019-2](#) [866857-1](#) [867865-1](#) [PT01SP-14-18P](#) [PT08P-14-5S](#) [120-1833-000](#)  
[QCM019PC2DC012B](#) [1-2069279-1](#) [121583-0217](#) [121667-0020](#) [129591AU](#) [1000B BULK](#) [RD10A16-19-P6CS051/1](#) [RD10A20-31-](#)  
[P8CS051/1](#) [RD16A14-12-S6CS051/2](#) [1301240290](#) [1301240347](#) [1301860202](#) [1301240268](#)