

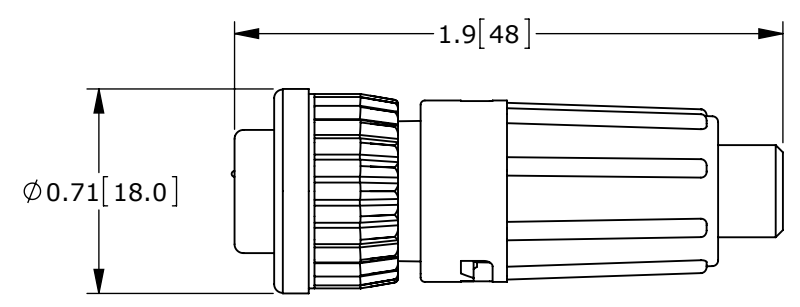
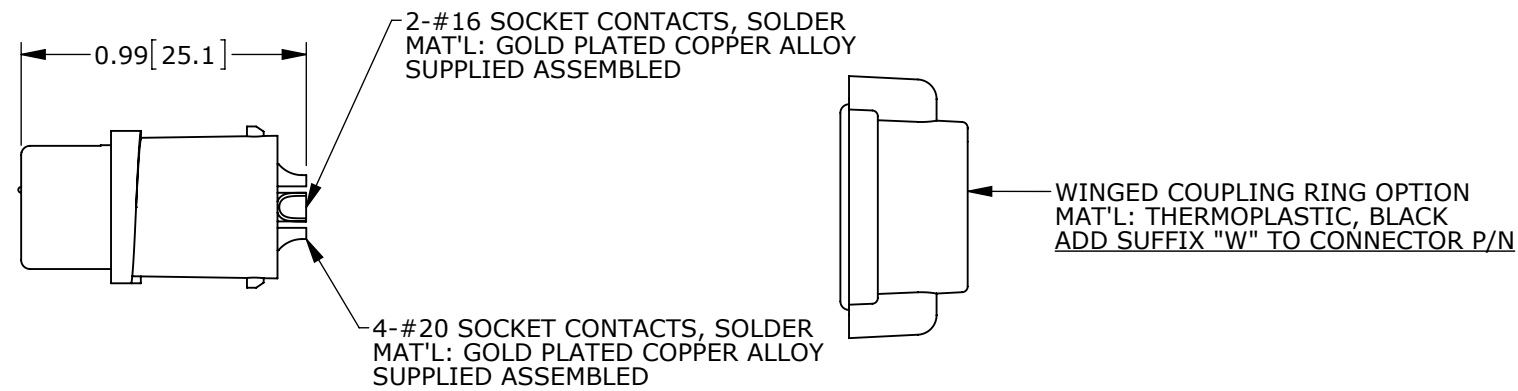
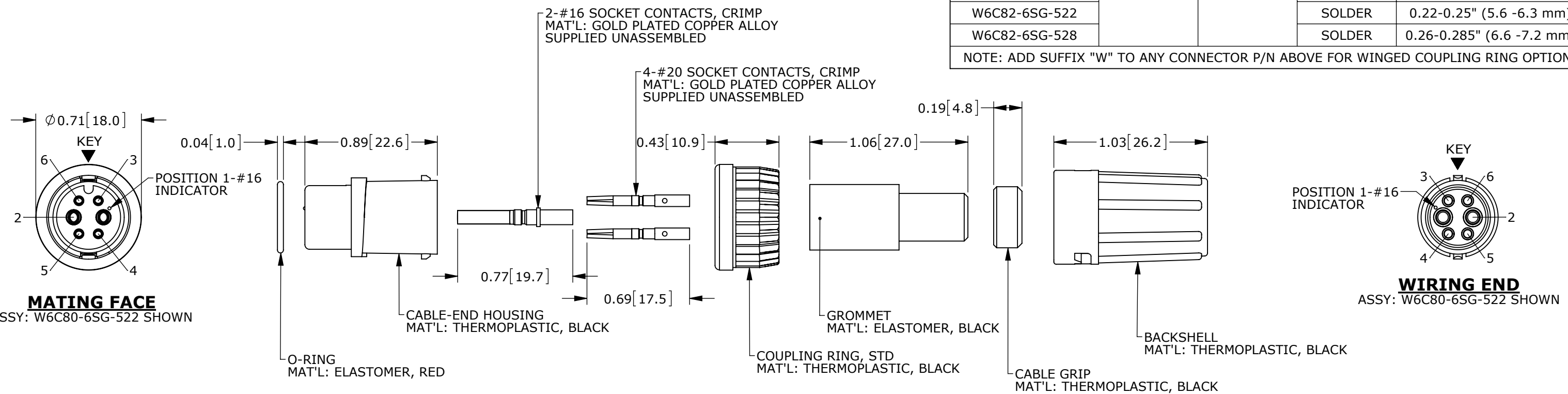
CUSTOMER PRINT

PART NUMBER: W6C8X-6SG-5XX_CD

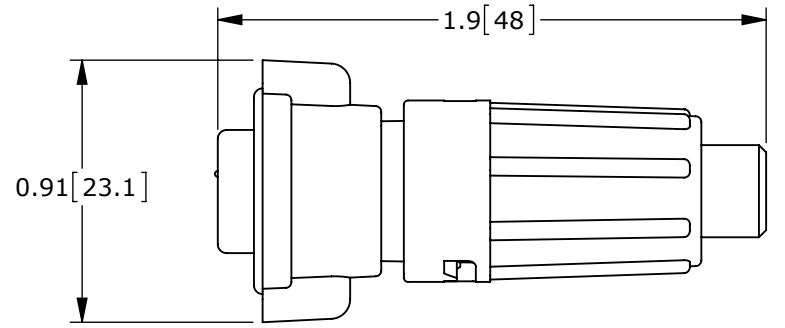
NOTES:
 1. ALL PARTS TO BE BULK PACKED.
 2. SEE DRAWING HPMIMIX FOR HOLE PATTERN.
 3. DIMENSIONS ARE FOR REFERENCE ONLY.

CONNECTOR P/N	POSITIONS		CONTACT STYLE	CABLE O.D. RANGE
	#16	#20		
W6C80-6SG-513	2	4	CRIMP	0.13-0.15" (3.3 -3.8 mm)
W6C80-6SG-516			CRIMP	0.16-0.18" (4.1 -4.6 mm)
W6C80-6SG-519			CRIMP	0.19-0.21" (4.8 -5.3 mm)
W6C80-6SG-522			CRIMP	0.22-0.25" (5.6 -6.3 mm)
W6C80-6SG-528			CRIMP	0.26-0.285" (6.6 -7.2 mm)
W6C82-6SG-513			SOLDER	0.13-0.15" (3.3 -3.8 mm)
W6C82-6SG-516			SOLDER	0.16-0.18" (4.1 -4.6 mm)
W6C82-6SG-519			SOLDER	0.19-0.21" (4.8 -5.3 mm)
W6C82-6SG-522			SOLDER	0.22-0.25" (5.6 -6.3 mm)
W6C82-6SG-528			SOLDER	0.26-0.285" (6.6 -7.2 mm)

NOTE: ADD SUFFIX "W" TO ANY CONNECTOR P/N ABOVE FOR WINGED COUPLING RING OPTION



SHOWN ASSEMBLED WITH STANDARD COUPLING RING



SHOWN ASSEMBLED WITH WINGED COUPLING RING

RoHS COMPLIANT

CUSTOMER APPROVAL

THIS DOCUMENT CONTAINS CONFIDENTIAL INFORMATION PROPRIETARY TO CONXALL CORPORATION. ANY REPRODUCTION, DISCLOSURE, OR USE OF THIS DOCUMENT /INFORMATION IS EXPRESSLY PROHIBITED UNLESS AUTHORIZED IN WRITING BY CONXALL CORPORATION.

APPROVED BY: _____
 DATE: _____

0A	PNK	01-19-16	PDR 14001 PRELIMINARY
REV.	INIT.	DATE	DESCRIPTION
			ALL INFORMATION ILLUSTRATED IS THE PROPERTY OF "CONXALL CORPORATION". UNAUTHORIZED DUPLICATION OR DISTRIBUTION OF THIS DOCUMENT IS PROHIBITED.
			ORIG. DRAWN BY: PNK DATE: 01-19-16
			CHECKED BY:
			APPROVED BY:
			SCALE: NTS SIZE: B SHEET: 1 OF 1
			TITLE: CABLE-END CONNECTOR 2-16 + 4-20 SOCKET CONTACTS MINI-CON-X POWER/SIGNAL
			CUSTOMER: STANDARD PRODUCT
			FILE: W6C8X-6SG-5XX_CD DIRECTORY: SLW PART NUMBER: W6C8X-6SG-5XX_CD
			REV 0A

X-ON Electronics

Largest Supplier of Electrical and Electronic Components

Click to view similar products for [Standard Circular Connector](#) category:

Click to view products by [SWITCHCRAFT](#) manufacturer:

Other Similar products are found below :

[5M2530B10P](#) [600259N006](#) [600273N007](#) [6134-336-13149](#) [6134-337-11149](#) [6134-337-2390](#) [6134-341-17149](#) [6280-4SG-516](#) [6280-7SG-3DC](#)
[6290](#) [6291A](#) [66200A-10](#) [680-SMG](#) [681-PMG](#) [CXS3102A14S2P](#) [CXS3102A181S](#) [7271-6SG-300](#) [7282-3PG-300-CH3](#) [75-474014-05S](#) [75-](#)
[474618-01S](#) [75-474618-04P](#) [75-474618-04S](#) [799539-000](#) [MI8-SE](#) [805-005-07NF11-19PC](#) [805-005-07NF15-7PA](#) [8280-4PG-516](#) [8280-7PG-](#)
[519](#) [8282-5PG-519](#) [836783-1](#) [MP-4102-25P-C](#) [862256-1](#) [864019-2](#) [866857-1](#) [867865-1](#) [PT01SP-14-18P](#) [PT08P-14-5S](#) [120-1833-000](#)
[QCM019PC2DC012B](#) [1-2069279-1](#) [121583-0217](#) [121667-0020](#) [129591AU](#) [1000B BULK](#) [RD10A16-19-P6CS051/1](#) [RD10A20-31-](#)
[P8CS051/1](#) [RD16A14-12-S6CS051/2](#) [1301240290](#) [1301240347](#) [1301860202](#) [1301240268](#)