

CUSTOMER PRINT

PART NUMBER: W738X-XSG-P-3XX_CD

NOTES:

1. CRIMP CONTACTS SUPPLIED UNASSEMBLED AND WITHOUT EPOXY BACKING.
2. REFER TO DRAWING HPMISTD FOR CONTACT PATTERNS.
3. HEX-NUT TORQUE: 8-10 IN-LB.
4. DIMENSIONS ARE REFERENCE ONLY, IN INCHES [mm], WITHIN ±0.015 UNLESS OTHERWISE NOTED.

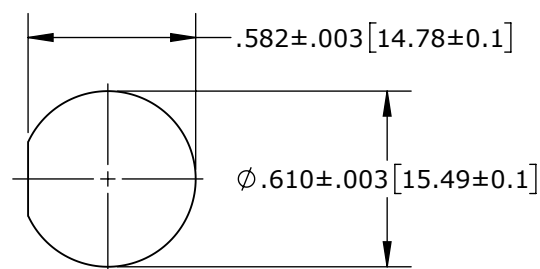
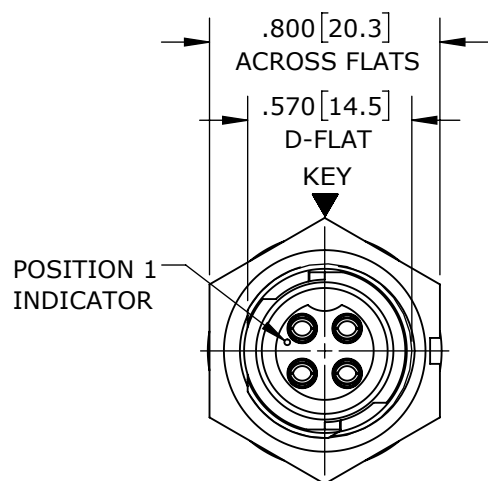
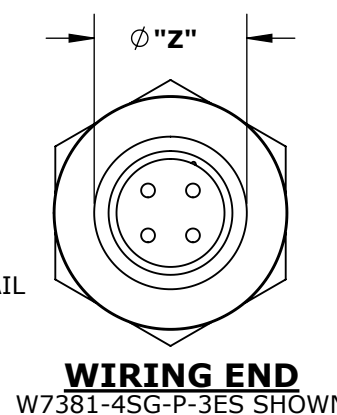
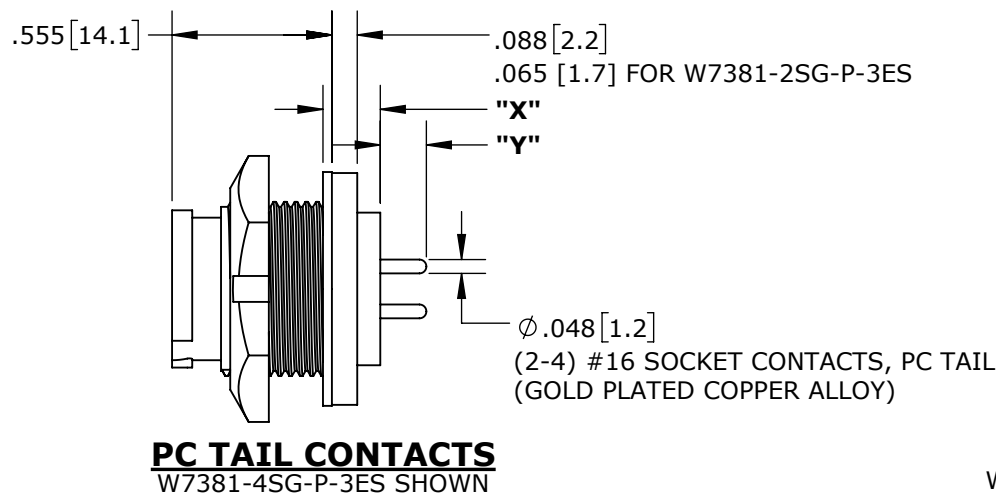
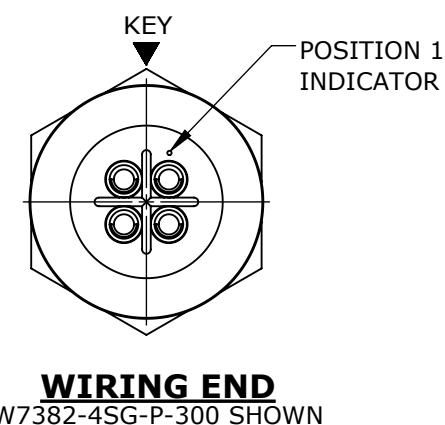
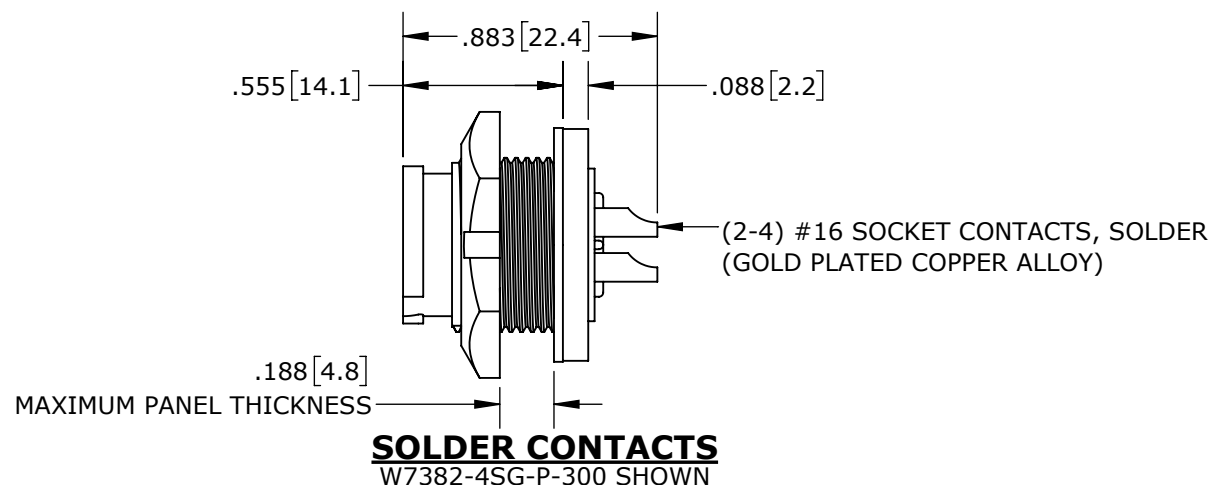
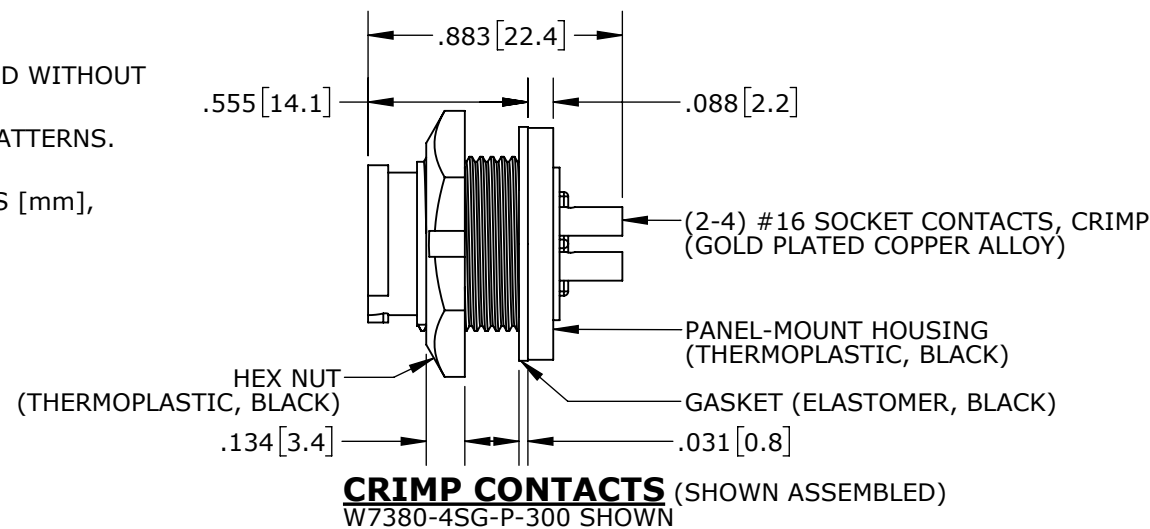
PANEL-MOUNT CONNECTOR PART NUMBERS:

W 7 3 8 X - X S G - P - 3XX

CONTACTS STYLE:
 0 = CRIMP
 2 = SOLDER
 1 = PC TAIL

OF CONTACTS:
 2-4 #16 SOCKETS

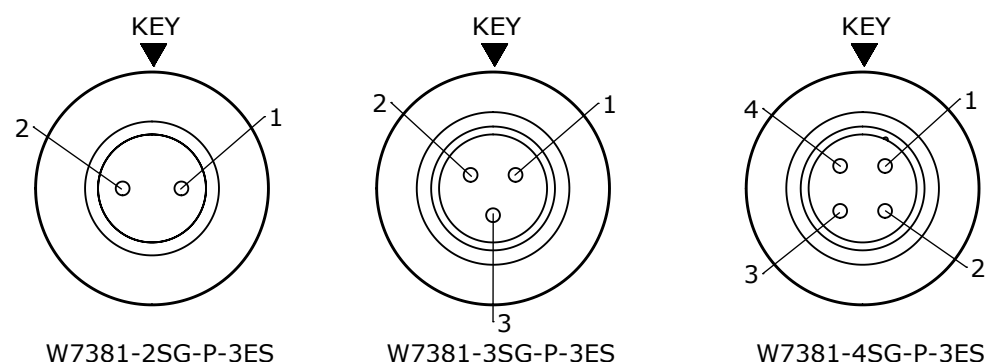
EPOXY BACKING:
 3ES = WITH EPOXY
 300 = WITHOUT EPOXY



PC CONTACT CONNECTORS DIMENSIONING:

PART NUMBER	"X"	"Y"	"Z"
W7381-2SG-P-300			
W7381-3SG-P-300	.171 [4.3]	.188 [4.8]	.530 [13.5]
W7381-4SG-P-300			
W7381-2SG-P-3ES	.193 [4.9]	.166 [4.2]	.465 [11.8]
W7381-3SG-P-3ES			
W7381-4SG-P-3ES	.199 [5.1]	.160 [4.1]	.530 [13.5]

RECOMMENDED PANEL CUTOUT



CONTACT ARRANGEMENTS (WIRING END SHOWN)

CUSTOMER APPROVAL

THIS DOCUMENT CONTAINS CONFIDENTIAL INFORMATION PROPRIETARY TO CONXALL CORPORATION. ANY REPRODUCTION, DISCLOSURE, OR USE OF THIS DOCUMENT /INFORMATION IS EXPRESSLY PROHIBITED UNLESS AUTHORIZED IN WRITING BY CONXALL CORPORATION.

APPROVED BY: _____
 DATE: _____

RoHS COMPLIANT

0A	PNK	01-12-18	PDR16014
REV.	INIT.	DATE	DESCRIPTION
	PNK	01-12-18	
ALL INFORMATION ILLUSTRATED IS THE PROPERTY OF "CONXALL CORPORATION". UNAUTHORIZED DUPLICATION OR DISTRIBUTION OF THIS DOCUMENT IS PROHIBITED.			
ALL UNITS ARE IN FEET, INCHES, FRACTION OF INCHES AND DECIMALS.			
APPROVED BY:		TITLE: PANEL-MOUNT CONNECTOR	
SCALE: NTS		2-4 #16 SOCKET CONTACTS	
SIZE: B		INSTA-CLICK™ MINI-CON-X	
SHEET: 1 OF 1		STANDARD PRODUCT	
FILE: W738X-XSG-P-3XX_CD	DIRECTORY: SLW	PART NUMBER: W738X-XSG-P-3XX	REV 0A

X-ON Electronics

Largest Supplier of Electrical and Electronic Components

Click to view similar products for [Standard Circular Connector](#) category:

Click to view products by [Switchcraft](#) manufacturer:

Other Similar products are found below :

[5M2530B10P](#) [600259N006](#) [600273N007](#) [6134-336-13149](#) [6134-337-11149](#) [6134-337-2390](#) [6134-341-17149](#) [6280-4SG-516](#) [6280-7SG-3DC](#)
[6290](#) [6291A](#) [66200A-10](#) [680-SMG](#) [681-PMG](#) [CXS3102A14S2P](#) [CXS3102A181S](#) [7271-6SG-300](#) [7282-3PG-300-CH3](#) [75-474014-05S](#) [75-](#)
[474618-01S](#) [75-474618-04P](#) [75-474618-04S](#) [799539-000](#) [MI8-SE](#) [805-005-07NF11-19PC](#) [805-005-07NF15-7PA](#) [8280-4PG-516](#) [8280-7PG-](#)
[519](#) [8282-5PG-519](#) [836783-1](#) [MP-4102-25P-C](#) [862256-1](#) [864019-2](#) [866857-1](#) [867865-1](#) [PT01SP-14-18P](#) [PT08P-14-5S](#) [120-1833-000](#)
[QCM019PC2DC012B](#) [1-2069279-1](#) [121583-0217](#) [121667-0020](#) [129591AU](#) [1000B BULK](#) [RD10A16-19-P6CS051/1](#) [RD10A20-31-](#)
[P8CS051/1](#) [RD16A14-12-S6CS051/2](#) [1301240290](#) [1301240347](#) [1301860202](#) [1301240268](#)