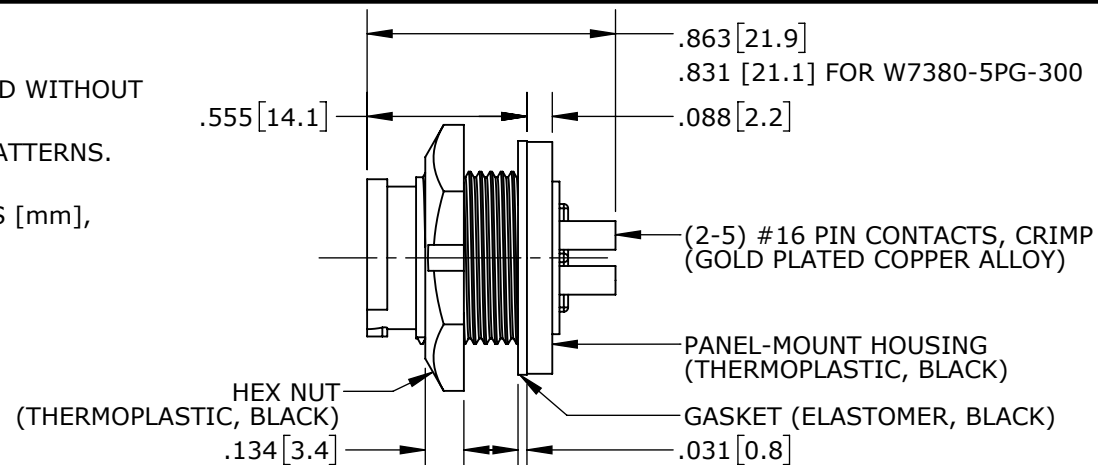


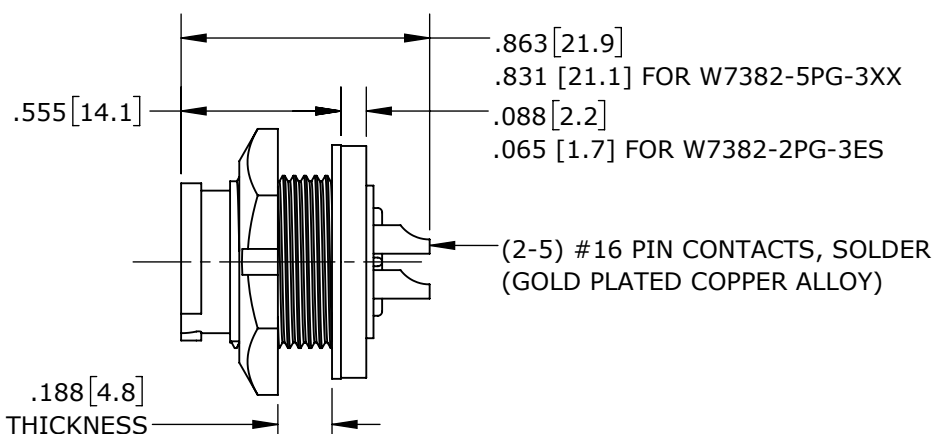
CUSTOMER PRINT

PART NUMBER: W738X-XPG-P-3XX\_CD

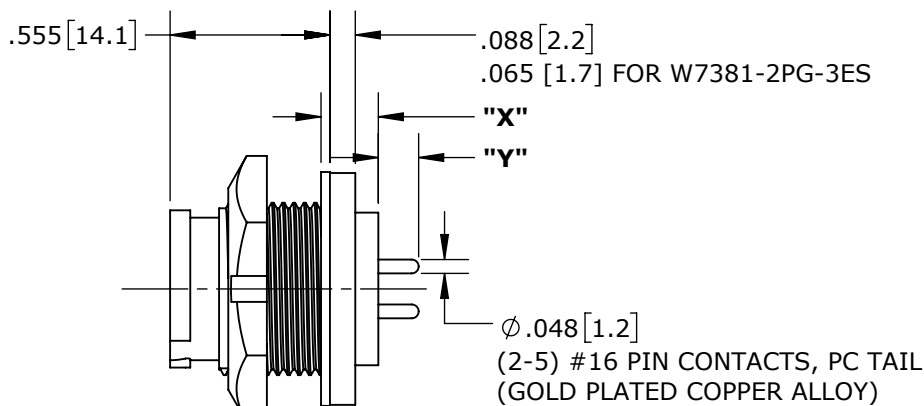
- NOTES:
1. CRIMP CONTACTS SUPPLIED UNASSEMBLED AND WITHOUT EPOXY BACKING.
  2. REFER TO DRAWING HPMISTD FOR CONTACT PATTERNS.
  3. HEX-NUT TORQUE: 8-10 IN-LB.
  4. DIMENSIONS ARE REFERENCE ONLY, IN INCHES [mm], WITHIN ±0.015 UNLESS OTHERWISE NOTED.



**CRIMP CONTACTS** (SHOWN ASSEMBLED)  
W7380-4PG-P-300 SHOWN



**SOLDER CONTACTS**  
W7382-4PG-P-300 SHOWN



**PC TAIL CONTACTS**  
W7381-4PG-P-3ES SHOWN

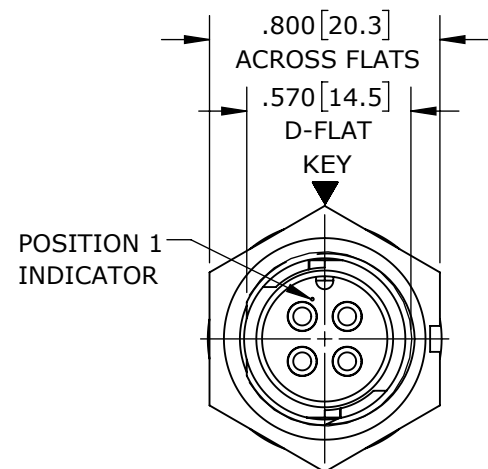
**PANEL-MOUNT CONNECTOR PART NUMBERS:**

**W 7 3 8 X - X P G - P - 3XX**

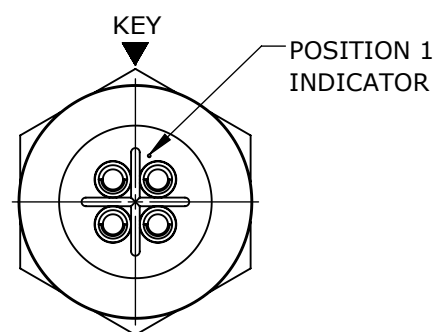
CONTACTS STYLE:  
0 = CRIMP  
2 = SOLDER  
1 = PC TAIL

# OF CONTACTS:  
2-5 #16 PINS

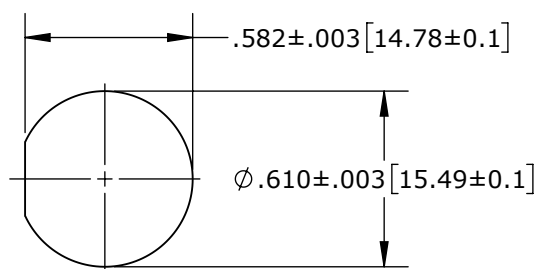
EPOXY BACKING:  
3ES = WITH EPOXY  
300 = WITHOUT EPOXY



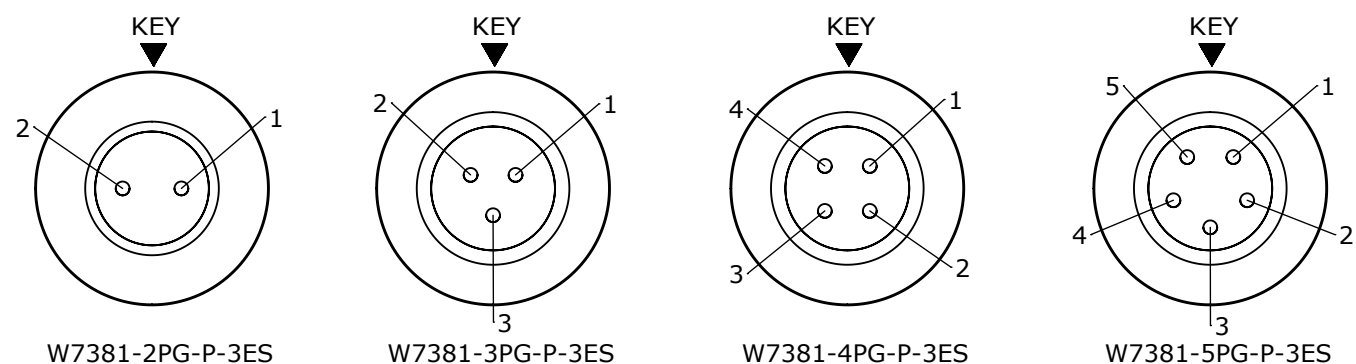
**MATING FACE**  
W7382-4PG-P-300 SHOWN



**WIRING END**  
W7382-4PG-P-300 SHOWN



**RECOMMENDED PANEL CUTOUT**



**CONTACT ARRANGEMENTS (WIRING END SHOWN)**

PC CONTACT CONNECTORS DIMENSIONING:			
PART NUMBER	"X"	"Y"	"Z"
W7381-2PG-P-300			.530 [13.5]
W7381-3PG-P-300	.174 [4.4]	.165 [4.2]	
W7381-4PG-P-300			
W7381-5PG-P-300	.124 [3.1]	.183 [4.6]	
W7381-2PG-P-3ES	.191 [4.9]	.148 [3.8]	.464 [11.8]
W7381-3PG-P-3ES	.199 [5.1]	.140 [3.6]	.530 [13.5]
W7381-4PG-P-3ES			
W7381-5PG-P-3ES	.159 [4.0]	.148 [3.8]	

**CUSTOMER APPROVAL**

THIS DOCUMENT CONTAINS CONFIDENTIAL INFORMATION PROPRIETARY TO CONXALL CORPORATION. ANY REPRODUCTION, DISCLOSURE, OR USE OF THIS DOCUMENT / INFORMATION IS EXPRESSLY PROHIBITED UNLESS AUTHORIZED IN WRITING BY CONXALL CORPORATION.

APPROVED BY: \_\_\_\_\_  
DATE: \_\_\_\_\_

**RoHS COMPLIANT**

0A	PNK	01-12-18	PDR16014
REV.	INIT.	DATE	DESCRIPTION
	PNK	01-12-18	
<p>ALL INFORMATION ILLUSTRATED IS THE PROPERTY OF CONXALL CORPORATION. UNAUTHORIZED DUPLICATION OR DISTRIBUTION OF THIS DOCUMENT IS PROHIBITED.</p> <p>ALL UNITS ARE IN FEET, INCHES, FRACTION OF INCHES AND DECIMALS.</p>			
<p>APPROVED BY: _____</p>		<p>CHECKED BY: _____</p>	
<p>SCALE: NTS</p>		<p>TITLE: PANEL-MOUNT CONNECTOR 2-5 #16 PIN CONTACTS INSTA-CLICK™ MINI-CON-X STANDARD PRODUCT</p>	
<p>FILE: W738X-XPG-P-3XX_CD</p>		<p>CUSTOMER: STANDARD PRODUCT</p>	
<p>DIRECTORY: SLW</p>		<p>PART NUMBER: W738X-XPG-P-3XX</p>	
			REV 0A

## X-ON Electronics

Largest Supplier of Electrical and Electronic Components

*Click to view similar products for [Standard Circular Connector](#) category:*

*Click to view products by [Switchcraft](#) manufacturer:*

Other Similar products are found below :

[5M2530B10P](#) [600259N006](#) [600273N007](#) [6134-336-13149](#) [6134-337-11149](#) [6134-337-2390](#) [6134-341-17149](#) [6280-4SG-516](#) [6280-7SG-3DC](#)  
[6290](#) [6291A](#) [66200A-10](#) [680-SMG](#) [681-PMG](#) [CXS3102A14S2P](#) [CXS3102A181S](#) [7271-6SG-300](#) [7282-3PG-300-CH3](#) [75-474014-05S](#) [75-](#)  
[474618-01S](#) [75-474618-04P](#) [75-474618-04S](#) [799539-000](#) [MI8-SE](#) [805-005-07NF11-19PC](#) [805-005-07NF15-7PA](#) [8280-4PG-516](#) [8280-7PG-](#)  
[519](#) [8282-5PG-519](#) [836783-1](#) [MP-4102-25P-C](#) [862256-1](#) [864019-2](#) [866857-1](#) [867865-1](#) [PT01SP-14-18P](#) [PT08P-14-5S](#) [120-1833-000](#)  
[QCM019PC2DC012B](#) [1-2069279-1](#) [121583-0217](#) [121667-0020](#) [129591AU](#) [1000B BULK](#) [RD10A16-19-P6CS051/1](#) [RD10A20-31-](#)  
[P8CS051/1](#) [RD16A14-12-S6CS051/2](#) [1301240290](#) [1301240347](#) [1301860202](#) [1301240268](#)