

CUSTOMER PRINT

W8882-10PG-5XX

PART NUMBER:

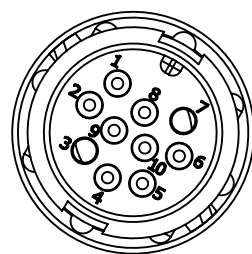
**NOTES:**

- CONTACTS ARE ASSEMBLED INTO CONNECTOR.
- PARTS ARE TO BE BAGGED AS A KIT.
- ALL DIMENSIONS ARE FOR REFERENCE ONLY.

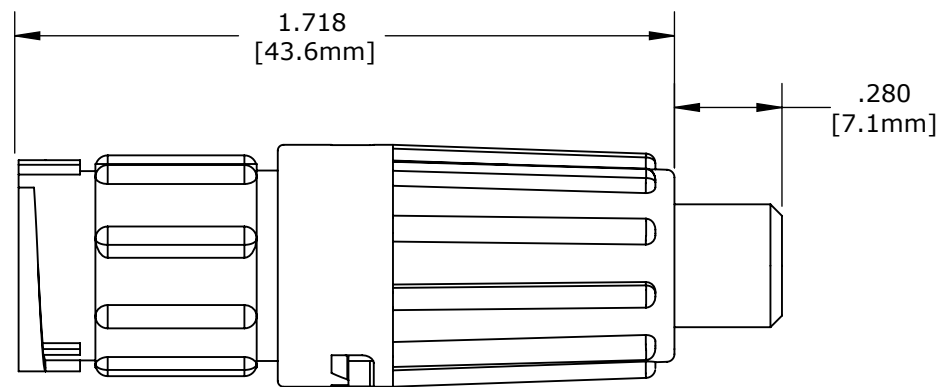
KIT PART NO.	CABLE OD.
X8882-10PG-522	.220-.250 [5.6-6.4mm]
X8882-10PG-528	.265-.285 [6.7-7.2mm]

NO. OF CONTACTS

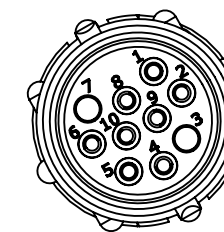
GROMMET SIZES



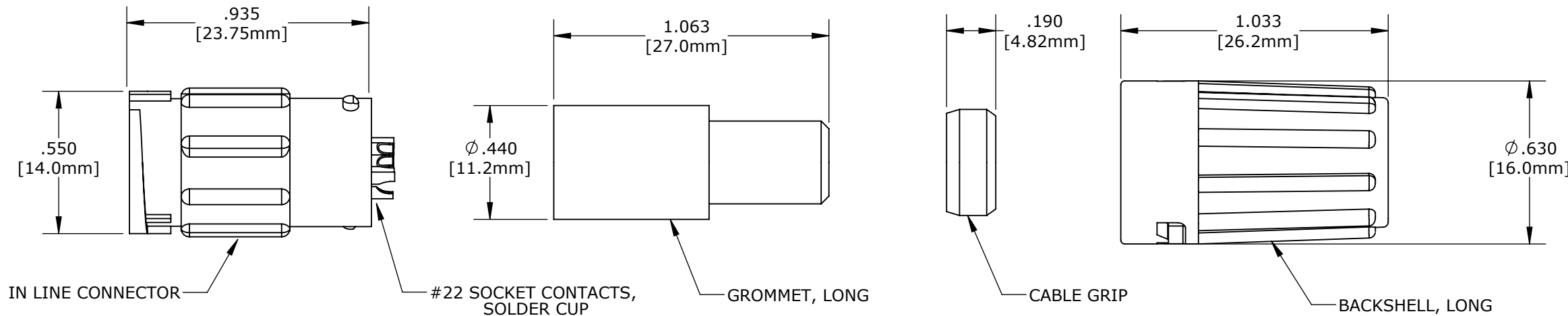
FACE VIEW



ASSEMBLED KIT VIEW  
W8882-10PG-522 SHOWN



WIRE VIEW



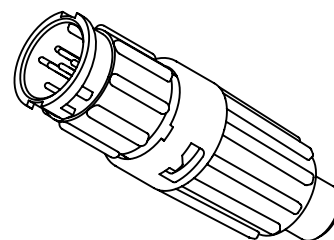
IN LINE CONNECTOR

#22 SOCKET CONTACTS, SOLDER CUP

GROMMET, LONG

CABLE GRIP

BACKSHELL, LONG



ASSEMBLED KIT FOR CUSTOMER REFERENCE

CUSTOMER DRAWING

**CUSTOMER APPROVAL**

THIS DOCUMENT CONTAINS CONFIDENTIAL INFORMATION PROPRIETARY TO CONXALL CORPORATION. ANY REPRODUCTION, DISCLOSURE, OR USE OF THIS DOCUMENT /INFORMATION IS EXPRESSLY PROHIBITED UNLESS AUTHORIZED IN WRITING BY CONXALL CORPORATION.

APPROVED BY: \_\_\_\_\_

DATE: \_\_\_\_\_

0A	AM	04/05/16	PREVIOUS PN WAS X13015-8882-10PG-XXX_REV0A
REV.	INIT.	DATE	DESCRIPTION
	AM	04/05/16	ORIG. DRAWN BY: DATE: AM 04/05/16
ALL INFORMATION ILLUSTRATED IS THE PROPERTY OF "CONXALL CORPORATION." UNAUTHORIZED DUPLICATION OR DISTRIBUTION OF THIS DOCUMENT IS PROHIBITED.			<p>601 E. WILDWOOD VILLA PARK, IL 60181</p>
UNLESS OTHERWISE SPECIFIED TOLERANCES: 3 PLACE DECIMALS ±.005 ANGLES ±1° FRACTIONS ±1/16			
APPROVED BY:			TITLE: IN-LINE CONNECTOR, KIT (10) #22 SOCKET CONTACT, SOLDER MINI-CON-X
SCALE	SIZE	SHEET	CUSTOMER: STANDARD PRODUCT
NTS	B	1 OF 1	
FILE:	DIRECTORY:	PART NUMBER:	REV
	SLW	W8882-10PG-5XX	0A

## X-ON Electronics

Largest Supplier of Electrical and Electronic Components

*Click to view similar products for [Switchcraft](#) manufacturer:*

Other Similar products are found below :

[8382-2PG-3DC](#) [585](#) [6006L](#) [60324L](#) [60KD4M](#) [M444B](#) [MMVP48K175T](#) [MMVP96K3NNT](#) [913DS](#) [12010X](#) [1200](#) [12011](#) [QGPK1CAT5E](#)  
[AAA5FBAUZ](#) [12JL6M](#) [D6MBAU](#) [13033T](#) [13282-18SG-331](#) [13382-10PG-321](#) [DS317](#) [E3FAUQG](#) [E3FDAU](#) [E3FDB](#) [E3FDRAAU](#)  
[E3FDRAB](#) [E3FDSTAU](#) [E3FDSTBAU](#) [E3FRAAUQG](#) [E3FSTB](#) [E3FSTBAU](#) [E3MAU](#) [E3MAUQG](#) [EHFW800X2PKG](#) [160](#) [EMHB](#)  
[MT334B](#) [MT48FNX](#) [EN3C11F26](#) [EN3P3FP](#) [MVP32K1NTX](#) [175](#) [18QA18](#) [18QF18](#) [18QK18](#) [20QD20N4](#) [20QF20](#) [20QF20N2](#) [20QF20N6](#)  
[P10834](#) [P2724](#)